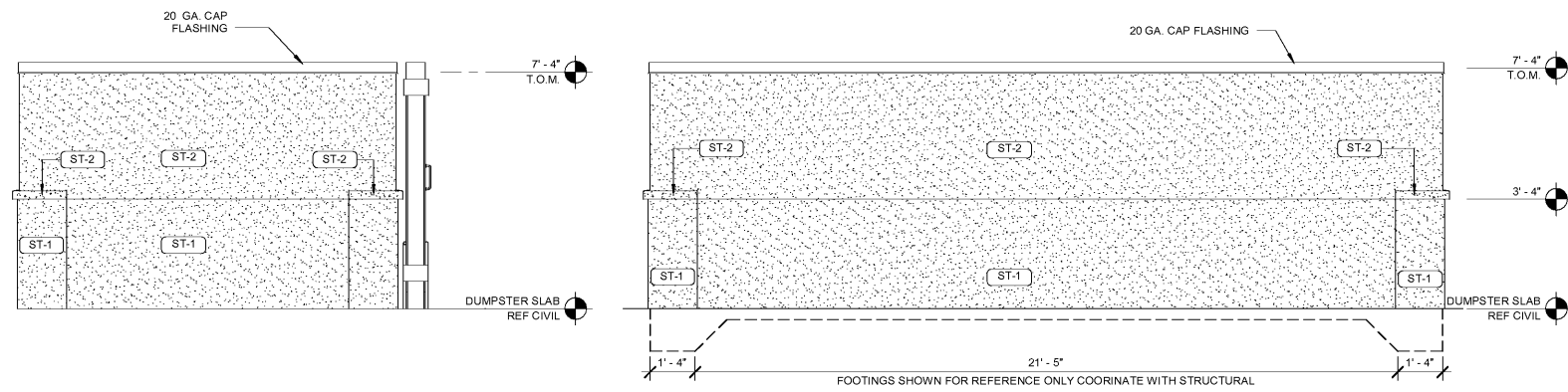


12/19/2017 2:49:45 PM

BIM 360://38227 7-11 Kissimmee, FL @ Carroll St. & Dyer Blvd (17111)/38227 KISSIMMEE FL_Central_A_R16.rvt



9 ELEVATION - DUMPSTER ENCL.
3/8" = 1'-0"

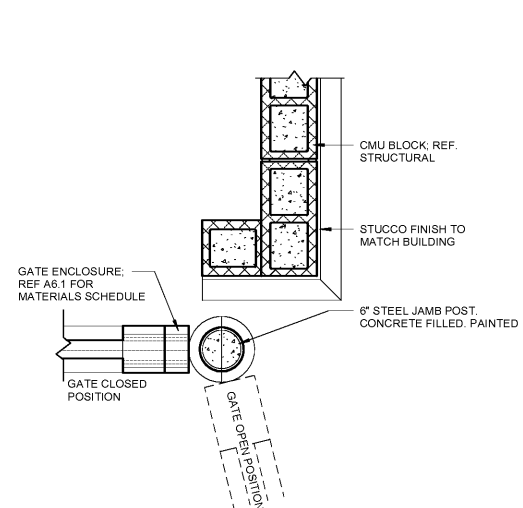
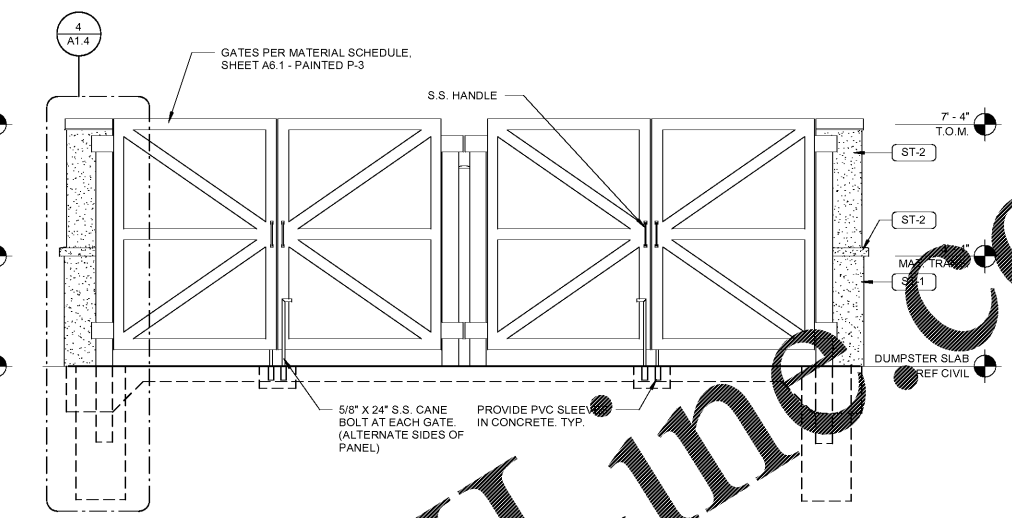
REF. A6.1 FOR EXT. FINISH SCHEDULE

8 REAR ELEVATION DUMPSTER ENCL.
3/8" = 1'-0"

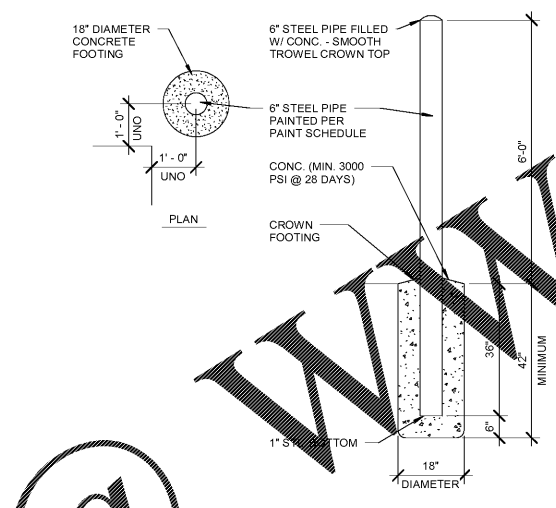
REF. A6.1 FOR EXT. FINISH SCHEDULE

7 GATE ELEVATION DUMPSTER ENCL.
3/8" = 1'-0"

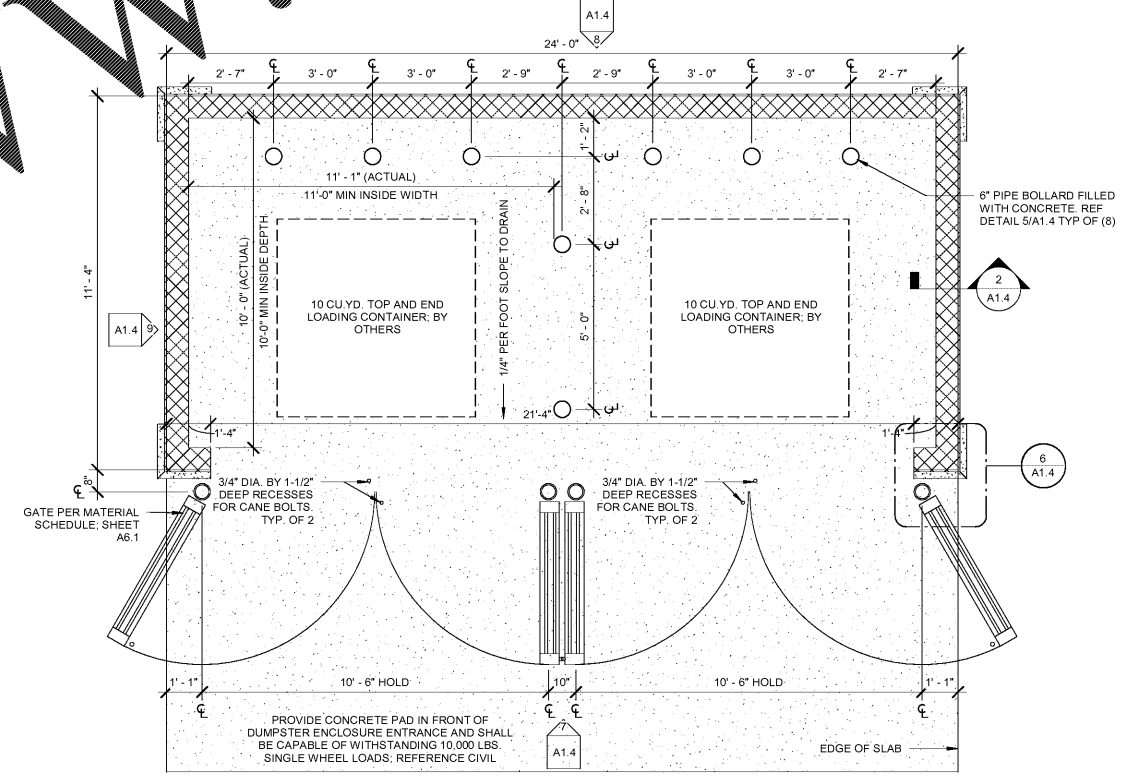
REF. A6.1 FOR EXT. FINISH SCHEDULE



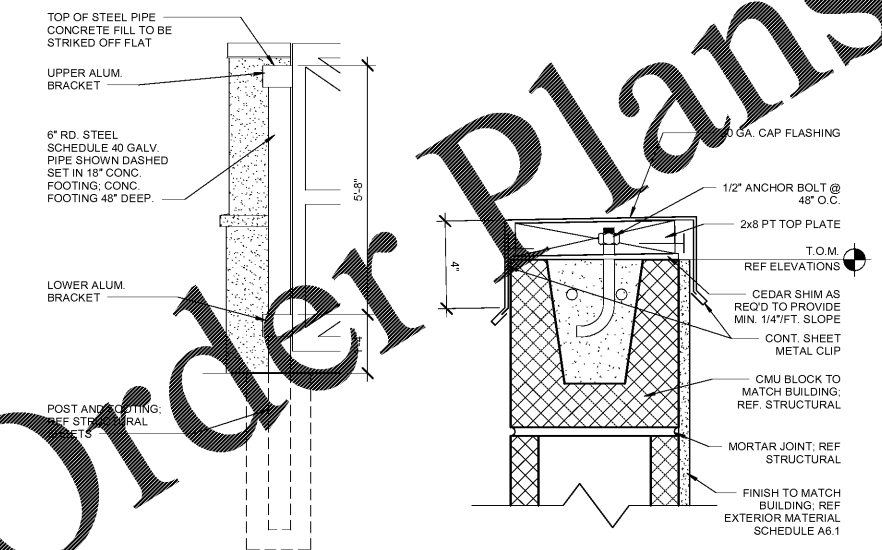
6 DETAIL - GATE
1" = 1'-0"



5 TYPICAL BOLLARD SECTION
1/2" = 1'-0"

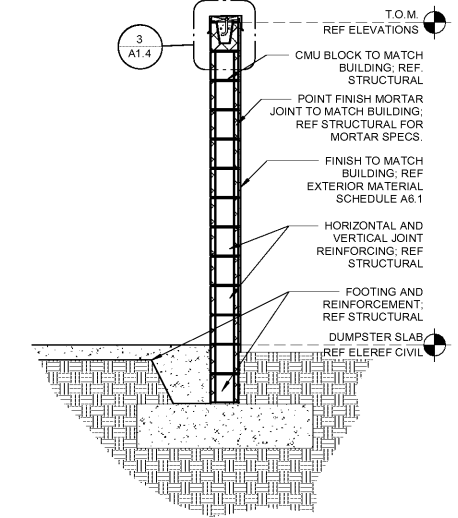


1 DUMPSTER ENCLOSURE PLAN
3/8" = 1'-0"



4 GATE BOLLARD DETAIL
1/2" = 1'-0"

3 COPING DETAIL
3" = 1'-0"



2 WALL SECTION
1/2" = 1'-0"

bates

106 N 37TH STREET, SUITE C
ROGERS, ARKANSAS 72756
WWW.BATESARCHITECTS.COM
TEL: 479.633.1111

Florida Certified Authority #12366

CONSTRUCTION MANAGER
CREIGHTON CONSTRUCTION & MANAGEMENT, LLC
900 SW PINE ISLAND ROAD, SUITE 202
CAPE CORAL, FL 33991

TENANT
7-ELEVEN INC.
3200 HACKBERRY ROAD
IRVING, TX 75063

STRUCTURAL CONSULTANT
SELECT STRUCTURAL
12573 NEW BRITANNY BLVD FORT MYERS, FL 33907

PROTO:08-21-2017

7-ELEVEN STORE
SW CO CARROLL ST. & DYER BLVD.
KISSIMMEE, FL 34741

CREIGHTON CONSTRUCTION & MANAGEMENT, LLC
900 SW PINE ISLAND ROAD, SUITE 202
CAPE CORAL, FL 33991

12/19/2017
Architect Name - RYAN M FAUST
Architect Number - AR97905

THE SEAL AND SIGNATURE APPLY ONLY TO THE DOCUMENT TO WHICH THEY ARE APPLIED AND WE HEREBY DISCLAIM ANY RESPONSIBILITY FOR ALL OTHER PLANS, SPECIFICATIONS, ESTIMATES, REPORTS OR OTHER DOCUMENTS OR INSTRUMENTS RELATING TO OR INTENDED TO BE USED FOR ANY PART OF THE PROJECT.

REVISIONS	
NO.	DESCRIPTION

PROJECT NUMBER: 17111
RELEASE DATE: 12/19/2017

DUMPSTER ENCLOSURE & DETAILS

A1.4