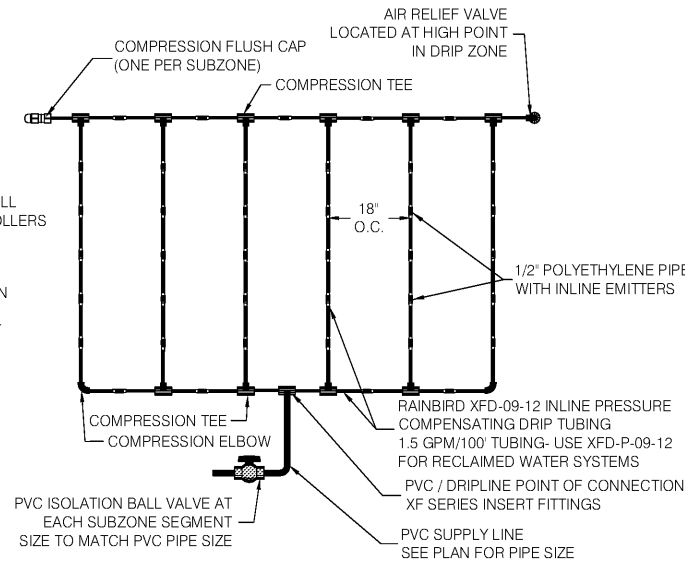
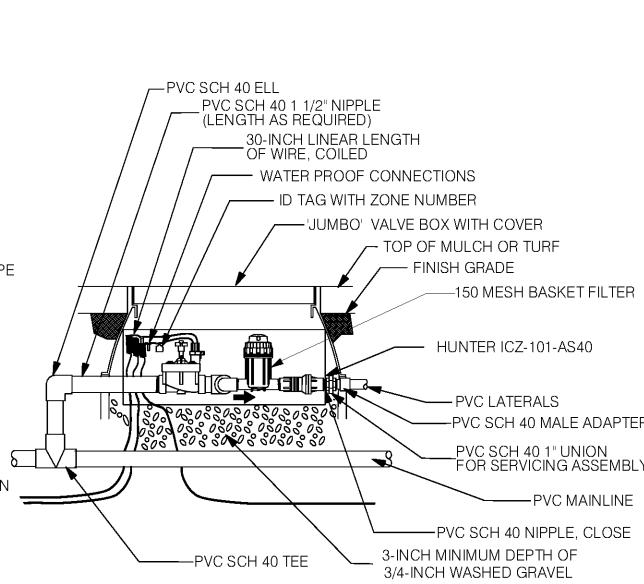


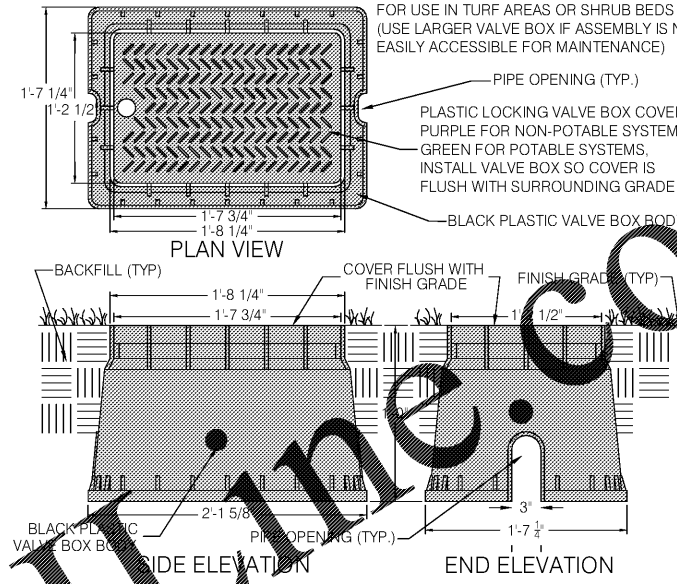
1 IRRIGATION CONTROLLER
LS4 N.T.S.



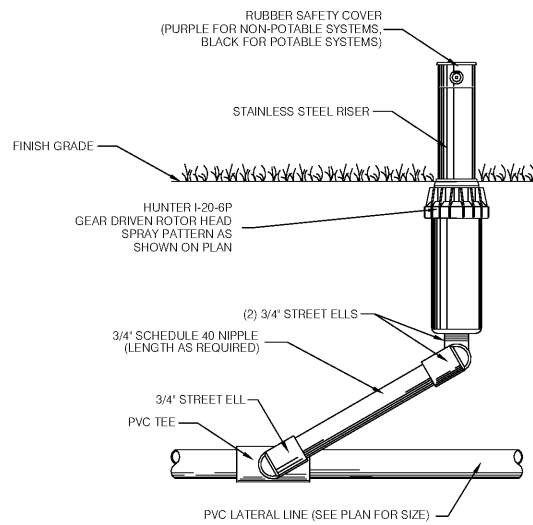
2 DRIP IRRIGATION TUBING LAYOUT
LS4 N.T.S.



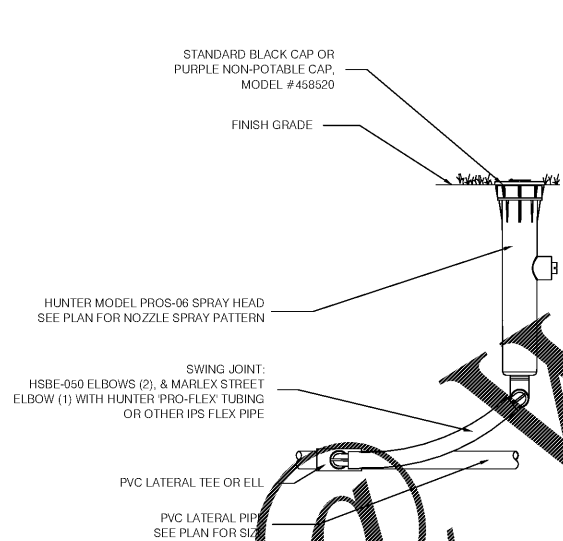
3 DRIP ZONE VALVE
LS4 N.T.S.



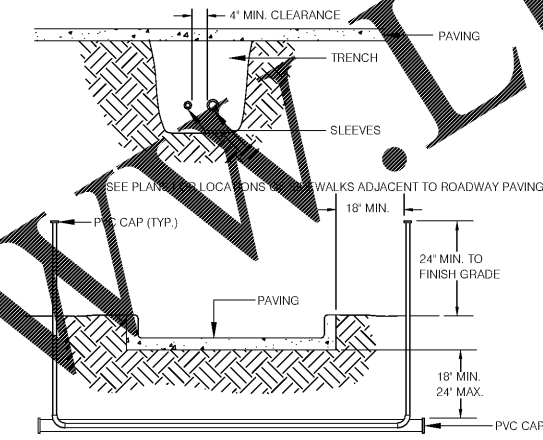
4 JUMBO VALVE BOX DETAIL (DRIP ZONES)
LS4 N.T.S.



5 6" POP-UP ROTOR HEAD- HUNTER I20-6P
LS4 N.T.S.

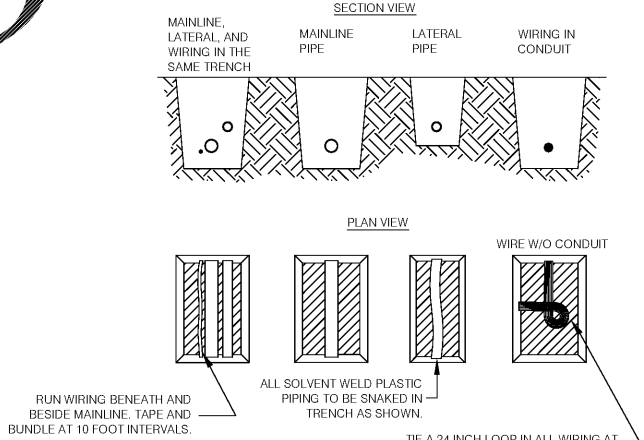


6 6" POP-UP SPRAY HEAD HUNTER PROS-06
LS4 N.T.S.



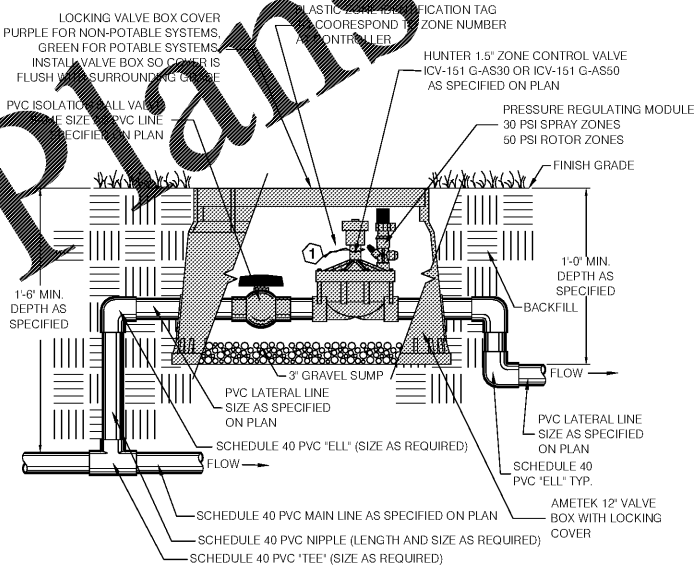
- NOTES:**
1. ALL IRRIGATION SLEEVES TO BE SCHEDULE 40 PVC PIPE.
 2. ALL JOINTS TO BE SOLVENT WELDED AND WATERTIGHT.
 3. WHERE THERE IS MORE THAN ONE SLEEVE, EXTEND THE SMALLER SLEEVE TO 24-INCHES MIN. ABOVE FINISH GRADE.
 4. MECHANICALLY TAMP TO 95% PROCTOR.

7 SLEEVING DETAIL
LS4 N.T.S.

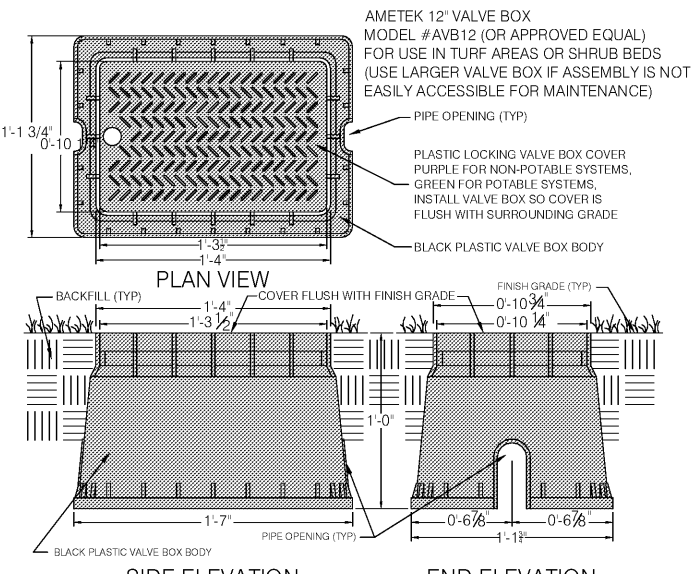


- NOTES:**
1. SLEEVE BELOW ALL HARDSCAPE ELEMENTS WITH SCHEDULE 40 PVC TWICE THE DIAMETER OF THE PIPE OR WIRE BUNDLE WITHIN.
 2. FOR PIPE AND WIRE BURIAL DEPTHS SEE SPECIFICATIONS.

8 PIPE AND WIRE TRENCHING DETAIL
LS4 N.T.S.



9 1 1/2" ZONE CONTROL VALVE
LS4 N.T.S.



10 VALVE BOX DETAIL (SPRAY & ROTOR ZONES)
LS4 N.T.S.

Order Plans



REVISIONS:

1. 10/23/17 DRC COMMENTS
2. 12/27/17 CITY REVIEW COMMENTS
- 3.
- 4.

DRAWN BY: JAZ

DATE: 8/18/17

17040

IRRIGATION DETAILS

LS4

