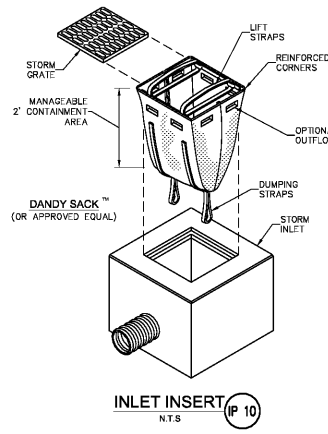
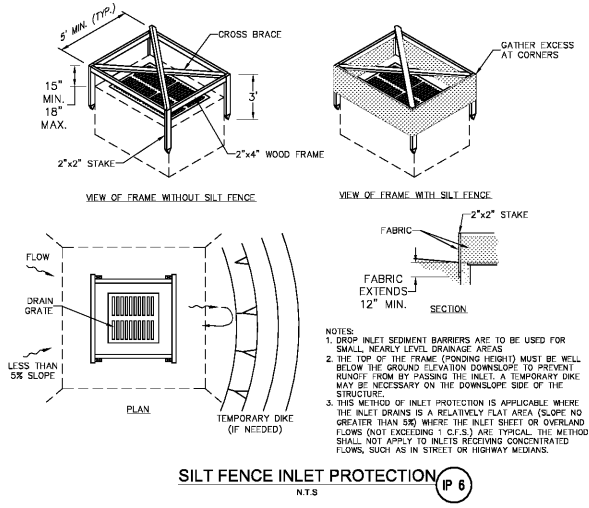
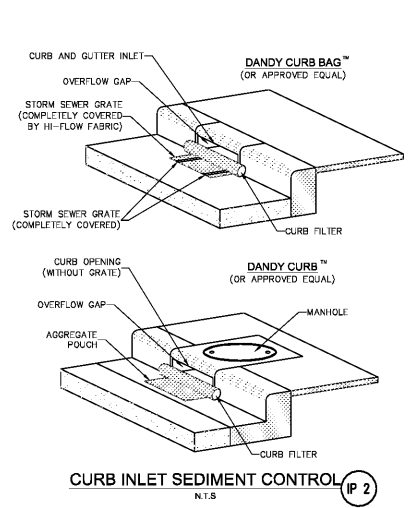


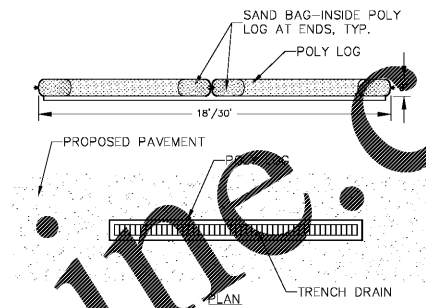
THIS DOCUMENT, TOGETHER WITH THE CONCEPTS AND DESIGNS PRESENTED HEREIN, IS AN INSTRUMENT OF SERVICE, IS RETURNED ONLY FOR THE SPECIFIC PURPOSE AND CLIENT FOR WHICH IT WAS PREPARED. REUSE OF ANY IMPROPER RELIANCE ON THIS DOCUMENT WITHOUT WRITTEN AUTHORIZATION AND ADAPTATION BY BOWMAN CONSULTING SHALL BE WITHOUT LIABILITY TO BOWMAN CONSULTING.



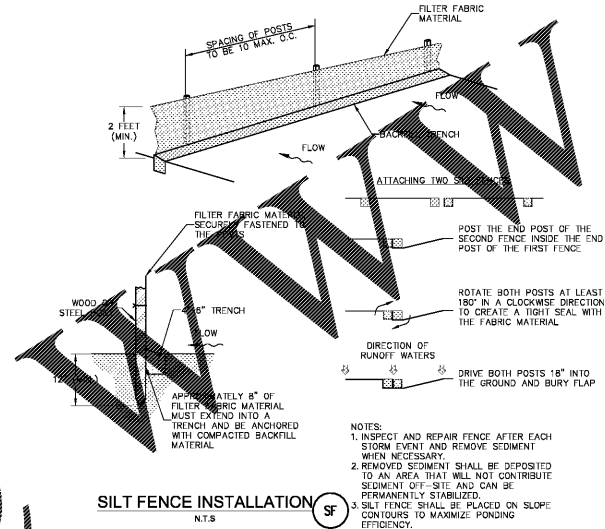
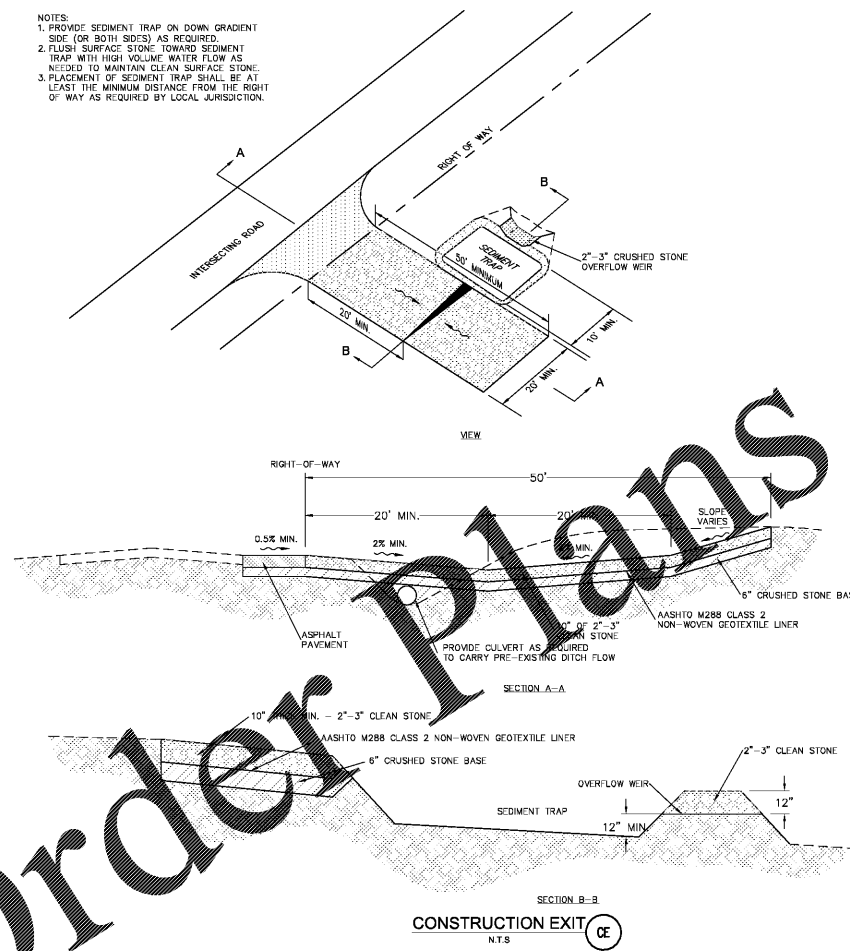
PROPERTIES	TEST METHOD	UNITS
GRAB TENSILE STRENGTH	ASTM D-4632	300 LBS
GRAB TENSILE ELONGATION	ASTM D-4632	20 %
PUNCTURE	ASTM D-4633	120 LBS
MULLEN BURST	ASTM D-3786	800 PSI
TRAPEZOID TEAR	ASTM D-4633	120 LBS
UV RESISTANCE	ASTM D-4355	90 %
APPARENT OPENING SIZE	ASTM D-4751	40 US SIEVE
FLOW RATE	ASTM D-4491	40 GAL/MIN/SQ FT
PERMITTIVITY	ASTM D-4491	0.55 SEC -1

PROPERTIES	TEST METHOD	UNITS
GRAB TENSILE STRENGTH	ASTM D-4632	285 LBS
GRAB TENSILE ELONGATION	ASTM D-4632	20 %
PUNCTURE	ASTM D-4633	135 LBS
MULLEN BURST	ASTM D-3786	420 PSI
TRAPEZOID TEAR	ASTM D-4633	45 LBS
UV RESISTANCE	ASTM D-4355	90 %
APPARENT OPENING SIZE	ASTM D-4751	20 US SIEVE
FLOW RATE	ASTM D-4491	200 GAL/MIN/SQ FT
PERMITTIVITY	ASTM D-4491	1.5 SEC -1

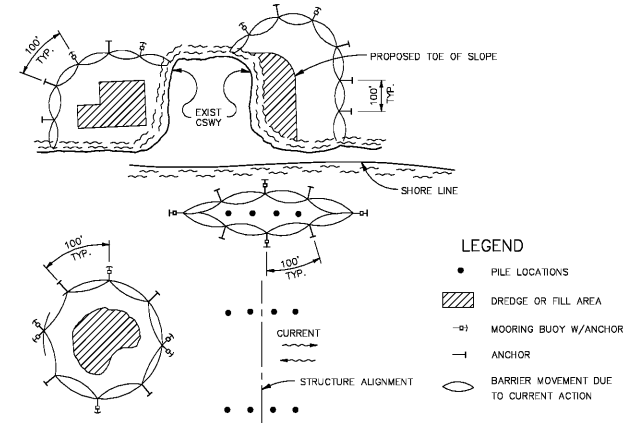
- NOTES:
 1. FOR TEMPORARY USE TO CAPTURE LARGER DIAMETER SEDIMENTS.
 2. NOT TO BE UTILIZED AS THE ONLY SEDIMENT CONTAINMENT SYSTEM.
 3. GEOTEXTILE WILL BE A WOVEN POLYPROPYLENE FABRIC THAT MEETS OR EXCEEDS REQUIREMENTS IN THE SPECIFICATIONS TABLE.
 4. AN OIL ADSORBENT PAD OR PELLOW CAN BE PURCHASED WHEN OIL SPILLS ARE A CONCERN.
 5. INSPECT PER REGULATORY REQUIREMENTS.



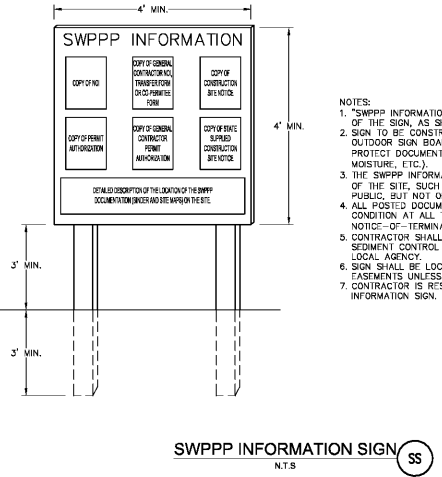
- NOTES:
 1. STANDARD LENGTHS ARE 9 AND 15 FEET.
 2. DIAMETER OF POLY LOG IS 9"
 3. YELLOW-COLORED PVC MESH POROUS SLEEVE FILLED WITH DEGRADABLE RECYCLED POLYPROPYLENE MATERIAL.
 4. COMBINE POLY LOGS FOR NEEDED LENGTHS OR LONG RUNS.



- NOTES:
 1. INSPECT AND REPAIR FENCE AFTER EACH STORM EVENT AND REMOVE SEDIMENT WHEN NECESSARY.
 2. REMOVED SEDIMENT SHALL BE DEPOSITED TO AN AREA THAT WILL NOT CONTRIBUTE SEDIMENT OFF-SITE AND CAN BE PERMANENTLY STABILIZED.
 3. SILT FENCE SHALL BE PLACED ON SLOPE CONTIGUOUS TO MAXIMIZE PONDING EFFICIENCY.
 4. ROTATE BOTH POSTS AT LEAST 180° IN A CLOCKWISE DIRECTION TO CREATE A TIGHT SEAL WITH THE FABRIC MATERIAL.
 5. DRIVE BOTH POSTS 18" INTO THE GROUND AND BURY FLAP.



- NOTES:
 1. TURBIDITY BARRIERS ARE TO BE USED IN ALL PERMANENT BODIES OF WATER REGARDLESS OF WATER DEPTH.
 2. NUMBER AND SPACING OF ANCHORS DEPENDENT ON CURRENT VELOCITIES.
 3. DEPLOYMENT OF BARRIER AROUND PILE LOCATIONS MAY VARY TO ACCOMMODATE CONSTRUCTION OPERATIONS.
 4. NAVIGATION MAY REQUIRE SEGMENTING BARRIER DURING CONSTRUCTION OPERATIONS.
 5. FOR ADDITIONAL INFORMATION SEE SECTION 104 OF THE STANDARD SPECIFICATIONS.



- NOTES:
 1. "SWPPP INFORMATION" MUST BE DISPLAYED PROMINENTLY ACROSS THE TOP OF THE SIGN, AS SHOWN IN THE DETAIL.
 2. SIGN TO BE CONSTRUCTED OF A RIGID MATERIAL, SUCH AS PLYWOOD OR OUTDOOR SIGN BOARD. SIGN MUST BE CONSTRUCTED IN A MANNER TO PROTECT DOCUMENTS FROM DAMAGE DUE TO WEATHER (WIND, SUN, MOISTURE, ETC.).
 3. THE SWPPP INFORMATION SIGN MUST BE LOCATED NEAR THE ENTRANCE/EXIT OF THE SITE, SUCH THAT IT IS ACCESSIBLE/VIEWABLE BY THE GENERAL PUBLIC, BUT NOT OBSTRUCTING MEANS AS TO CAUSE A SAFETY HAZARD.
 4. ALL POSTED DOCUMENTS MUST BE MAINTAINED IN A CLEARLY READABLE CONDITION AT ALL TIMES THROUGHOUT CONSTRUCTION AND UNTIL THE NOTICE-OF-TERMINATION (NOT) IS FILED FOR THE PERMIT.
 5. CONTRACTOR SHALL POST OTHER STORM WATER AND/OR EROSION AND SEDIMENT CONTROL RELATED PERMITS ON THE SIGN AS REQUIRED BY THE LOCAL AGENCY.
 6. SIGN SHALL BE LOCATED OUTSIDE OF PUBLIC RIGHT-OF-WAY AND FASMENTS UNLESS APPROVED BY THE GOVERNING AGENCY.
 7. CONTRACTOR IS RESPONSIBLE FOR ENSURING STABILITY OF THIS SWPPP INFORMATION SIGN.

Order Plans @

www.ldilline.com

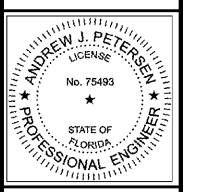
Bowman
CONSULTING

Certificate of Authorization License No. 3842

Bowman Consulting Group, Ltd.
 4450 W. Eau Gallie Blvd
 Suite 232
 Melbourne, FL 32934
 Phone: (321) 256-5434
 Fax: (321) 256-7751
 www.bowmanconsulting.com
 © Bowman Consulting Group, Ltd.

FLORIDA
 OSCEOLA COUNTY

EROSION CONTROL DETAILS
 KISSIMMEE 7-ELEVEN #38227
 SW C/O CARROLL ST. AND DYER BLVD.
 KISSIMMEE, FL 34741



ANDREW J. PETERSEN LICENSE NO. 75493		
PLAN STATUS		
DATE	DESCRIPTION	
AW DESIGN	EC	AJP
	DRAWN	CHKD
SCALE: NONE		
JOB No. 010063-02-087		
DATE: 01/03/2018		
FILE: 010063-02-02-CP-087-04-ES1.0-ESP.dwg		
SHEET ES2.0		



DRC #17-00138