

12/19/2017 1:36:36 PM

E

D

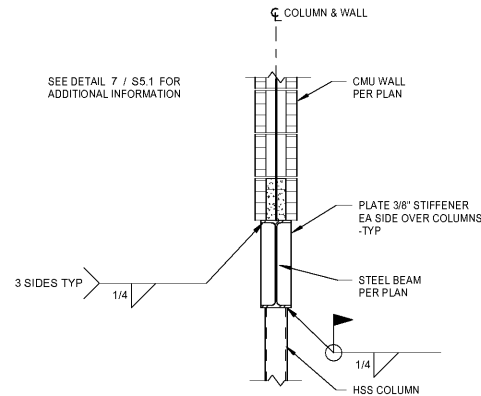
C

B

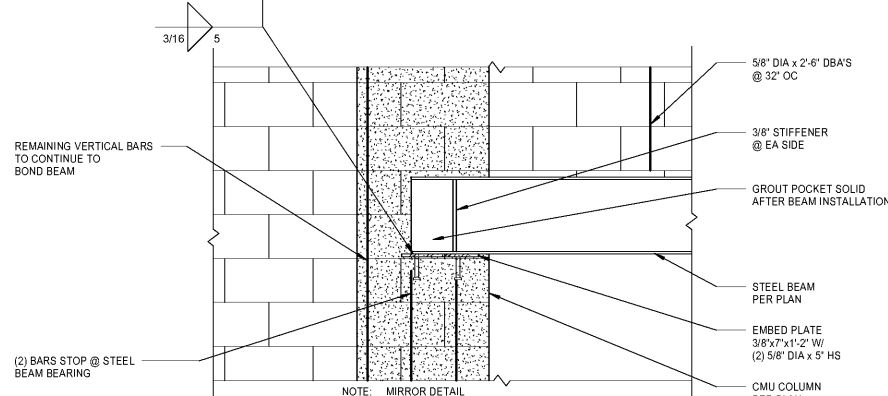
A

P:\01 Projects\2017 Projects\17645 7 Eleven Kissimmee at Carrill 7 Dyer\Drawings\Working Drawings\17645_7 Eleven Kissimmee R16.rvt

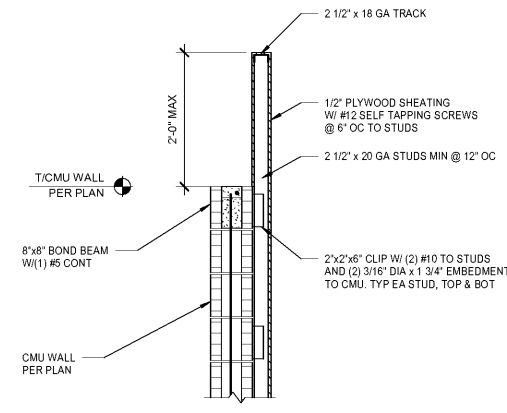
SEE DETAIL 7 / S5.1 FOR ADDITIONAL INFORMATION



1 HSS TO STEEL BEAM CONNECTION
3/4" = 1'-0"



2 BEAM SEAT DETAIL
3/4" = 1'-0"



3 PARAPET DETAIL
3/4" = 1'-0"



SELECT STRUCTURAL
12573 New Brittany Blvd
Fort Myers, Florida 33907
Phone: (239) 210-5090
info@selectstructural.com
Certification Auth. 28357

bates

106 N 37TH STREET, SUITE C
ROGERS, ARKANSAS 72756
WWW.BATESDIRECT.COM
TEL: 479.633.8888

Copyright © 2017 by Bates & Associates, Inc. All rights reserved. This drawing is the property of Bates & Associates, Inc. and shall remain the property of Bates & Associates, Inc. No part of this drawing may be reproduced, stored in a retrieval system, or transmitted in any form or by any means, electronic, mechanical, photocopying, recording, or by any information storage and retrieval system, without the prior written permission of Bates & Associates, Inc. The user of this drawing shall be responsible for obtaining all necessary permits and for safety precautions and for any other matters in connection with the project.

STORE #:
30227

CONSTRUCTION MANAGER
CREIGHTON CONSTRUCTION & MANAGEMENT, LLC
900 SW PINE ISLAND ROAD, SUITE 202
CAPE CORAL, FL 33991

TENANT
7-ELEVEN INC.
3200 HACKBERRY ROAD,
IRVING, TX 75063

STRUCTURAL CONSULTANT
SELECT STRUCTURAL
12573 NEW BRITANNY BLVD
FORT MYERS, FL 33907

7-ELEVEN STORE
SW/O CARROL ST. & DYER BLVD.
KISSIMMEE, FL 34741

CREIGHTON CONSTRUCTION & MANAGEMENT, LLC
900 SW PINE ISLAND ROAD, SUITE 202
CAPE CORAL, FL 33991

Engineer Name - SHAWN ANDERSON
Engineer Number - 53515

THE SEAL AND SIGNATURE APPLY ONLY TO THE DOCUMENT TO WHICH THEY ARE AFFIXED AND WE HEREBY DISCLAIM ANY RESPONSIBILITY FOR ALL OTHER PLANS, SPECIFICATIONS, ESTIMATES, REPORTS OR OTHER DOCUMENTS OR INSTRUMENTS RELATING TO OR INTENDED TO BE USED FOR ANY PARTS OR PORTIONS OF THE PROJECT.

REVISIONS	
NO.	DESCRIPTION

PROJECT NUMBER: 17111
RELEASE DATE: 12/19/2017

DETAILS & SECTIONS

S5.2

THIS ITEM HAS BEEN ELECTRONICALLY SIGNED AND SEALED USING A DIGITAL SIGNATURE
PRINTED COPIES OF THIS DOCUMENT ARE NOT CONSIDERED SIGNED AND SEALED AND THE SIGNATURE MUST BE VERIFIED ON ANY ELECTRONIC COPIES.

Order Plans @ www.LDILine.com