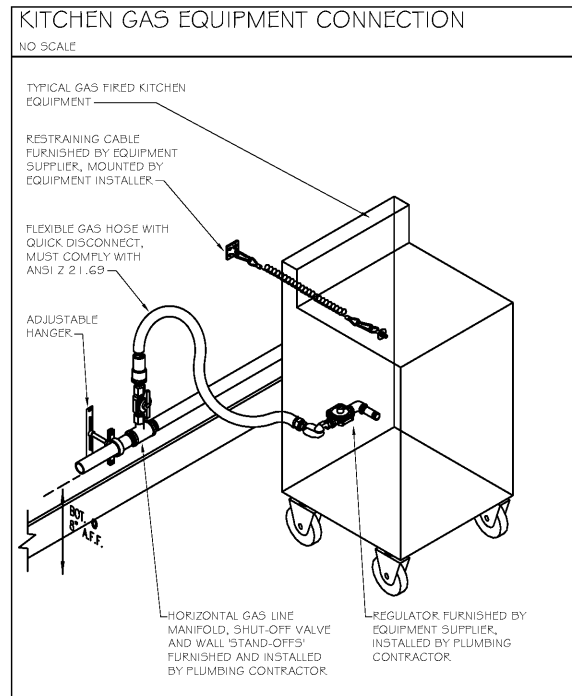


Order Plans @



PLUMBING FIXTURE SCHEDULE

MARK	DESCRIPTION	WASTE RUNOUT	WASTE CONN.	VENT	WATER RUNOUT		WATER CONN.		SPECIFICATION
					CW	HW	CW	HW	
L-1	LAVATORY (ADA) - WALL HUNG	2"	1/2"	2"	1/2"	1/2"	3/8"	3/8"	WALL HUNG LAVATORY (AMERICAN STANDARD "LUCIFER" 10355-01-2) WITH CONCEALED ARM CARRIER MOUNTING. PROVIDE 0.5GPM SINGLE HANDLE FAUCET WITH POLISHED CHROME FINISH (DELTA 501LF-HGMHD). HANICAP DRAIN OFFSET W/GRIP DRAIN (ZURN Z8746-PC) AND CHROME PLATED P-TRAP (ZURN Z8701-PC). CHROME PLATED BRASS ANGLE SUPPLY STOPS WITH 1/2" LONG X 3/8" FLEX SUPPLIES (MCGUIRE H165). REGULATE OFFSET, TRAP AND SUPPLY LINES (TRUEBRO "LAWGUARD" #105 E-Z). PROVIDE MIXING VALVE TO TEMPER HOT WATER TO 110 DEGREES (LAWLER TMM, ASSE 1070, LEAD FREE).
L-2	LAVATORY (ADA) - UNDERMOUNT	2"	1/2"	2"	1/2"	1/2"	3/8"	3/8"	UNDERMOUNT LAVATORY (AMERICAN STANDARD "VALVYN" 0486 2211) AND 0.5GPM SINGLE HANDLE FAUCET WITH POLISHED CHROME FINISH (DELTA 501LF-HGMHD). HANICAP DRAIN OFFSET W/GRIP DRAIN (ZURN Z8746-PC) AND CHROME PLATED P-TRAP (ZURN Z8701-PC). CHROME PLATED BRASS ANGLE SUPPLY STOPS WITH 1/2" LONG X 3/8" FLEX SUPPLIES (MCGUIRE H165). WHERE NOT CONCEALED BY COUNTER SPROUD, INSULATE OFFSET, TRAP AND SUPPLY LINES (TRUEBRO "LAWGUARD" #105 E-Z). PROVIDE MIXING VALVE TO TEMPER HOT WATER TO 110 DEGREES (LAWLER TMM, ASSE 1070, LEAD FREE).
WC-1	WATER CLOSET - TANK TYPE	4"	3"	2"	1/2"	---	1/2"	---	FLOOR MOUNTED, ELONGATED TANK TYPE WATER CLOSET (AMERICAN STANDARD "CADET PRO" 118CA-104), 1.28 GPF, WHITE VITREOUS CHINA, GRAVITY FED FLUSH ACTION, 15" OF RIM AT 15" AFF. HIGH EFFICIENCY "WATERSENSE" LISTED. PROVIDE ALTERNATE TANK CONNECTION (2150-005) WITH TRIP LEVER ON RIGHT HAND SIDE. NECESSARY TO HAVE LEVER ON MOST ACCESSIBLE SIDE OF WATER CLOSET. HEAVY DUTY FRONT PANEL WITH LESS COVER. SELF-SUSTAINING CHECK RING (BEMIS 10550). CHROME PLATED BRASS ANGLE SUPPLY STOP WITH 1/2" LONG X 3/8" FLEX SUPPLY (MCGUIRE H166).
WC-2	WATER CLOSET (ADA) - TANK TYPE	4"	3"	2"	1/2"	---	1/2"	---	FLOOR MOUNTED, ELONGATED TANK TYPE WATER CLOSET (AMERICAN STANDARD "CADET PRO" 118CA-104), 1.28 GPF, WHITE VITREOUS CHINA, GRAVITY FED FLUSH ACTION, 15" OF RIM AT 15" AFF. HIGH EFFICIENCY "WATERSENSE" LISTED. PROVIDE ALTERNATE TANK CONNECTION (2150-005) WITH TRIP LEVER ON RIGHT HAND SIDE. NECESSARY TO HAVE LEVER ON MOST ACCESSIBLE SIDE OF WATER CLOSET. HEAVY DUTY FRONT PANEL WITH LESS COVER. SELF-SUSTAINING CHECK RING (BEMIS 10550). CHROME PLATED BRASS ANGLE SUPPLY STOP WITH 1/2" LONG X 3/8" FLEX SUPPLY (MCGUIRE H166).
UR-1	URINAL - HIGH EFFICIENCY, WALL MOUNTED W/FLUSH VALVE	2"	2"	2"	3/4"	---	3/4"	---	WALL MOUNTED FLUSH VALVE URINAL (AMERICAN STANDARD "WASHERBROOK" 6590-001), WHITE VITREOUS CHINA, HIGH EFFICIENCY "WATERSENSE" LISTED. PROVIDE ZURN 1222 SUPPORT SYSTEM. COORDINATE MOUNTING HEIGHTS AND ADA DESIGNATIONS WITH ARCHITECTURAL DRAWINGS. PROVIDE CHROME PLATED URINAL FLOWMETER, 0.5 GPF PERMENT (AMERICAN STANDARD "FLOWISE" 6048-051-002).
FD-1	FLOOR DRAIN - GENERAL PURPOSE	3"	3"	---	---	---	---	---	GENERAL PURPOSE FLOOR DRAIN (J.R. SMITH #2005) WITH FLASHING COLLAR, ADJUSTABLE STRAINER HEAD & 5" ROUND NICKEL BRONZE STRAINER. PROVIDE SQUARE STRAINER FOR TILE APPLICATIONS. WHERE TRAP PRIMER IS SHOWN ON PLAN, PROVIDE TRAP PRIMER CONNECTION (-P060).
FD-2	FLOOR DRAIN - KITCHEN	3"	3"	2"	---	---	---	---	KITCHEN AREA DRAIN (J.R. SMITH #2005) WITH FLASHING COLLAR, ADJUSTABLE STRAINER HEAD & 7" ROUND NICKEL BRONZE STRAINER. PROVIDE SQUARE STRAINER FOR TILE APPLICATIONS.
FS-1	FLOOR SINK	3"	3"	---	---	---	---	---	CAST IRON FLOOR SINK WITH ACID RESISTANT COATED INTERIOR AND BOTTOM DOME STRAINER (J.R. SMITH 3140), 6" DEEP. COORDINATE 1/2" OR 3/4" GRATE WITH INDIRECT WASTE PIPING.
FCO	FLOOR CLEANOUT	see plan	see plan	---	---	---	---	---	FLOOR CLEANOUT WITH CAST IRON BODY AND ADJUSTABLE NICKEL BRONZE TOP (J.R. SMITH 4231). CLEANOUT SIZE SHALL MATCH LINE SIZE.
GCO	EXTERIOR GRADE CLEANOUT	see plan	see plan	---	---	---	---	---	HEAVY DUTY CLEANOUT FOR EXTERIOR APPLICATION (J.R. SMITH 4261). CAST IRON BODY WITH DOUBLE FLANGED HOUSING AND CAST IRON TOP.
MV-1	MIXING VALVE (POINT-OF-USE)	---	---	---	1/2"	1/2"	3/8"	3/8"	POINT-OF-USE THERMOSTATIC MIXING VALVE (WATTS LFMV-M1) WITH TEMPERATURE ADJUSTMENT KNOB. LEAD FREE. ASSE STANDARD 1070.
BP-1	BACKFLOW PREVENTER (GENERAL CHECK)	---	---	---	see plan	---	see plan	---	DOUBLE CHECK BACKFLOW PREVENTER WITH TWO POSITIVE SEATING CHECK MODULES AND TEST COCKS (WATTS LFP07). LEAD FREE. ASSEMBLY SHALL INCLUDE TWO ISOLATION VALVES AND STRAINER. CONFORMS TO ASSE STANDARD 1015.
BP-2	BACKFLOW PREVENTER (BEVERAGE DISPENSER)	---	---	---	1/2"	---	1/2"	---	DOUBLE CHECK BACKFLOW PREVENTER WITH ATMOSPHERIC VENT AND INTEGRAL STRAINER. LEAD FREE. FOR 3/8" EQUIPMENT CONNECTIONS, PROVIDE WATTS SD-3 (ASSE 1022). FOR 1/2" OR GREATER EQUIPMENT CONNECTIONS, PROVIDE WATTS LFP09-QT (ASSE 1015).
---	LAVATORY TRAP PRIMER SYSTEM WITH P-TRAP AND 1/2" PRIME TUBE WITH WALL ESCUTCHEON (J.R. SMITH "PRIME-EZE"). ASSE STANDARD 1044.	1/2"	1/2"	---	---	---	---	---	
AAV-1	AIR ADMITTANCE VALVE	---	---	see plan	---	---	---	---	STUDOR "AIRI" VENT, MODEL #2030 OR "AIRI VENT" MODEL #20302. IN ACCORDANCE WITH SIZE INDICATED ON PLANS. AAV SHALL BE LOCATED A MINIMUM 4' ABOVE THE HORIZONTAL BRANCH.
WHA-X	WATER HAMMER ARRESTOR	---	---	---	see plan	---	see plan	---	WATER HAMMER ARRESTOR (J.R. SMITH SERIES 5005-5050), 1/4" SIZE AS INDICATED ON DRAWINGS.
ET-1	POTABLE WATER EXPANSION TANK	---	---	---	3/4"	---	3/4"	---	LEAD-FREE POTABLE WATER EXPANSION TANK (WATTS PWT-5). 2.1 GALLONS TOTAL VOLUME, 0.8 GALLONS MAXIMUM ACCEPTANCE VOLUME.

INSTANTANEOUS GAS WATER HEATER SCHEDULE

MARK	INPUT	CAPACITY	SETPOINT	EFFICIENCY	ELECTRICAL	BASIS
IWH-1	199,000 BTU	4.2 GPM @ 90° RISE	140°	96 %	120V CONTROL	RPHAI RUC954H
IWH-2	199,000 BTU	4.2 GPM @ 90° RISE	140°	96 %	120V CONTROL	RPHAI RUC954H

PROFICIENT ENGINEERING
6991 Peachtree Industrial Blvd Building 700
Norcross, Georgia 30092
404.579.4735
PROJECT # 117554

PLACE MAKER DESIGN

REV #	DATE	DESCRIPTION

REFORMATION BREWERY

105 ELMSTREET
WOODSTOCK, GEORGIA 30188

REFORMATION BREWERY

GEORGIA REGISTERED PROFESSIONAL ENGINEER
W. M. ROEDER

This document and all information contained within it is copyrighted by Place Maker Design and may not be copied or used without permission.

PLACE MAKER DESIGN
1000 CIRCLE 75 PARKWAY
SUITE 400
ATLANTA, GEORGIA 30339
404.549.4499

ISSUE DATE: 10/29/17
DRAWN BY: CAJD
CHECKED BY: MK
PMD PROJ #: 17072

SHEET # **P0.3**