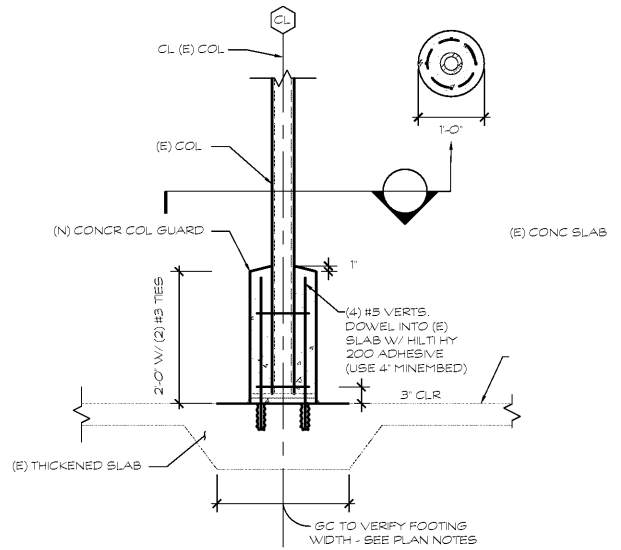
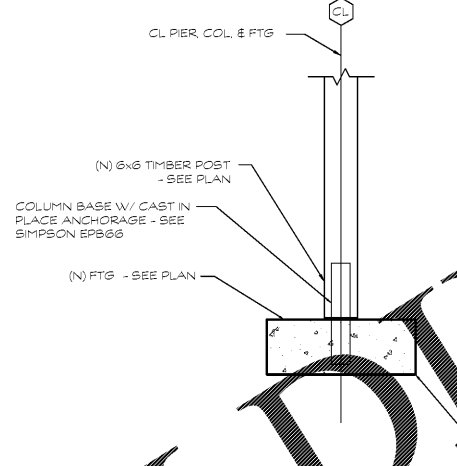


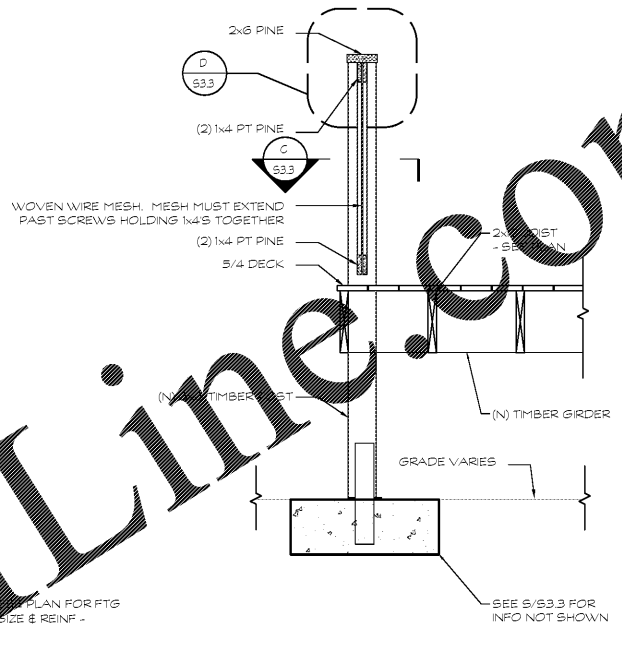
1 SECTION
SCALE 3/4"=1'-0"



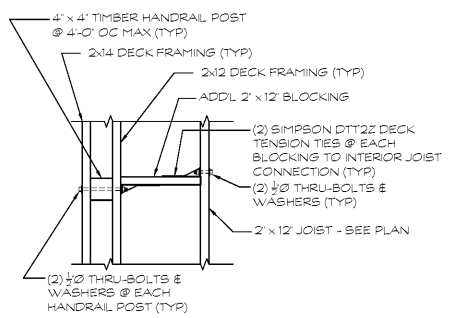
2 SECTION
SCALE 3/4"=1'-0"



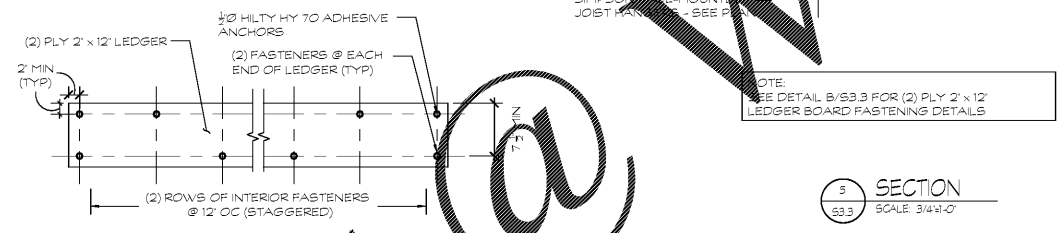
3 SECTION
SCALE 3/4"=1'-0"



4 SECTION
SCALE 3/4"=1'-0"

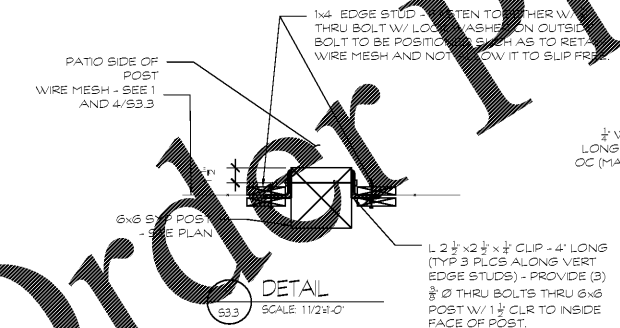


A DETAIL
SCALE 3/4"=1'-0"

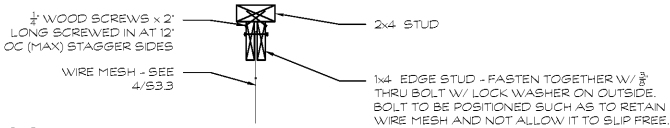


5 SECTION
SCALE 3/4"=1'-0"

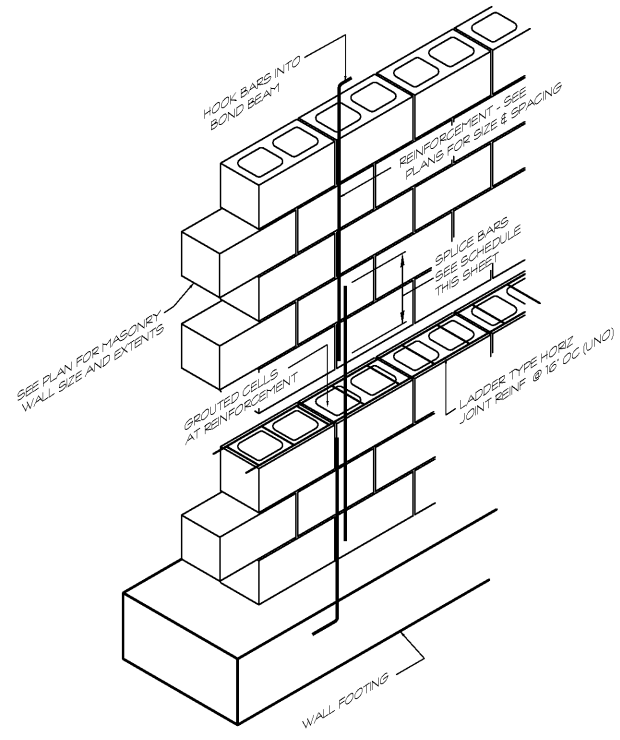
NOTE: SEE DETAIL B/53.3 FOR (2) PLY 2" x 12" LEDGER BOARD FASTENING DETAILS



B DETAIL
SCALE 1 1/2"=1'-0"



D SECTION
SCALE 1 1/2"=1'-0"



6 TYPICAL DETAIL OF LOW-LIFT REINFORCED MASONRY CONSTRUCTION
SCALE NTS

REINFORCING LAP LENGTH SCHEDULE

BAR SIZE	LAP LENGTH
#4	2'
#5	26" (8" CMU)
#6	43"

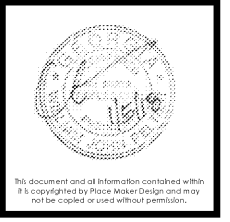
* LAP LENGTHS APPLY TO 8" OR 12" CMU WITH REINFORCING CENTERED IN CELL (UNO).

- LOW LIFT GROUTING PROCEDURE
1. CONSTRUCT WALL TO HEIGHT OF 5'-0". ALLOW MORTAR TO SET SUFFICIENTLY TO WITHSTAND GROUT PRESSURE.
 2. INSPECT UNITS FOR ALIGNMENT. CLEAN OUT CELLS TO BE FILLED.
 3. FILL CELLS TO 1 1/2" BELOW TOP COURSE.
 4. DELAY 3 TO 5 MINUTES PRIOR TO CONSOLIDATING TO ALLOW WATER TO BE ABSORBED BY MASONRY.



REV #	DATE	DESCRIPTION

REFORMATION BREWERY
105 LEMISTREET
WOODSTOCK, GEORGIA 30188
REFORMATION BREWERY



PLACE MAKER DESIGN
1000 CIRCLE 75 PARKWAY
SUITE 400
ATLANTA, GEORGIA 30339
404.549.4499

ISSUE DATE	12/22/17
DRAWN BY	
CHECKED BY	
PMD PROJ #	17072

SECTIONS AND DETAILS

SHEET # S3.3

Order Plans @