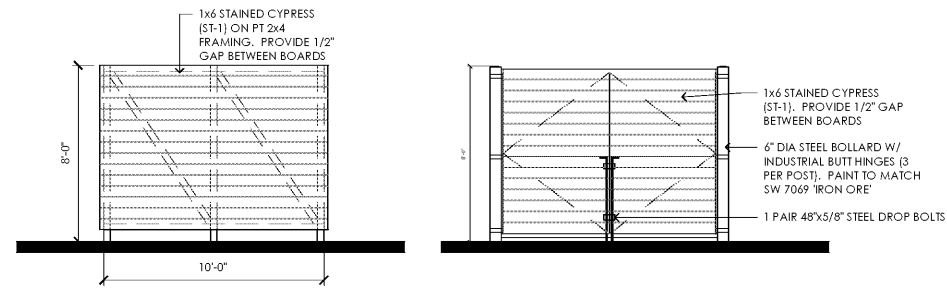
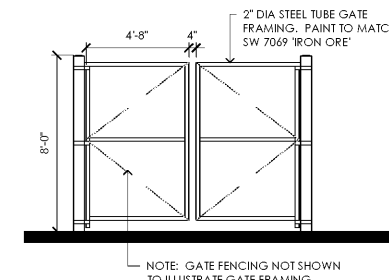


02 DUMPSTER ENCLOSURE PLAN
A0.1 1/4" = 1'-0"

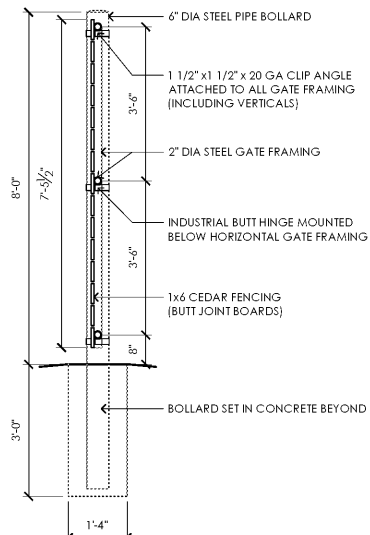


03 DUMPSTER ENCLOSURE ELEV A0.1 1/4" = 1'-0"
04 DUMPSTER ENCLOSURE ELEV (CLOSED GATES) A0.1 1/4" = 1'-0"

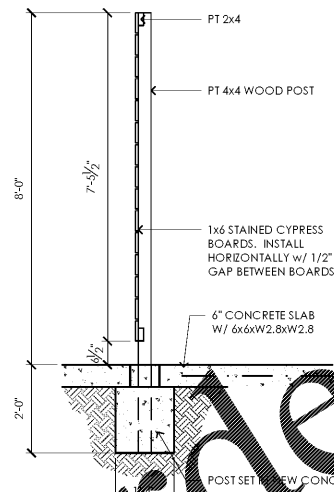


05 DUMPSTER ENCLOSURE GATE FRAMING
A0.1 1/4" = 1'-0"

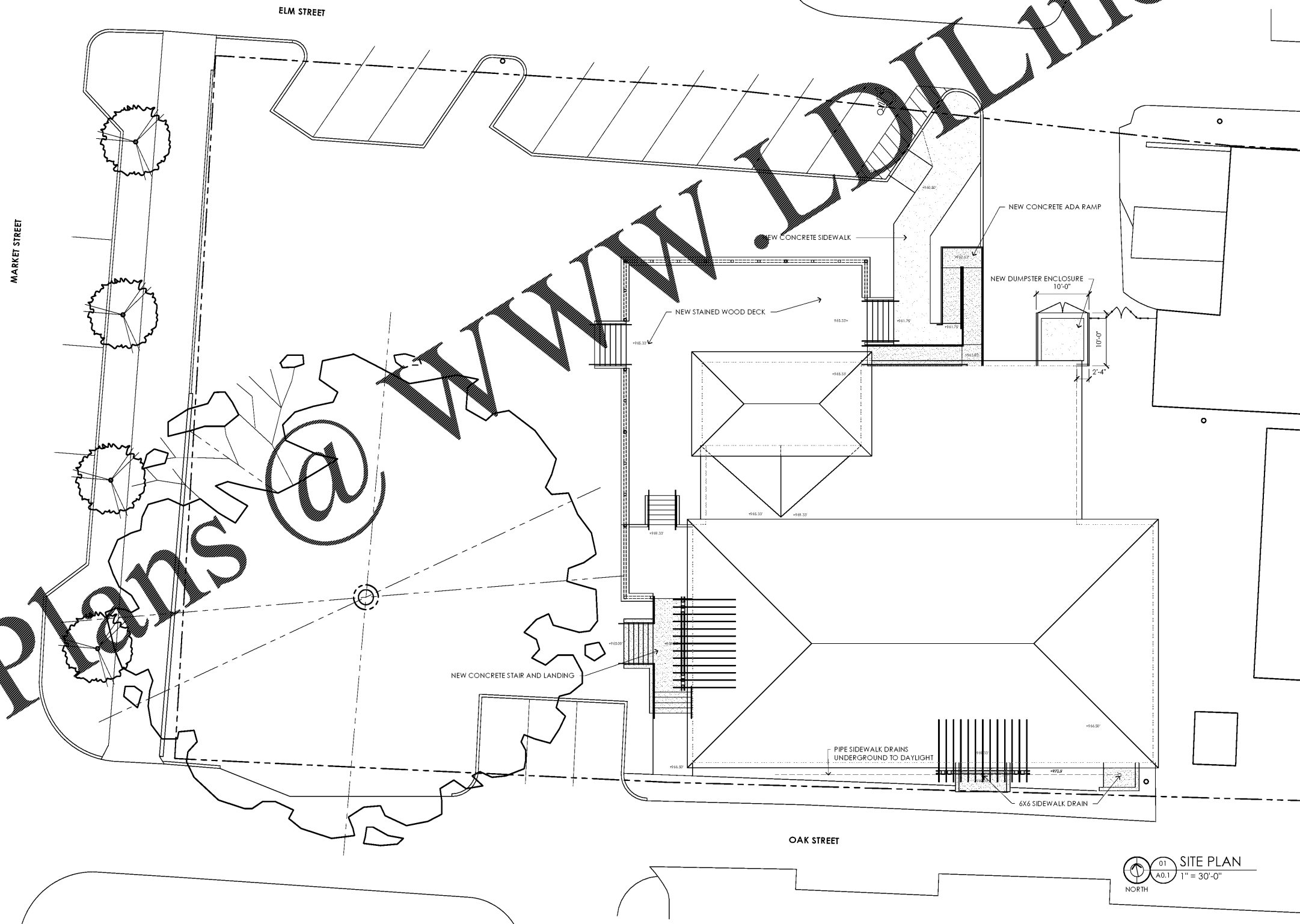
NOTE: GATE FENCING NOT SHOWN TO ILLUSTRATE GATE FRAMING



06 SECTION @ GATE
A0.1 1/2" = 1'-0"



07 SECTION @ WALL
A0.1 1/2" = 1'-0"

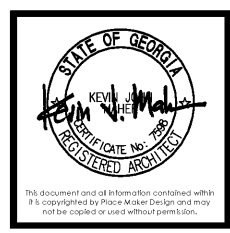


01 SITE PLAN
A0.1 1" = 30'-0"



REV #	DATE	DESCRIPTION

REFORMATION BREWERY
105 ELM STREET
WOODSTOCK, GEORGIA 30188
REFORMATION BREWERY



PLACE MAKER DESIGN
1000 CIRCLE 75 PARKWAY
SUITE 400
ATLANTA, GEORGIA 30339
404.549.4499

ISSUE DATE	01/05/2018
DRAWN BY	B.J.K / T.H.
CHECKED BY	T.M.V.
PWD PROJ #	17072

ARCH. SITE PLAN

A0.1

Order Plans @ WWW.LDOnline.com