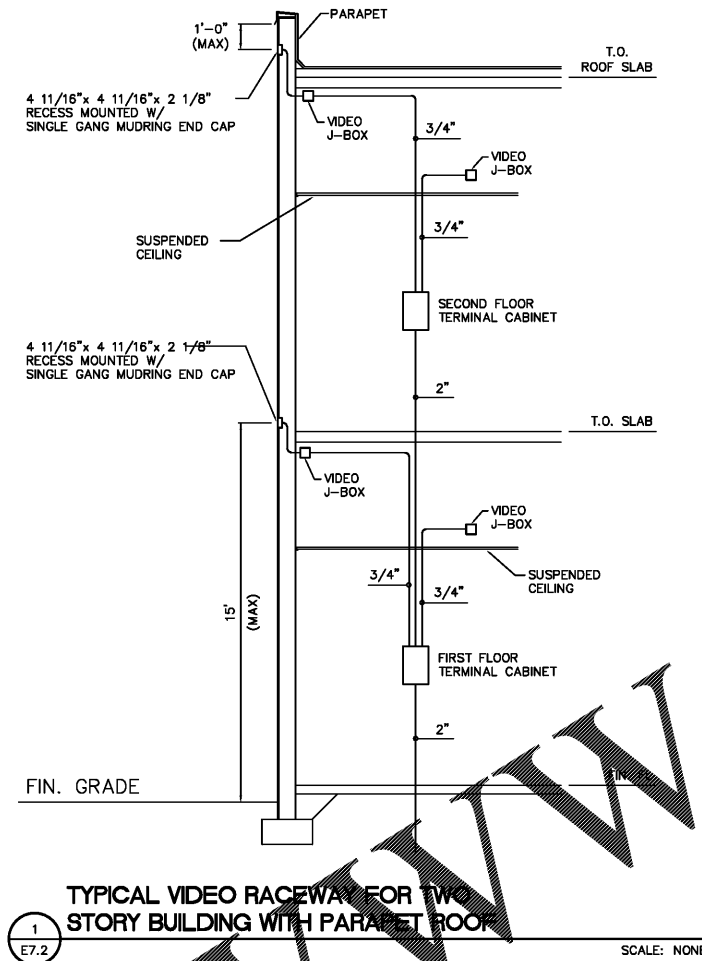
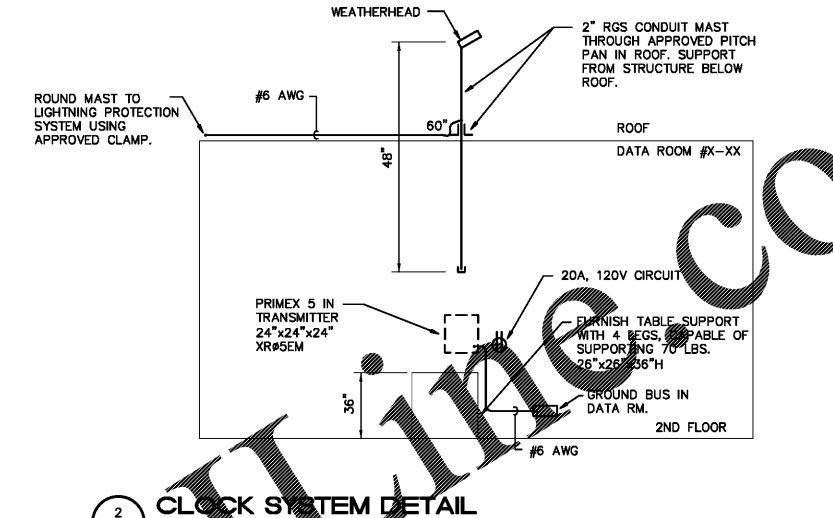


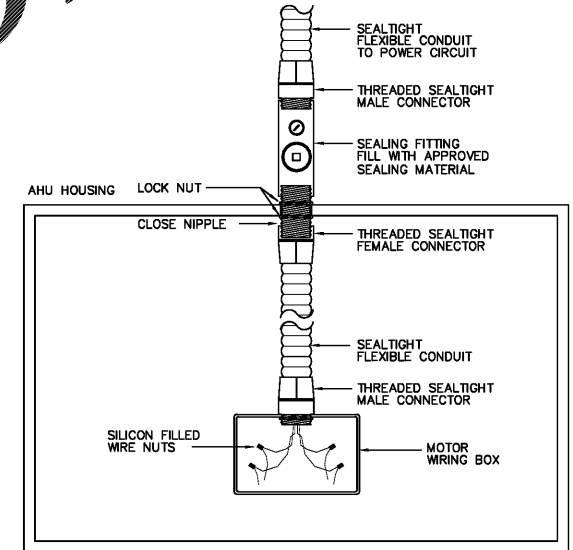
This information is intended for the professional use of the recipient only. It is not to be distributed, copied, or otherwise used in any way without the prior written consent of Harvard Jolly, Inc. The user hereby represents and warrants that it will be used solely for the intended purpose and that it will not be used for any other purpose.



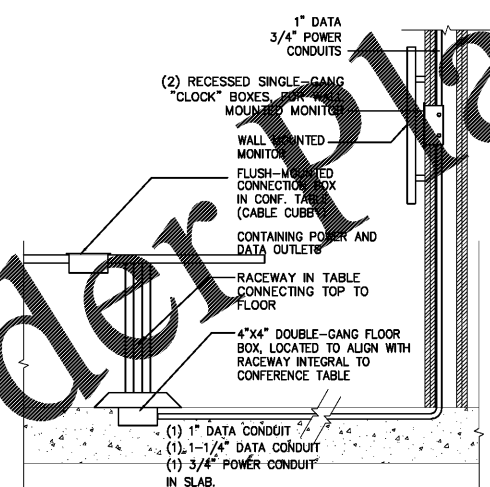
**1** TYPICAL VIDEO RACEWAY FOR TWO STORY BUILDING WITH PARAPET ROOF  
E7.2 SCALE: NONE



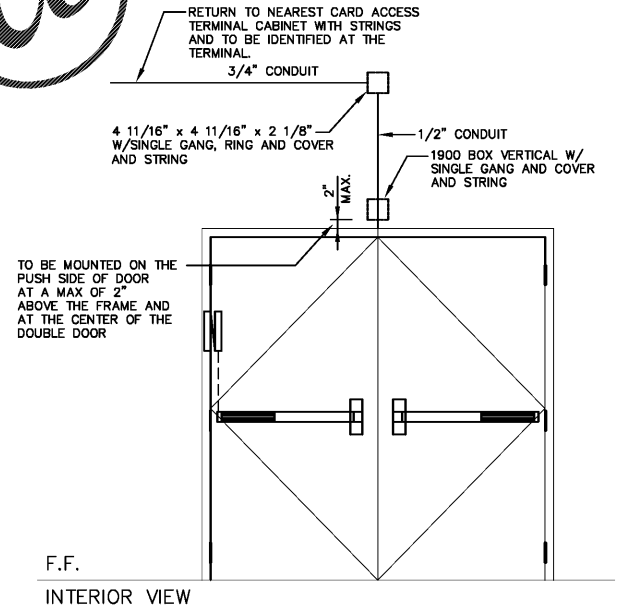
**2** CLOCK SYSTEM DETAIL  
NO SCALE



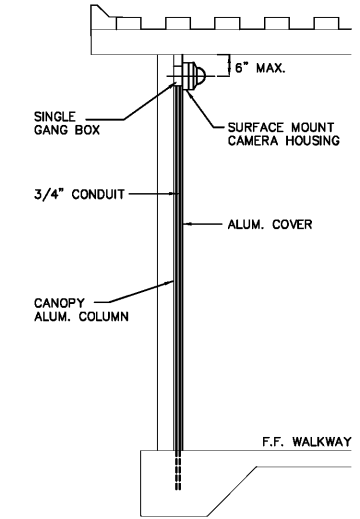
**5** AIR HANDLING UNIT WIRING DETAIL  
E7.2 NO SCALE



**3** CONDUIT ROUGH-IN SECTION  
E7.2 SCALE: NONE



**4** EMERGENCY EXIT DOOR MONITOR  
E7.2 SCALE: NONE



**6** COVERED WALKWAY CAMERA INSTALLATION  
E7.2 NO SCALE

Order Plans

@

WWW.LDMLINC.COM

**HARVARD • JOLLY**  
ARCHITECTURE  
2047 VISTA PARKWAY, SUITE 100 | WEST PALM BEACH, FL 33411 | www.harvardjolly.com | AAC000119

**JLD**  
JOHNSON, LEVINSON  
RAGAN, DAVILA, INC.  
1450 Centrepark Boulevard, Suite 350  
West Palm Beach, Florida 33401  
(561) 689-2303 (561) 689-2302 Fax  
www.jld.com  
Certification Number 60399  
Michael P. Landrum, P.E. 30594  
Charles C. Chubberson, P.E. 31936

**STEM BUILDING**  
**THE BENJAMIN SCHOOL - LOWER/MIDDLE SCHOOL**  
11000 Ellison Wilson Road, North Palm Beach, FL 33408  
CONSTRUCTION DOCUMENTS

Contract No:	16117.00	
Job No:	117030	
Date:	10-23-17	
Drawn:	WLM	
Revisions		
No.	Date	Note

TO THE BEST OF MY KNOWLEDGE, THE PLANS AND SPECIFICATIONS COMPLY WITH THE MINIMUM BUILDING CODES.

© 2017 HARVARD JOLLY, INC.

JLD Project #117030

E7.2