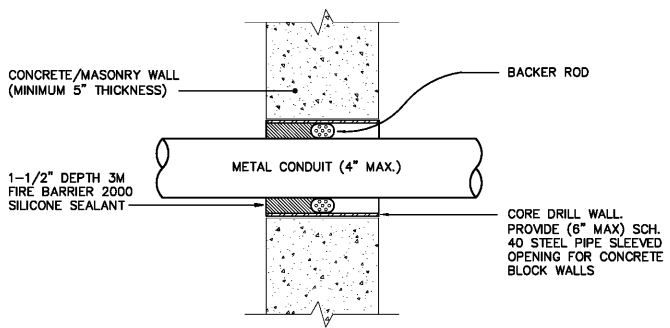


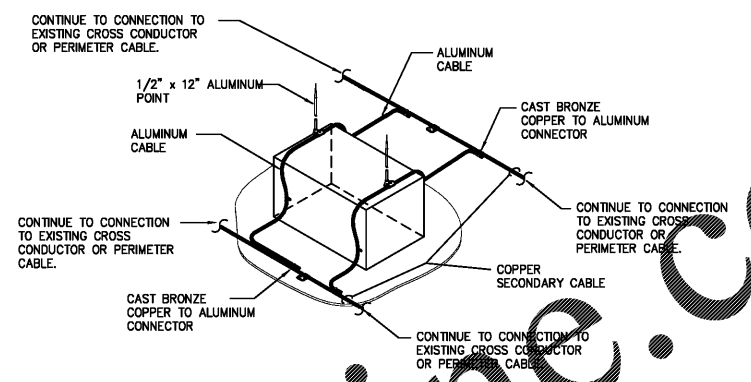
1 CONDUIT PENETRATION THROUGH RATED GYPSUM WALL
 (UL #W-L-1010) SCALE: NONE

- CONDUIT PENETRATION NOTES (GYPSUM):**
1. MAXIMUM 3/4" ANNULAR SPACE.
 2. INSTALL 3M FIRE BARRIER 2000 SILICONE SEALANT TO COMPLETELY FILL THE ANNULAR SPACE BETWEEN THE PIPE AND THE WALL ASSEMBLY. FILL TO THE FULL THICKNESS OF THE GYPSUM WALL (MINIMUM 1-1/4 INCH SEALANT THICKNESS) PLUS AN ADDITIONAL 1/4 INCH CROWN AROUND THE PERIMETER OF THE CONDUIT.

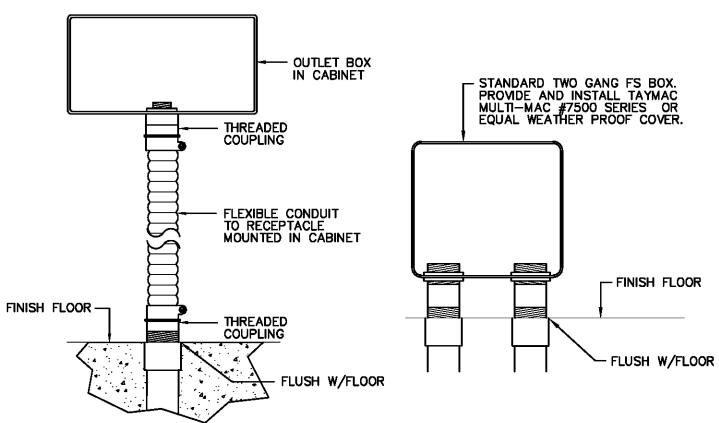


2 CONDUIT PENETRATION THROUGH RATED CONCRETE/MASONRY WALL
 (UL #C-AJ-1014) SCALE: NONE

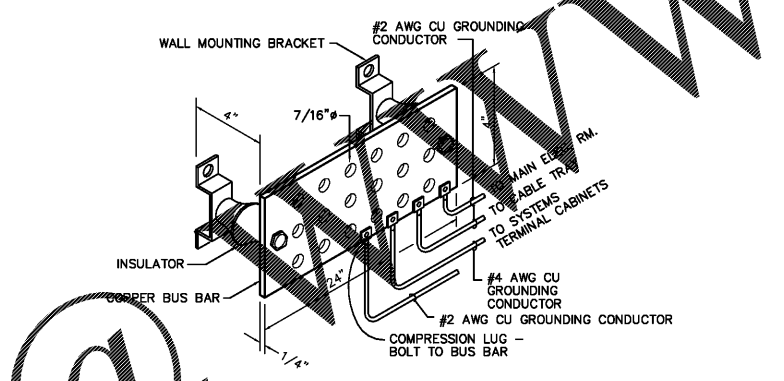
- CONDUIT PENETRATION NOTES (CONCRETE/MASONRY):**
1. CORE DRILL FOR A MAXIMUM 6 INCH DIAMETER OPENING WITH MAXIMUM 6 INCH SCHEDULE 40 STEEL PIPE SLEEVED OPENING FOR CONCRETE BLOCK OR BRICK WALLS OR MAXIMUM 3/4 INCH ANNULAR SPACE.
 2. INSTALL OPEN CELL POLYURETHANE BACKER ROD IN OPENING. RECESS 1-1/2 INCHES FROM WALL SURFACE.
 3. INSTALL A MINIMUM OF 1-1/2 INCHES OF 3M FIRE BARRIER 2000 SILICONE SEALANT OVER BACKER ROD.



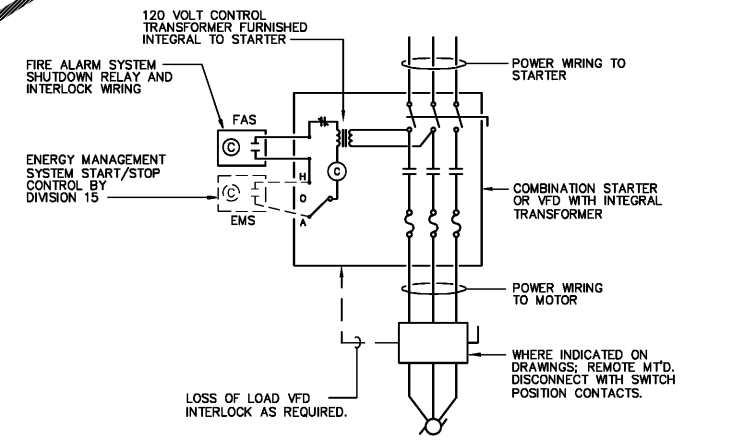
3 ROOF MNT'D. EQUIPMENT - LIGHTNING PROTECTION
 (E7.1) NO SCALE



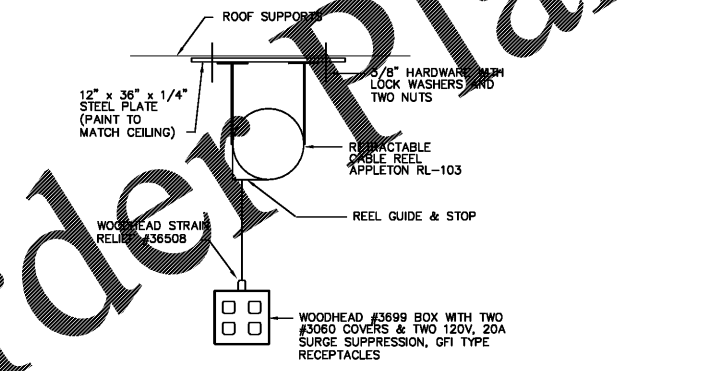
4 OUTLET DETAILS
 (E7.1) SCALE: NONE



5 TYPICAL GROUND BAR DETAIL
 (E7.1) SCALE: NONE



6 MOTOR STARTER/VFD INTERLOCK SCHEMATIC
 (E7.1) SCALE: NONE



7 CEILING POWER REEL DETAIL
 (E7.1) SCALE: NONE

Order Plans

Comm. No:	16117.00	
Job No:	117030	
Date:	10-23-17	
Drawn:		
Revisions		
No.	Date	Note

TO THE BEST OF MY KNOWLEDGE, THE PLANS AND SPECIFICATIONS COMPLY WITH THE MINIMUM BUILDING CODES.