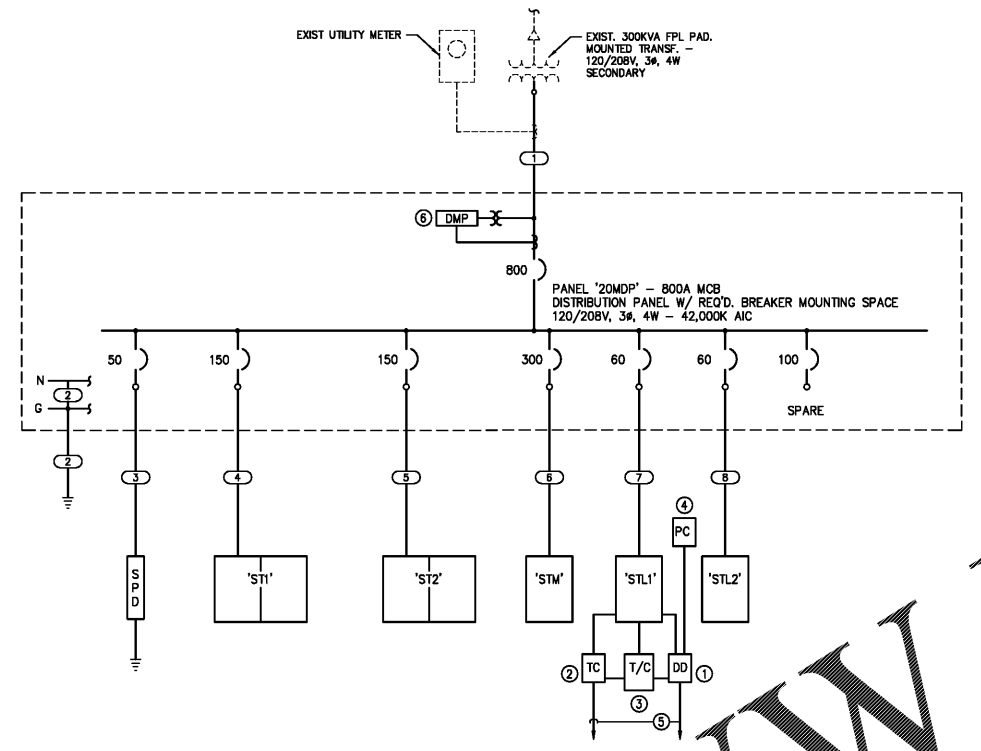


The information contained herein is the property of Johnson, Levins & Davidson, Inc. (JLD) and is provided for your information only. It is not to be used for any other purpose without the written consent of JLD. The user hereby represents and warrants that it will be used only for the intended purpose and will not be used for any other purpose without the written consent of JLD.



1 ONE-LINE DIAGRAM SCALE: NONE

WIRE AND CONDUIT SCHEDULE	
1	TWO SETS 4#500KCM - 4°C EA
2	1#2G, SEE GROUNDING NOTE
3	4#8, 1#8G - 3/4°C
4	4#1/0, 1#8G - 1 1/2°C
5	4#1/0, 1#8G - 1 1/2°C
6	4#350KCM, 1#4G - 1°C
7	4#6, 1#10G - 1°C
8	4#6, 1#10G - 1°C
9	
10	

GROUNDING NOTE: GROUNDING ELECTRODE CONDUCTORS SHALL TERMINATE IN 5/8" x 10' LONG COPPER GROUND RODS, BUILDING STEEL, AND CWP. (WHERE DRIVEN GROUND RODS NOT POSSIBLE, CONNECT TO BLDG. STEEL AND CWP)

- PLAN NOTES**
- 1 CONTACTOR 'DD-1'.
  - 2 CONTACTOR 'TC-1'.
  - 3 TIME CLOCK.
  - 4 PHOTO-CELL.
  - 5 TIMED LIGHTING CIRCUITS TO FIXTURES AS REQUIRED. SEE FLOOR PLAN AND SITE PLAN AND TIMED LIGHTING CONTROL WIRING SCHEMATIC.
  - 6 DIGITAL METERING PACKAGE.

**HARVARD • JOLLY**  
ARCHITECTURE

2047 VISTA PARKWAY, SUITE 100 | WEST PALM BEACH, FL 33411 | www.harvardjolly.com | AAC000119

**JLD**  
JOHNSON, LEVINS & DAVIDSON, INC.  
1450 CENTREPAKE BOULEVARD, SUITE 350  
WEST PALM BEACH, FLORIDA 33401  
561.889.2103 | 561.889.2102 FAX  
www.jld.com

Certification Number 60399

Michael P. Landrum, P.E., 30594  
Charles C. Chubberson, P.E., 31936

**STEM BUILDING  
THE BENJAMIN SCHOOL - LOWER/MIDDLE SCHOOL**  
11000 Ellison Wilson Road, North Palm Beach, FL 33408  
CONSTRUCTION DOCUMENTS

Comm. No: 16117.00  
Job No: 117030  
Date: 10-23-17  
Drawn:

Revisions		
No.	Date	Note

TO THE BEST OF MY KNOWLEDGE, THE PLANS AND SPECIFICATIONS COMPLY WITH THE MINIMUM BUILDING CODES.

© 2017 HARVARD JOLLY, INC.

JLD Project #117030

E4.1