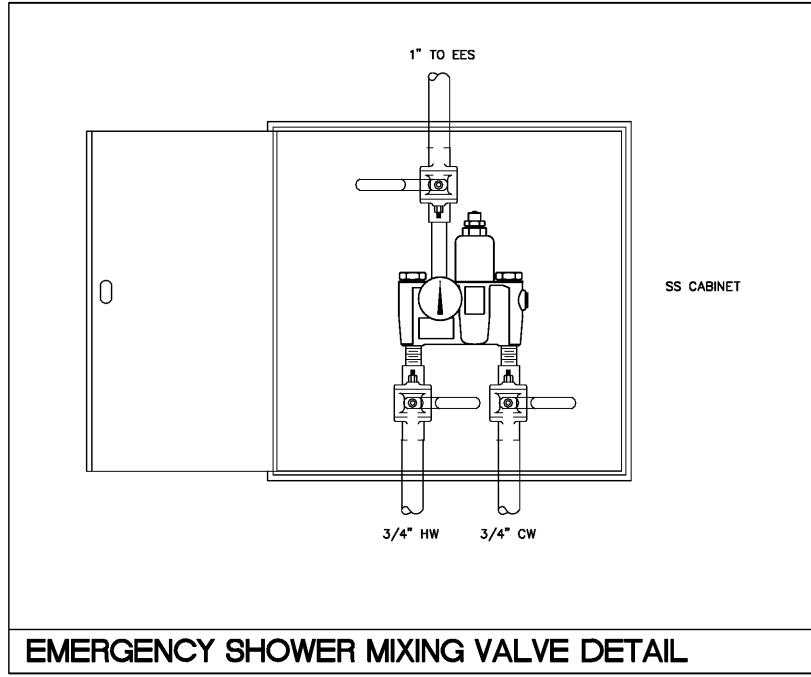
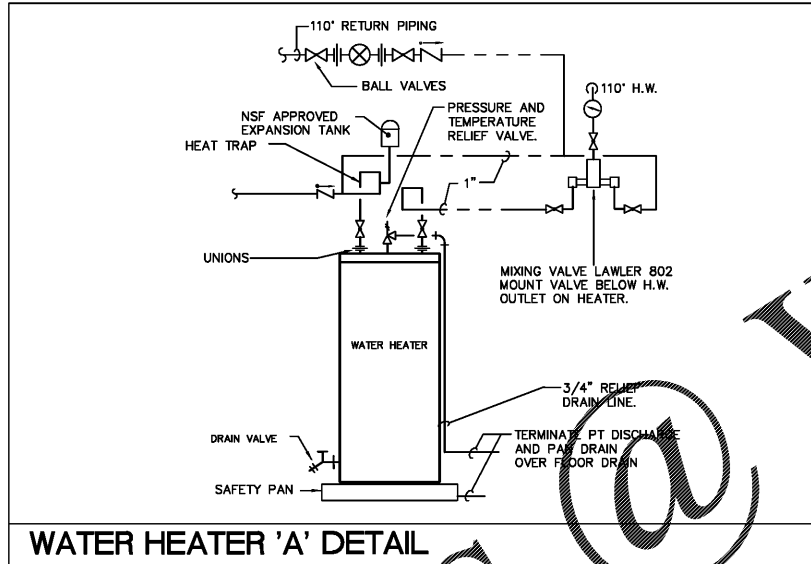


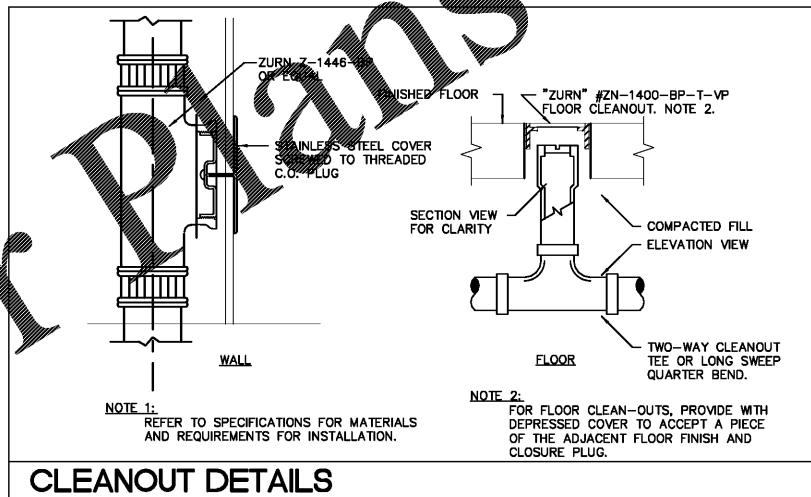
This information is intended to be used as a guide only. It is not intended to be used as a substitute for professional engineering or architectural services. The user hereby represents and warrants that it will be used in accordance with the intended purpose of the information.



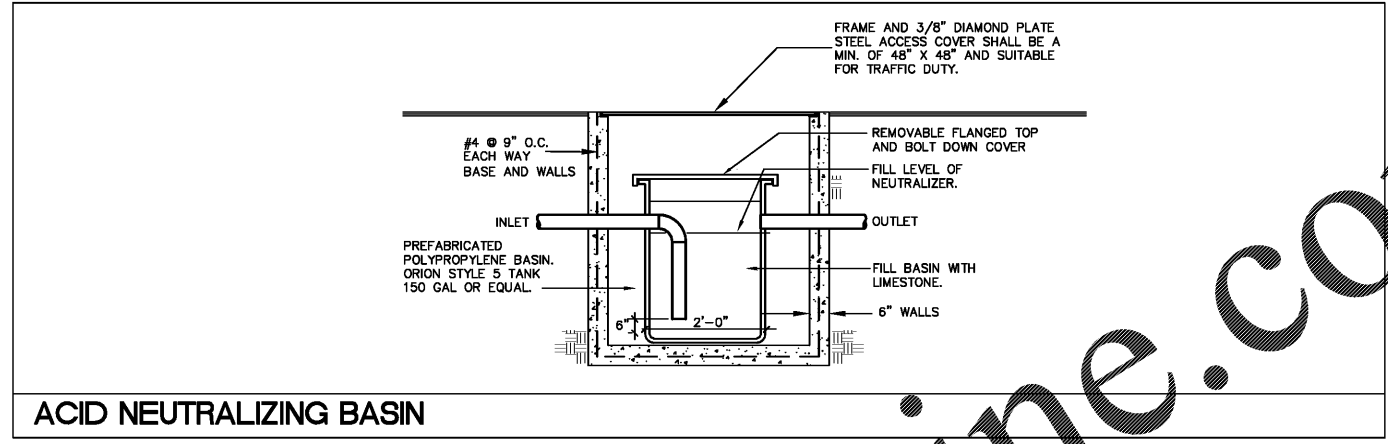
EMERGENCY SHOWER MIXING VALVE DETAIL



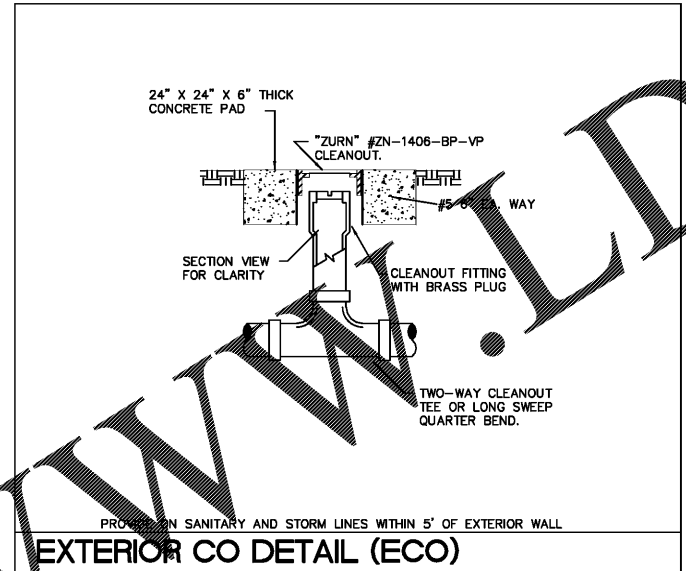
WATER HEATER 'A' DETAIL



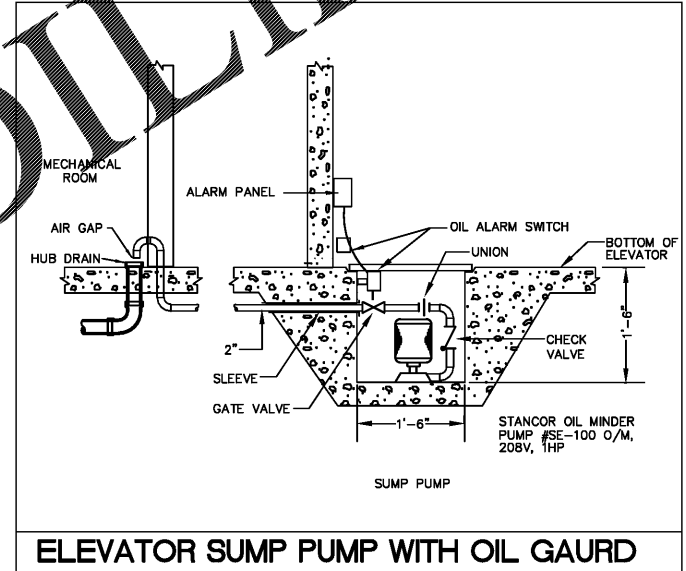
CLEANOUT DETAILS



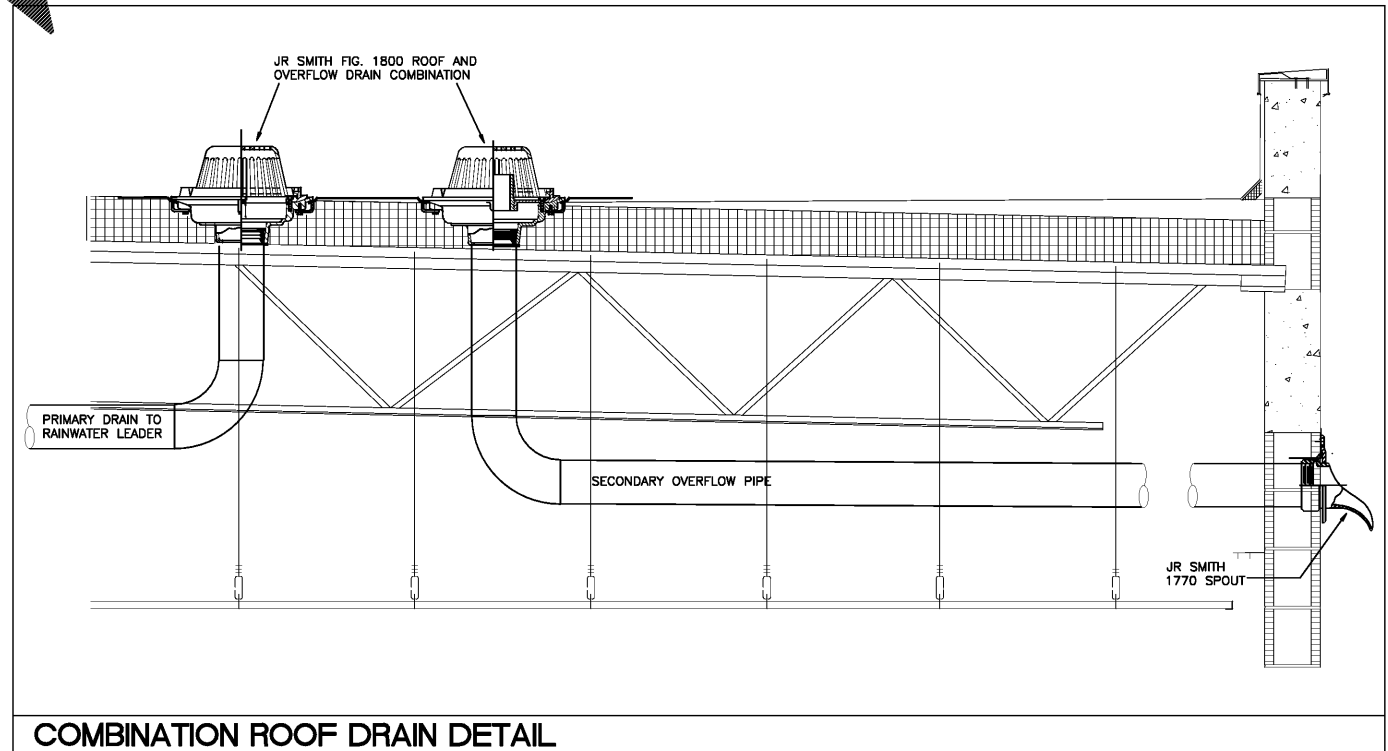
ACID NEUTRALIZING BASIN



EXTERIOR CO DETAIL (ECO)



ELEVATOR SUMP PUMP WITH OIL GAURD



COMBINATION ROOF DRAIN DETAIL

Order Plans @ WWW.LDLine.com

HARVARD • JOLLY
ARCHITECTURE
 2047 VISTA PARKWAY, SUITE 100 | WEST PALM BEACH, FL 33411 | www.harvardjolly.com | AAC000119

JLD
 JOHNSON, LEVINSON
 RAGAN, DAVILA, INC.
 1450 Centrepark Boulevard, Suite 350
 West Palm Beach, Florida 33401
 (561) 689-2103 (561) 689-2102 Fax
 www.jld.com
 Certification Number 6059
 Michael P. Landrum, P.E. 50594
 Charles C. Chalkman, P.E. 51936

STEM BUILDING
THE BENJAMIN SCHOOL - LOWER/MIDDLE SCHOOL
 11000 Ellison Wilson Road, North Palm Beach, FL 33408
 CONSTRUCTION DOCUMENTS

Contract No:	16117.00	
Job No:	117030	
Date:	10-23-17	
Drawn:	GSQ	
Revisions		
No.	Date	Note

TO THE BEST OF MY KNOWLEDGE, THE PLANS AND SPECIFICATIONS COMPLY WITH THE MINIMUM BUILDING CODES.

© 2017 HARVARD JOLLY, INC.

JLD Project #117030

P4.1