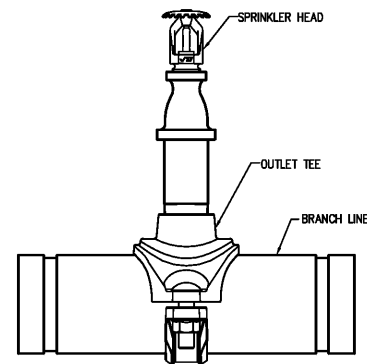
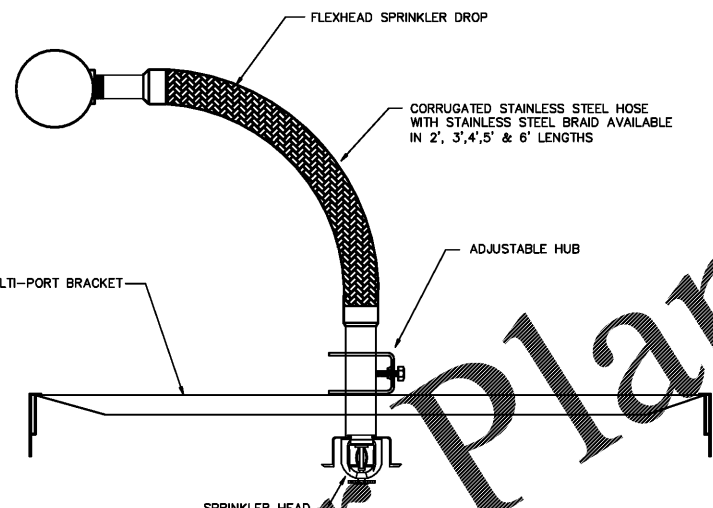


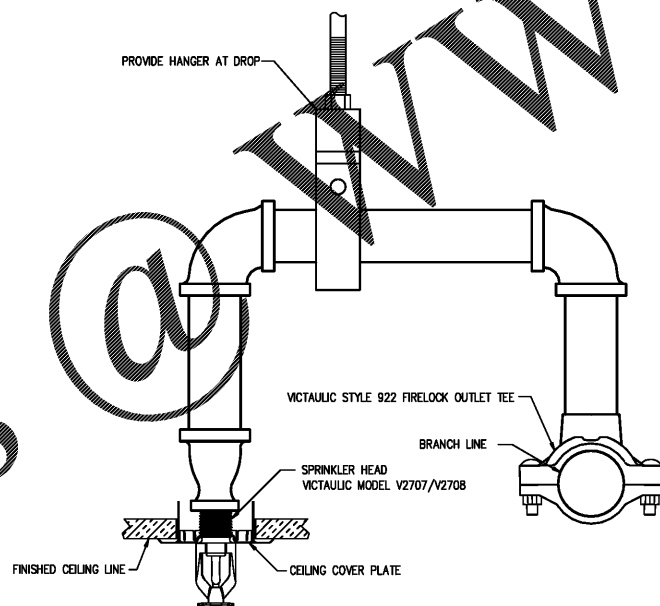
1 **SIDEWALL SPRINKLER HEAD DETAIL - WET PIPE SYSTEM**
 HEADS TO BE INSTALLED PER NFPA 13. SCALE: NONE



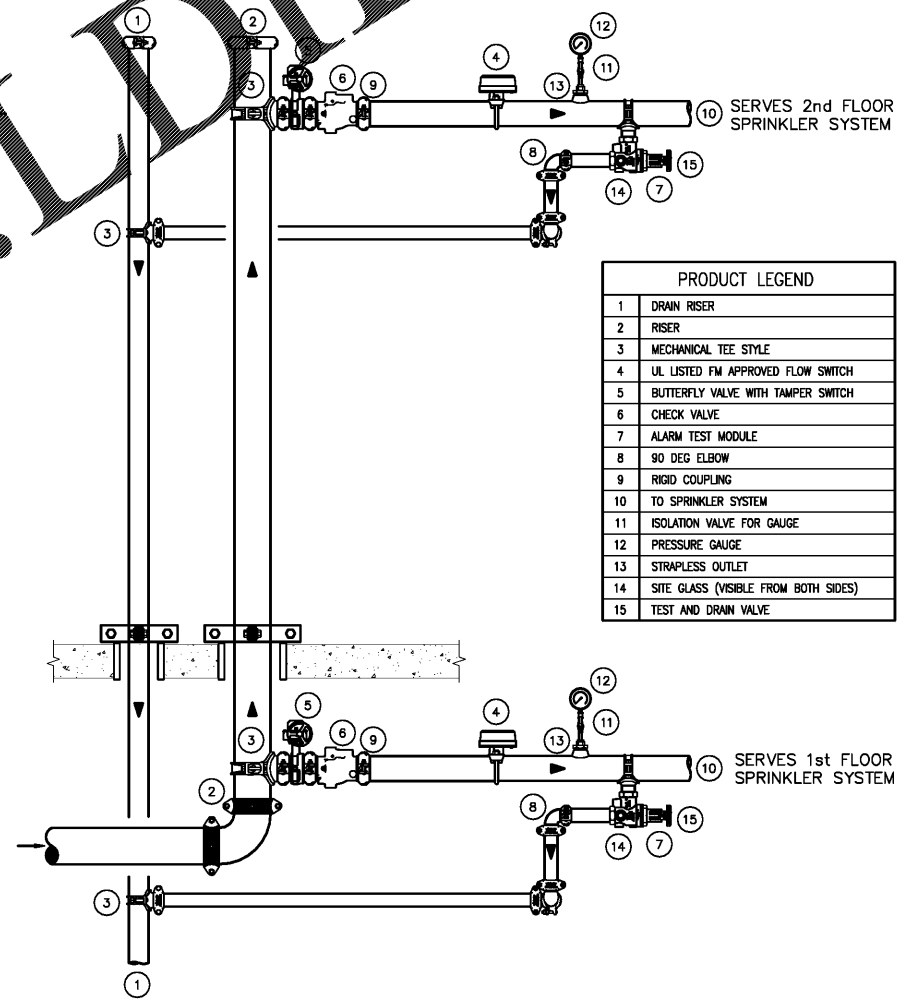
2 **UPRIGHT SPRINKLER HEAD DETAIL**
 SCALE: NONE



3 **FLEX HEAD DETAIL**
 NOTE: AT CONTRACTOR'S OPTION, FLEXIBLE HEADS MAY BE PROVIDED TO SERVE THE BUILDING. SCALE: NONE



4 **STANDARD AND RECESSED PENDANT SPRINKLER HEAD DETAIL - WET PIPE SYSTEM**
 HEADS TO BE INSTALLED PER NFPA 13. SCALE: NONE



5 **FLOOR CONTROL VALVE DETAIL**
 1. DRAIN SHALL BE EXTENDED TO DISCHARGE OUTSIDE ONTO AN 18" LONG CONCRETE SPLASHBLOCK. SCALE: NONE

PRODUCT LEGEND	
1	DRAIN RISER
2	RISER
3	MECHANICAL TEE STYLE
4	UL LISTED FM APPROVED FLOW SWITCH
5	BUTTERFLY VALVE WITH TAMPER SWITCH
6	CHECK VALVE
7	ALARM TEST MODULE
8	90 DEG ELBOW
9	RIGID COUPLING
10	TO SPRINKLER SYSTEM
11	ISOLATION VALVE FOR GAUGE
12	PRESSURE GAUGE
13	STRAPLESS OUTLET
14	SITE GLASS (VISIBLE FROM BOTH SIDES)
15	TEST AND DRAIN VALVE

This information is provided for informational purposes only. It is not intended to be used as a substitute for professional engineering or architectural services. The user hereby represents and warrants that all information contained herein shall be used in accordance with the intended purpose of the information provided.

Order Plans

HARVARD • JOLLY
ARCHITECTURE
 2047 VISTA PARKWAY, SUITE 100 | WEST PALM BEACH, FL 33411 | www.harvardjolly.com | AAC000119

JLD
 JOHNSON, LEVINSON
 RAGAN, DAVILA, INC.
 CONSULTING ENGINEERS
 1450 Centrepark Boulevard, Suite 350
 West Palm Beach, Florida 33401
 (561) 689-2303 (561) 689-2302 Fax
 www.jld.com
 Certification Number 6039
 Michael P. Landrum, P.E. 30594
 Charles C. Chubberson, P.E. 31936

STEM BUILDING
THE BENJAMIN SCHOOL - LOWER/MIDDLE SCHOOL
 11000 Ellison Wilson Road, North Palm Beach, FL 33408
 CONSTRUCTION DOCUMENTS

Contract No:	16117.00	
Job No:	117030	
Date:	10-23-17	
Drawn:	BAR	
Revisions		
No.	Date	Note

TO THE BEST OF MY KNOWLEDGE, THE PLANS AND SPECIFICATIONS COMPLY WITH THE MINIMUM BUILDING CODES.

© 2017 HARVARD JOLLY, INC.

JLD Project #117030

FP3.2