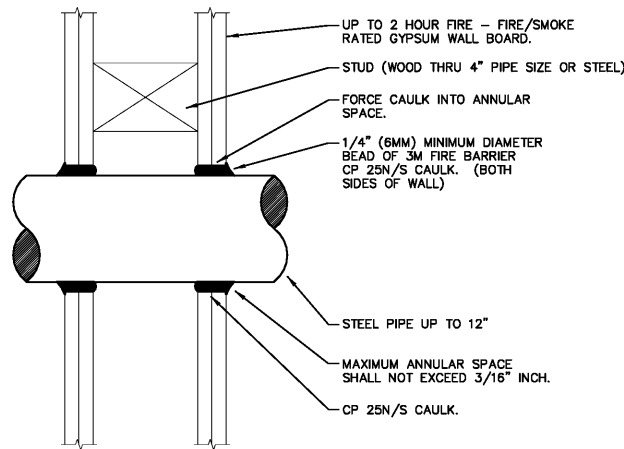


1 FLOOR PENETRATION DETAIL

FP3.1 UL SYSTEM NO. CA-J-1001 (FORMALLY #49) - TYPICAL FOR ALL FLOOR PENETRATIONS

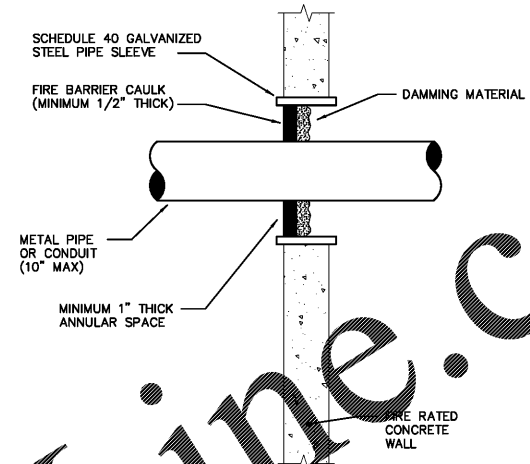
SCALE: NONE



2 PENETRATION FIRESTOP THROUGH GYPSUM WALL BOARD

FP3.1 SYSTEM W-L-1001 (FORMALLY SYSTEM #147)

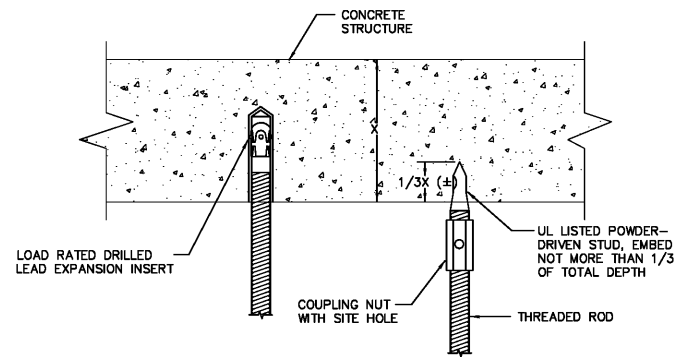
SCALE: NONE



3 PIPE PENETRATION THRU CONCRETE WALL

FP3.1 UL SYSTEM CA-J-1001 (FORMALLY #49)

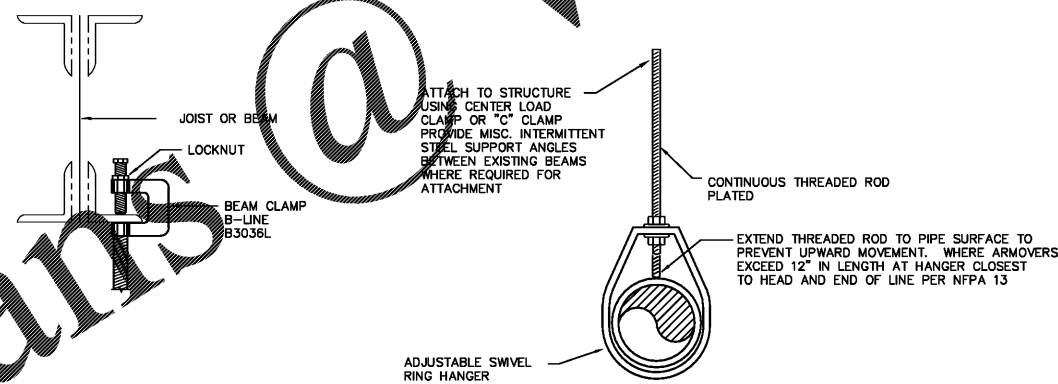
SCALE: NONE



4 UPPER ATTACHMENT TO STRUCTURE

FP3.1

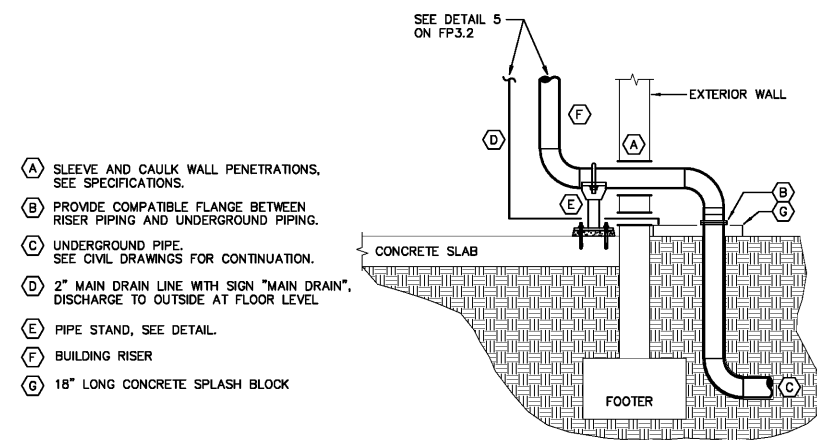
SCALE: NONE



5 PIPE HANGER DETAIL

FP3.1

SCALE: NONE



6 BUILDING FIRE PROTECTION PIPE ENTRY DETAIL

FP3.1

SCALE: NONE

- (A) SLEEVE AND CAULK WALL PENETRATIONS, SEE SPECIFICATIONS.
- (B) PROVIDE COMPATIBLE FLANGE BETWEEN RISER PIPING AND UNDERGROUND PIPING.
- (C) UNDERGROUND PIPE, SEE CIVIL DRAWINGS FOR CONTINUATION.
- (D) 2" MAIN DRAIN LINE WITH SIGN "MAIN DRAIN", DISCHARGE TO OUTSIDE AT FLOOR LEVEL.
- (E) PIPE STAND, SEE DETAIL.
- (F) BUILDING RISER
- (G) 18" LONG CONCRETE SPLASH BLOCK

A PULL-OUT ULTIMATE LOAD TEST SHALL BE PERFORMED FOR POWDER-DRIVEN STUDS ON FOUR REPRESENTATIVE SAMPLES, AT 1200 LBS. IF ANY ANCHOR FAILS, ONLY LEAD EXPANSION ANCHORS SHALL BE USED. INSTALLATION SHALL BE IN ACCORDANCE WITH MANUFACTURER'S RECOMMENDATIONS. PIPING 4" AND LARGER SHALL UTILIZE LEAD EXPANSION ANCHORS.

HARVARD • JOLLY ARCHITECTURE
2047 VISTA PARKWAY, SUITE 100 | WEST PALM BEACH, FL 33411 | www.harvardjolly.com | AAC000119

J L R D
JOHNSON, LEVINSON, RAGAN, DAVILA, INC.
1450 Centrepark Boulevard, Suite 350
West Palm Beach, Florida 33401
(561) 699-2303 (561) 699-2302 Fax
www.jldr.com
Certification Number 6059
Michael P. Landen, P.E. 30594
Charles C. Chubberson, P.E. 31936

**STEM BUILDING
THE BENJAMIN SCHOOL - LOWER MIDDLE SCHOOL**
11000 Ellison Wilson Road, North Palm Beach, FL 33408
CONSTRUCTION DOCUMENTS

Contract No:	16117.00	
Job No:	117030	
Date:	10-23-17	
Drawn:	BAR	
Revisions		
No.	Date	Note

TO THE BEST OF MY KNOWLEDGE, THE PLANS AND SPECIFICATIONS COMPLY WITH THE MINIMUM BUILDING CODES.

© 2017 HARVARD JOLLY, INC.

JLRD Project #117030

FP3.1

Order Plans

WWW.LDOnline.com