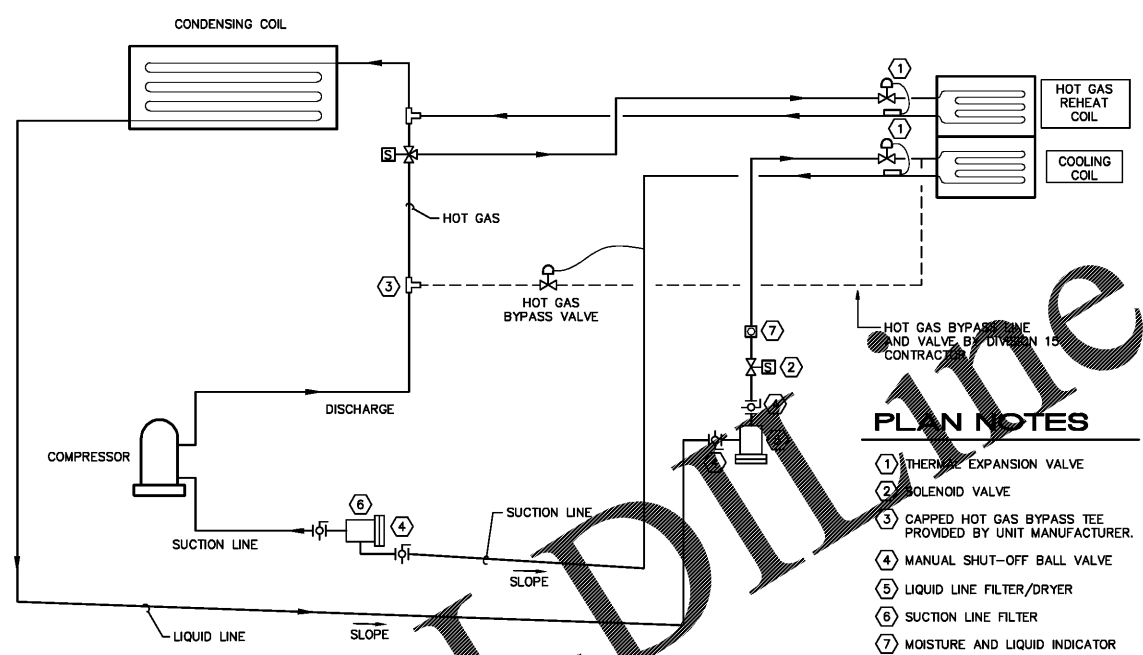


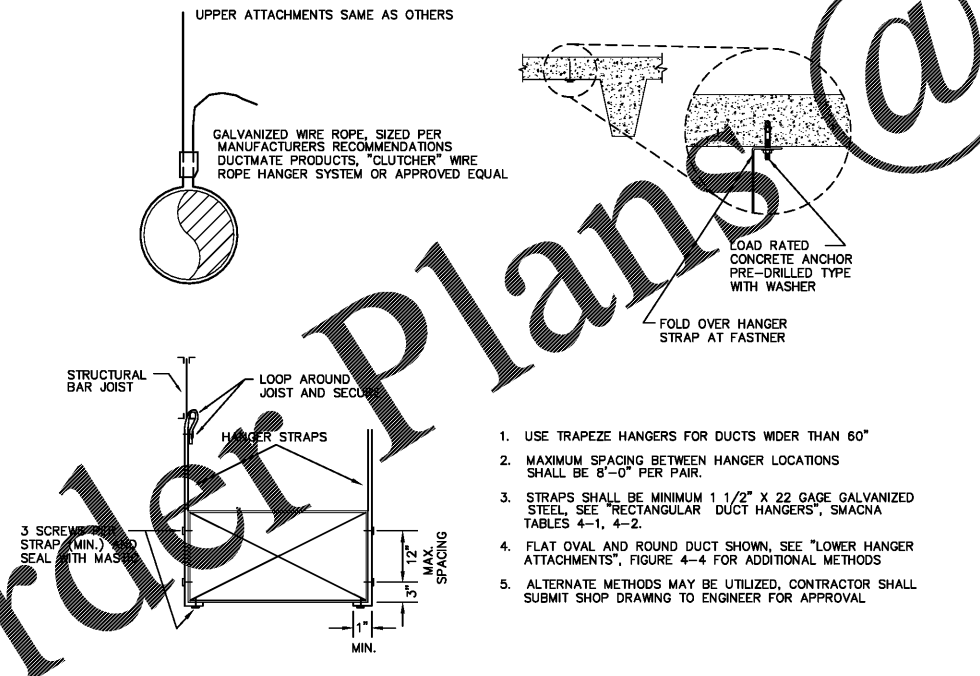
1 REFRIGERANT PIPING SUPPORT DETAIL SCALE: NONE



- PLAN NOTES**
- 1 THERMAL EXPANSION VALVE
  - 2 SOLENOID VALVE
  - 3 CAPPED HOT GAS BYPASS TEE PROVIDED BY UNIT MANUFACTURER.
  - 4 MANUAL SHUT-OFF BALL VALVE
  - 5 LIQUID LINE FILTER/DRYER
  - 6 SUCTION LINE FILTER
  - 7 MOISTURE AND LIQUID INDICATOR

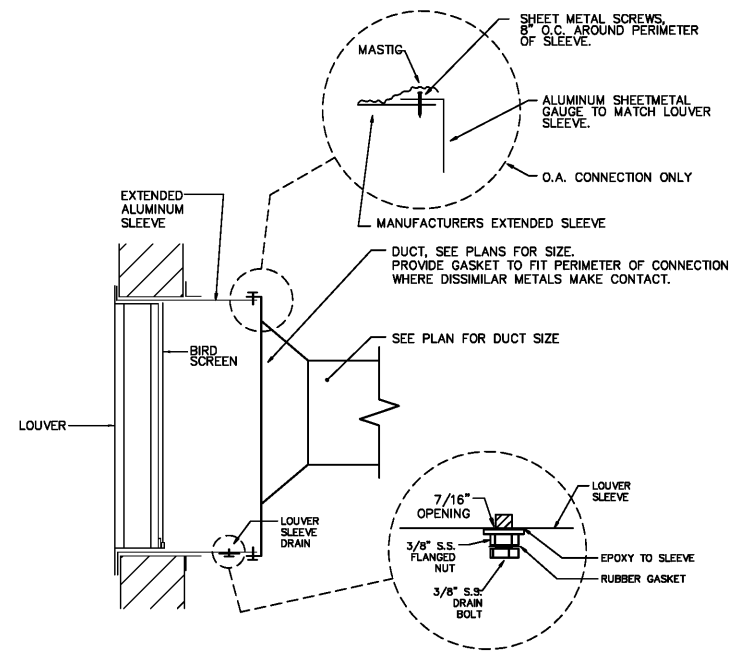
2 REFRIGERANT PIPING SCHEMATIC WITH HOT GAS BYPASS AND REHEAT (OAU-1) SCALE: NONE

1. THIS SCHEMATIC REPRESENTS MAJOR PIPING COMPONENTS TO BE PROVIDED FOR A SINGLE CIRCUIT REFRIGERANT SYSTEM. ADDITIONAL ACCESSORIES MAY BE PROVIDED/REQUIRED BY THE UNIT MANUFACTURER.
2. REFER TO CONTROL DRAWING FOR ADDITIONAL CONTROL REQUIREMENTS.
3. PIPING SHOWN IS SCHEMATICALLY FOR BIDDING PURPOSES ONLY. CONFIRM EXACT LINE SIZES, TRAPS, SLOPES AND INSTALLATION REQUIREMENTS WITH THE UNIT MANUFACTURER PRIOR TO INSTALLATION. THE MANUFACTURERS REQUIREMENTS GOVERN.
4. HOT GAS BYPASS LINE AND VALVE PROVIDED BY DIVISION 23 CONTRACTOR
5. CONTRACTOR SHALL COORDINATE WITH UNIT MANUFACTURER FOR LOCATIONS OF SERVICE PORTS



1. USE TRAPEZE HANGERS FOR DUCTS WIDER THAN 60"
2. MAXIMUM SPACING BETWEEN HANGER LOCATIONS SHALL BE 8'-0" PER PAIR.
3. STRAPS SHALL BE MINIMUM 1 1/2" X 22 GAGE GALVANIZED STEEL. SEE "RECTANGULAR DUCT HANGERS", SMACNA TABLES 4-1, 4-2.
4. FLAT OVAL AND ROUND DUCT SHOWN, SEE "LOWER HANGER ATTACHMENTS", FIGURE 4-4 FOR ADDITIONAL METHODS
5. ALTERNATE METHODS MAY BE UTILIZED, CONTRACTOR SHALL SUBMIT SHOP DRAWING TO ENGINEER FOR APPROVAL

3 DUCT HANGER DETAIL SCALE: NONE



4 OA DUCT CONNECTION TO WALL LOUVER DETAIL SCALE: NONE

Contract No: 16117.00

Job No: 117030

Date: 10-23-17

Drawn: WLM

Revisions		
No.	Date	Note

TO THE BEST OF MY KNOWLEDGE, THE PLANS AND SPECIFICATIONS COMPLY WITH THE MINIMUM BUILDING CODES.