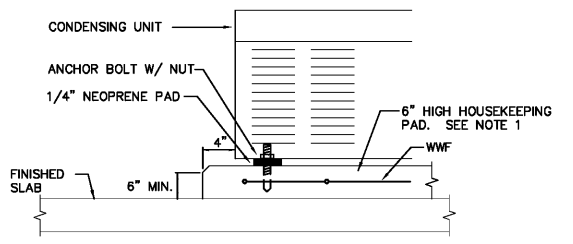


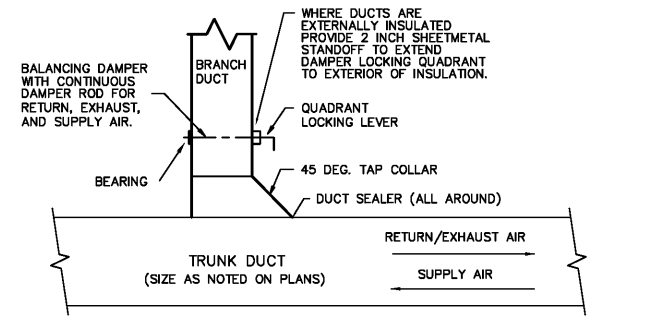
1 FLEXIBLE DUCT DETAIL SCALE: NONE

- FLEXIBLE DUCT NOTES**
1. FLEXIBLE DUCTS SHALL BE ONE-PIECE AND SHALL NOT BE SPLICED TOGETHER.
 2. EXTEND FLEXIBLE DUCT INSULATION TO DUCT/DIFFUSER PANEL INSULATION AND SEAL WITH MASTIC.
 3. MINIMUM 1-1/2" WIDE 22 GAUGE GALVANIZED STRAP HANGER WITH HEMMED EDGES PER SMACNA FIGURE 3-10.
 4. FLEXIBLE AIR DUCT SHALL BE FULLY EXTENDED AND NOT COMPRESSED WITH ELBOW RADIUS NO LESS THAN R/D = 1.0.

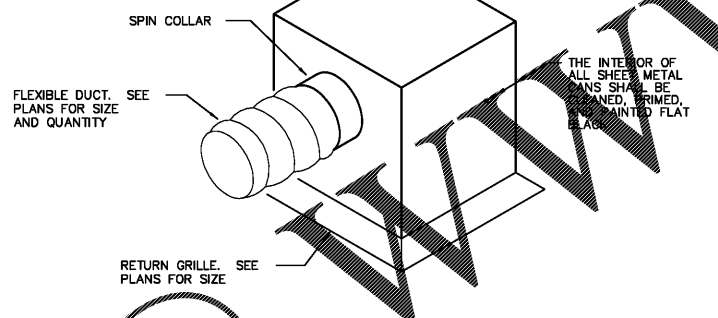


2 CONDENSING UNIT SUPPORT DETAIL SCALE: NONE

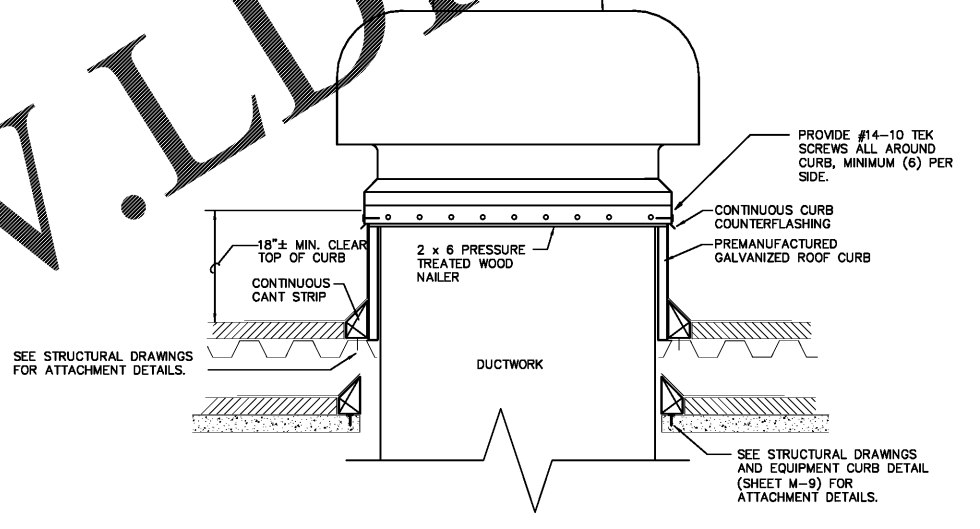
- CONDENSING UNIT SUPPORT DETAIL NOTES:**
1. PAD SHALL BE 6" THICK, 3000 PSI CONCRETE WITH 6 X 6 - W 2.9 X W 2.9 WWF.



3 BRANCH DUCT TAKE-OFF DETAIL SCALE: NONE

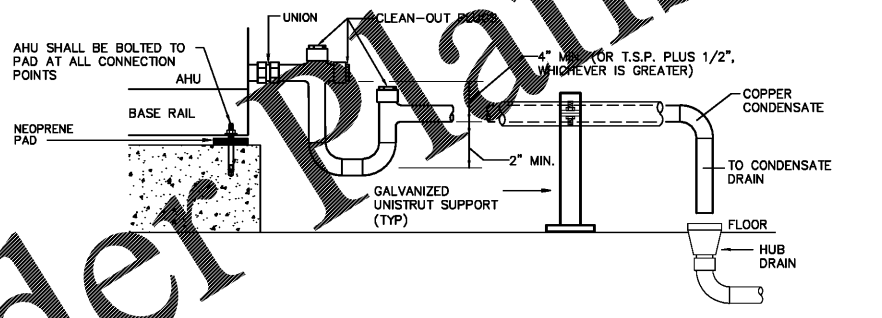


4 RETURN GRILLE DETAIL SCALE: NONE



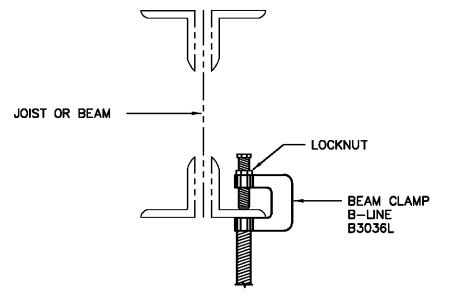
5 ROOF MOUNTED VENTILATOR SCALE: NONE

ALL ROOF VENTILATORS AND CURBS SHALL MEET MIAMI/DADE N.O.A. RATINGS

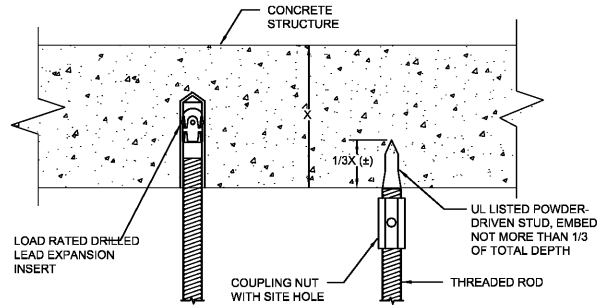


6 AHU CONDENSATE DRAIN DETAIL SCALE: NONE

- AHU CONDENSATE DRAIN NOTES**
1. CONDENSATE DRAIN SHALL BE PIPED FULL SIZE OF UNIT CONNECTION
 2. PROVIDE NEOPRENE PAD BETWEEN UNIT AND BASE RAIL.
 3. CONDENSATE PIPING SHALL BE INSULATED PER SPECIFICATIONS.
 4. CONDENSATE PIPING SHALL BE SUPPORTED FROM FLOOR AT 5'-0" (MIN) INTERVALS



7 UPPER ATTACHMENT STEEL STRUCTURE SCALE: NONE



8 UPPER ATTACHMENT CONCRETE STRUCTURE SCALE: NONE

A PULL-OUT ULTIMATE LOAD TEST SHALL BE PERFORMED FOR POWDER-DRIVEN STUDS ON FOUR REPRESENTATIVE SAMPLES, AT 1200 LBS. IF ANY ANCHOR FAILS, ONLY LEAD EXPANSION ANCHORS SHALL BE USED. INSTALLATION SHALL BE IN ACCORDANCE WITH MANUFACTURERS RECOMMENDATIONS. PIPING 4" AND LARGER SHALL UTILIZE LEAD EXPANSION ANCHORS.

Order Plans

Contract No:	16117.00	
Job No:	117030	
Date:	10-23-17	
Drawn:	WLM	
Revisions		
No.	Date	Note

TO THE BEST OF MY KNOWLEDGE, THE PLANS AND SPECIFICATIONS COMPLY WITH THE MINIMUM BUILDING CODES.