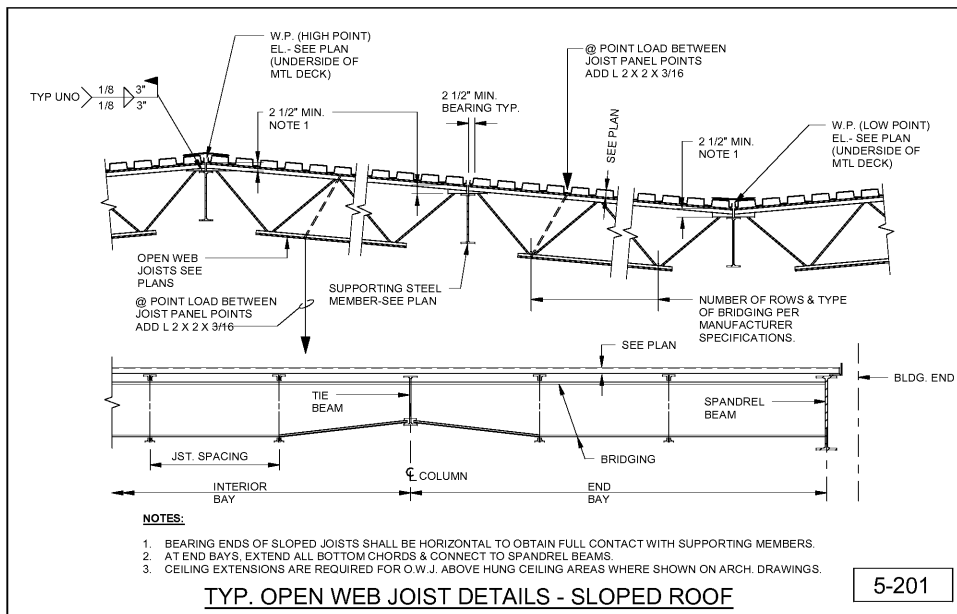
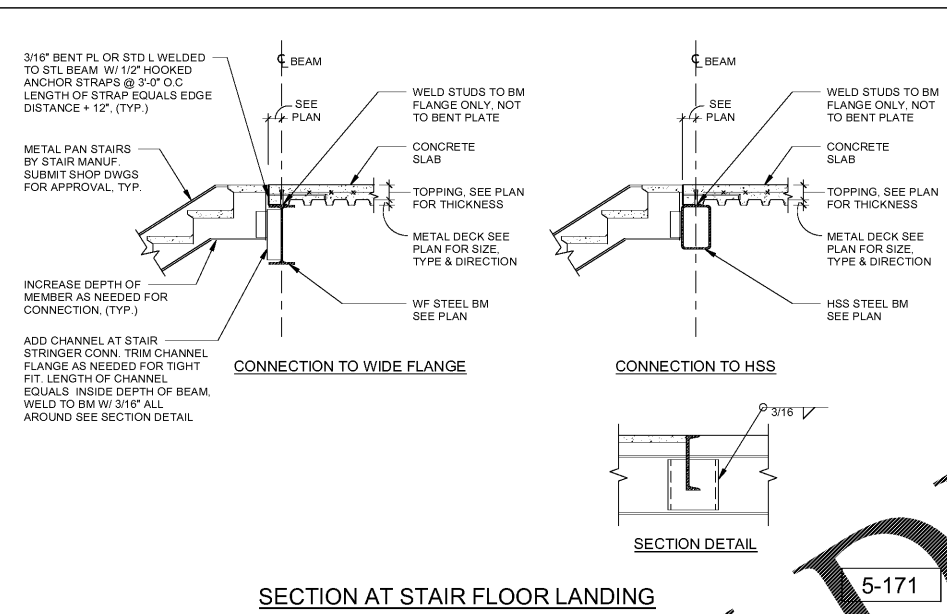


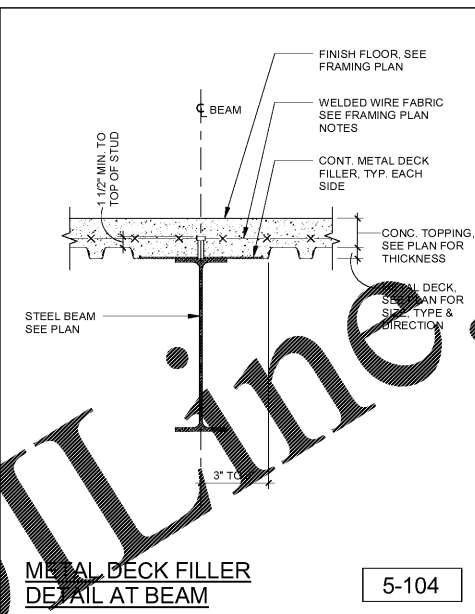
Order Plans



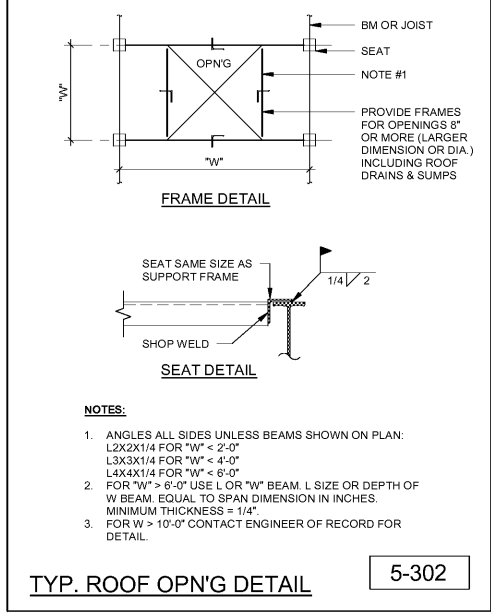
5-201 TYP. OPEN WEB JOIST DETAILS - SLOPED ROOF



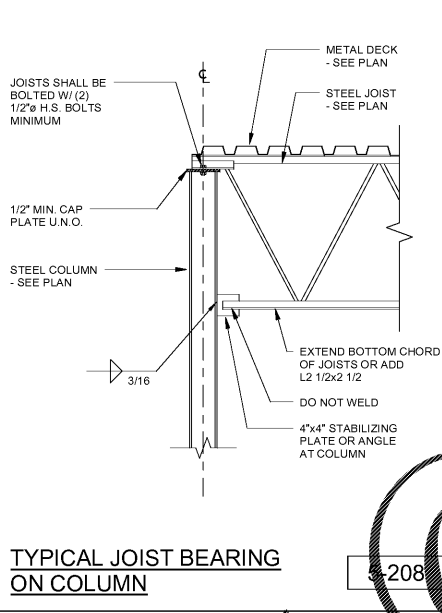
5-171 SECTION AT STAIR FLOOR LANDING



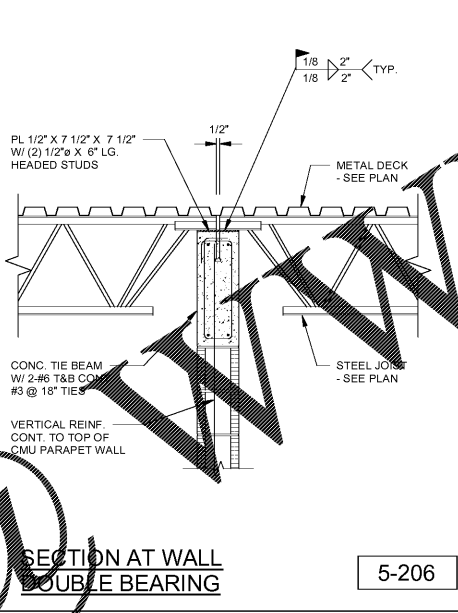
5-104 METAL DECK FILLER DETAIL AT BEAM



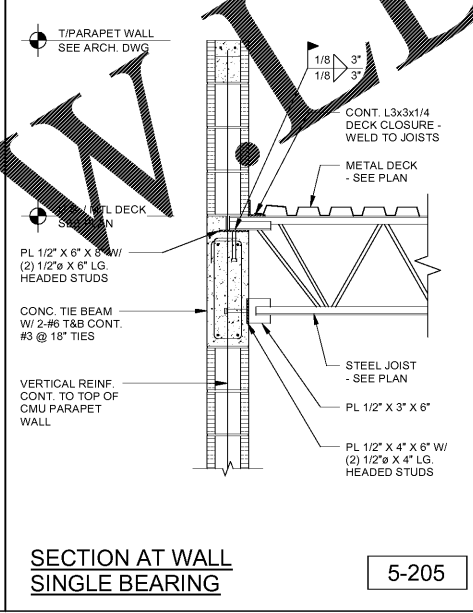
5-302 TYP. ROOF OP'NG DETAIL



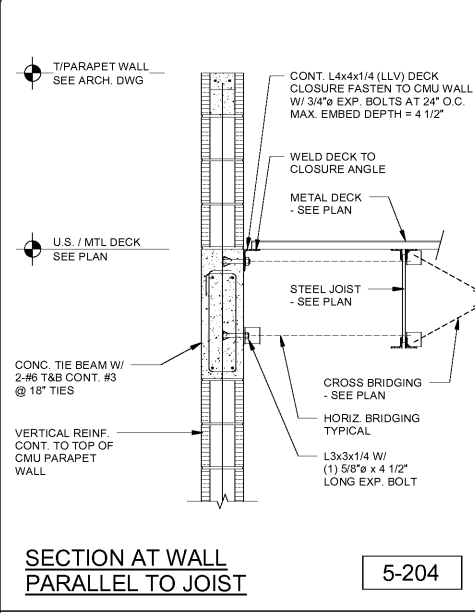
5-208 TYPICAL JOIST BEARING ON COLUMN



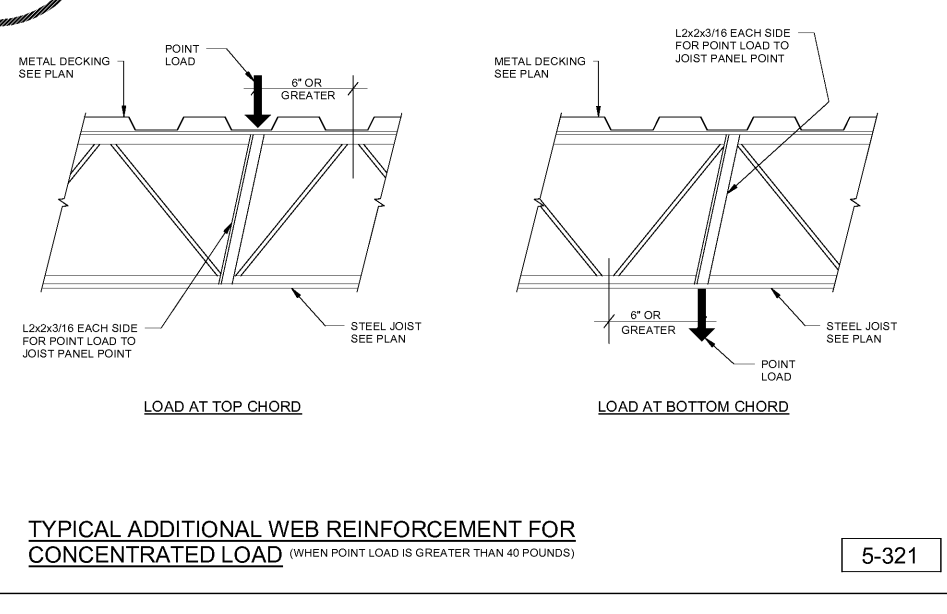
5-206 SECTION AT WALL DOUBLE BEARING



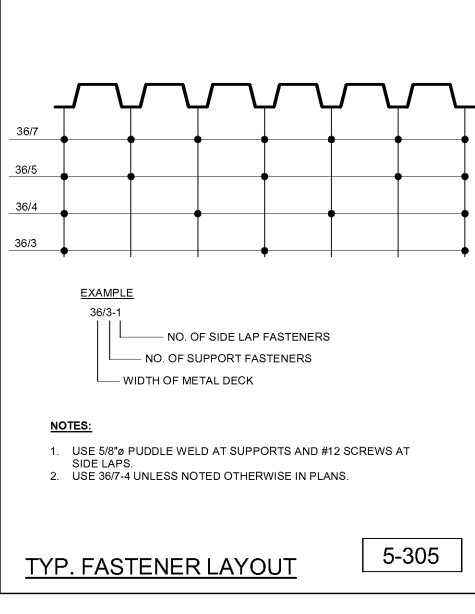
5-205 SECTION AT WALL SINGLE BEARING



5-204 SECTION AT WALL PARALLEL TO JOIST



5-321 TYPICAL ADDITIONAL WEB REINFORCEMENT FOR CONCENTRATED LOAD (WHEN POINT LOAD IS GREATER THAN 40 POUNDS)



5-305 TYP. FASTENER LAYOUT

NOTE: IN CASE OF CONFLICT BETWEEN INFORMATION SHOWN ON THIS DRAWING SECTION AND THE ARCHITECTURAL DRAWINGS, THE ARCHITECTURAL DRAWINGS SHALL TAKE PRECEDENCE. ALL DIMENSIONS AND MATERIALS SHALL BE AS SHOWN UNLESS OTHERWISE NOTED.

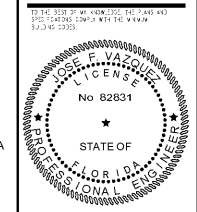
HARVARD • JOLLY ARCHITECTURE
2714 Dr. MLK Jr. Street N. St. Petersburg, FL 33704 | 727-696-4611 | www.HarvardJolly.com | AA 0000119

MASTER CONSULTING ENGINEERS, INC.
410 RAVENSWOOD RD., STE. 307
FT. LAUDERDALE, FL 33312
TEL: 760-940-1900 FAX: 760-940-1901
HARVARD • JOLLY ARCHITECTURE
2714 DR. MLK JR. STREET N.
ST. PETERSBURG, FL 33704
PROJ. NO. 14131-130

THE BENJAMIN SCHOOL - LOWER/MIDDLE SCHOOL
11000 Ellison Wilson Road, North Palm Beach, FL 33408
CONSTRUCTION DOCUMENTS

Comm. No: Project Number
Date: Issue Date
Drawn: FR

Revisions		
No.	Date	Note



TYPICAL DETAILS

TO THE BEST OF OUR KNOWLEDGE INFORMATION AND BELIEF, THESE STRUCTURAL PLANS CONFORM TO AND SATISFY, THE FLORIDA BUILDING CODE, 2014 EDITION, ACI 318-11 AND LOCAL CODES AS APPLICABLE