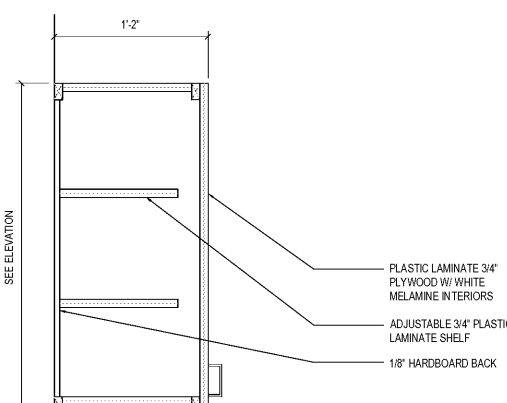
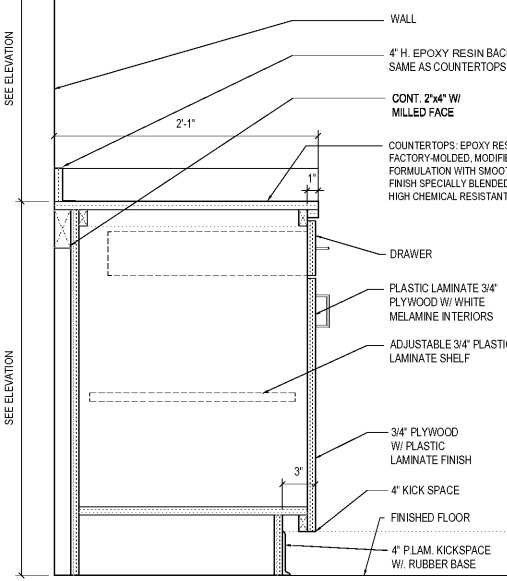


16 TYP. CASEWORK ELEV.  
SCALE: 1/4"=1'-0"

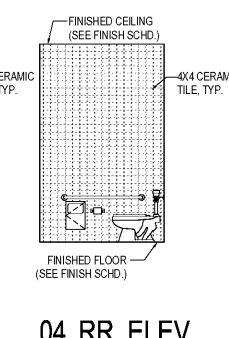
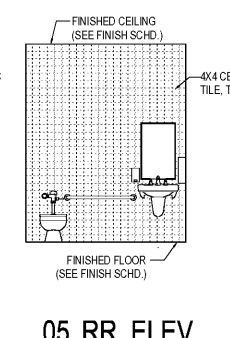
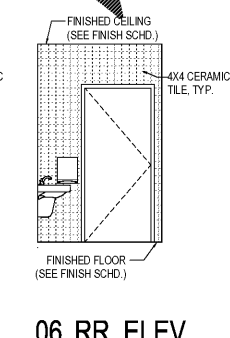
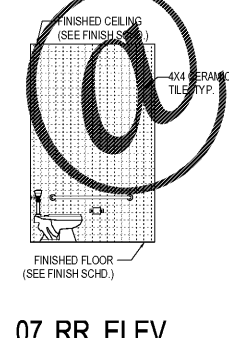
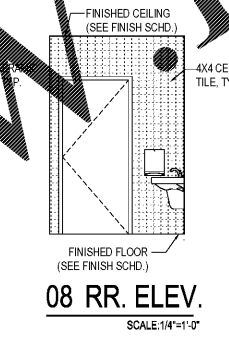
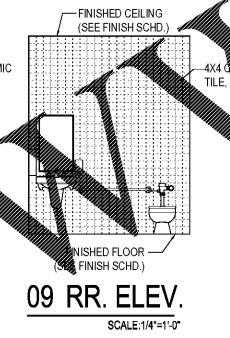
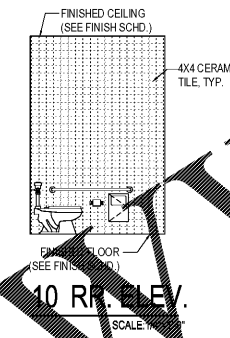
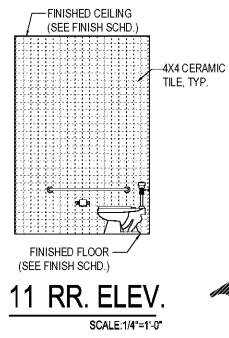
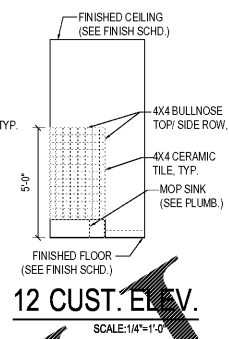
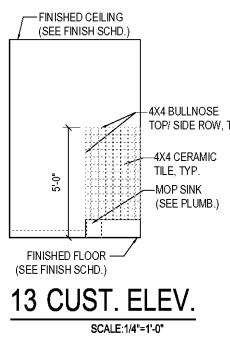
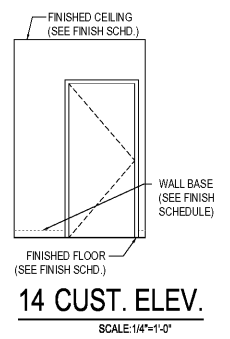
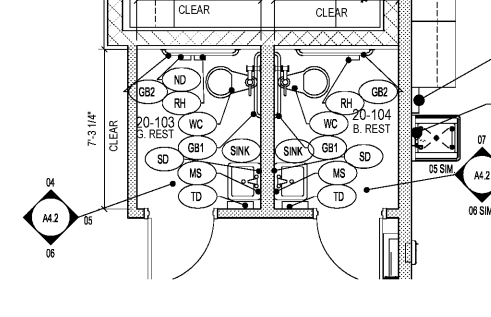
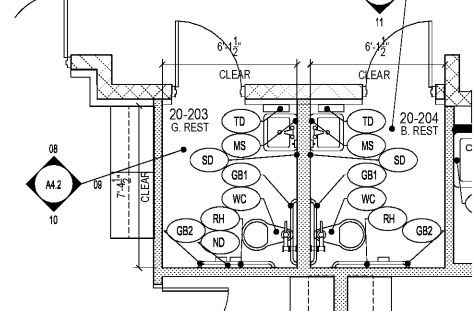
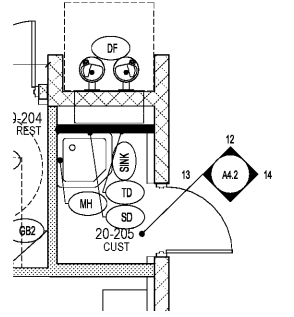
15 TYP. CASEWORK ELEV.  
SCALE: 1/4"=1'-0"



17 CASEWORK ELEV.  
SCALE: 1/2"=1'-0"



18 TYP. CT PATTERN  
SCALE: 1/4"=1'-0"



**MISC. ACCESSORIES & EQUIPMENT**  
(SEE SPECIFICATIONS FOR MORE INFO.)

(SINK)	SINK/LAVATORY - SEE PLUMBING	(TABLE)	SHELDON U603630 STUDENT LAB TABLE - PHENOLIC RESIN TOP
(WC)	FLUSH VALVE TOILET - SEE PLUMBING (COORDINATE W/ LOCATIONS OF GRAB BARS PRIOR TO ROUGH-IN)	(CLK)	CLOCK-CLOCK SYSTEM VERIFY QUANTITY & LOCATION WITH PLANS. REFER TO SPECS.
(DF)	ELECTRICAL WATER COOLER - SEE PLUMBING (SEE SHEET A4.1 FOR MOUNTING HEIGHT)	(TB)	TACK BOARD 4' X 4'
(FD)	FLOOR DRAIN - SEE PLUMBING	(MB)	MARKER BOARD 4' X 8'
(GB1)	36" GRAB BAR - SEE SPECS	(MB1)	MARKER BOARD 4' X 6' (FOR VIDEO)
(GB2)	42" GRAB BAR - SEE SPECS	(REF)	FULL SIZE REFRIGERATOR W/ ICE MAKER FROM WATER LINE CONNECTION SYSTEM FROM NEAREST SINK IN ROOM TYP. SEE SPEC.
(MS)	16"x30" STEEL MIRROR SEE SPECS	(DESK)	PROVIDE TEACHER'S DESK BY SHELDON REFER TO SPECS FOR MORE INFO.
(SD)	WALL MOUNTED LIQUID SOAP DISPENSER SEE SPECS	(ESH-W)	EMERGENCY EYEWASH & SHOWER SEE SPECS
(TD)	RECESSED PAPER TOWEL DISPENSER - SEE SPECS	(STP)	SHORT THROW PROJECTOR OWNED BY CONTRACTOR - INSTALL ALL CONDUITS & CONNECTIONS SEE ELECT.
(TDS)	PAPER TOWEL DISPENSER - SEE SPECS	(DWS)	DIVERSITY SYSTEMS SHUT OFF THE ELECT. DWGS.
(RH)	TOILET PAPER DISPENSER SEE SPECS	(IT)	IT & POWER SYSTEMS CONNECTIONS SEE ELECT. DWGS.
(ND)	SANITARY NAPKIN DISPOSAL SEE SPECS	(MOP)	MOP SYSTEMS CONNECTIONS SEE ELECT. DWGS.
(MH)	MOP HOLDER SEE SPECS	(MOP)	MOP SYSTEMS CONNECTIONS SEE ELECT. DWGS.
(SHLVG)	EXTRA HEAVY DUTY METAL OPEN ADJUSTABLE SHELVING ENAMEL FINISH 14 GA. STEEL MATERIAL ANCHOR TOP OF UNIT TO WALL TYP. BASES OF DESIGN: GLOBE INDUSTRIAL WC236814 1-888-978-2634 OR EQ.	(NOTE)	IN ALL ACCESSIBLE STALLS IN EACH RESTROOM INSTALL A SIGN W/ THE INTERNATIONAL SYMBOL OF ACCESSIBILITY.
(H)	HANDICAPPED CLEAR FLOOR SPACE		
(FE)	INDICATES TABLE SEWAGE		
(FEC)	EXTINGUISHER CABINET, (PROVIDE FIRE BLANKETS AS REQ.)		

BASE CABINETS		WALL CABINETS		
DESCRIPTION BASE UNIT WITH TWO EQUAL DRAWERS, ONE ADJUSTABLE SHELF & TWO HINGED DOORS	DESCRIPTION WALL UNIT WITH TWO ADJUSTABLE SHELVES AND TWO HINGED DOORS	DESCRIPTION SINK BASE UNIT WITH TWO EQUAL DRAWERS, ONE BLANK DRAWER PANEL, SERVICES HOT AND/OR COLD WATER	DESCRIPTION TALL STORAGE, LOCKABLE UNIT WITH ADJUSTABLE SHELVES AND TWO HINGED DOORS ANCHOR TOP OF UNIT TO WALL TYP.	
ITEM SIZE E58 48"Wx24"Hx24"D E59 36"Wx24"Hx24"D E60 48"Wx24"Hx24"D E61 36"Wx24"Hx24"D E62 48"Wx24"Hx24"D	ITEM SIZE E507 48"Wx24"Hx14"D E508 48"Wx24"Hx14"D E509 48"Wx24"Hx14"D E510 36"Wx24"Hx14"D E511 36"Wx24"Hx14"D E512 36"Wx24"Hx14"D E513 36"Wx24"Hx14"D E514 48"Wx24"Hx14"D	DESCRIPTION HANDICAPPED ACCESSIBLE BASIC CABINET TO ACCOMMODATE A SINK	DESCRIPTION EXTRA HEAVY DUTY METAL OPEN ADJUSTABLE SHELVING W/ BAKED ENAMEL FINISH 14 GA. STEEL MATERIAL ANCHOR TOP OF UNIT TO WALL TYP. BASES OF DESIGN: GLOBE INDUSTRIAL WC236814 1-888-978-2634 OR EQ.	
ITEM SIZE E67 48"Wx24"Hx24"D E68 36"Wx24"Hx24"D E69 48"Wx24"Hx24"D E70 48"Wx24"Hx24"D E71 36"Wx24"Hx24"D E72 48"Wx24"Hx24"D	ITEM SIZE E340 48"Wx24"Hx24"D E341 36"Wx24"Hx24"D E342 48"Wx24"Hx24"D E343 36"Wx24"Hx24"D E344 48"Wx24"Hx24"D E345 36"Wx24"Hx24"D E346 48"Wx24"Hx24"D E347 36"Wx24"Hx24"D E348 48"Wx24"Hx24"D E349 36"Wx24"Hx24"D E350 48"Wx24"Hx24"D E351 36"Wx24"Hx24"D E352 48"Wx24"Hx24"D E353 36"Wx24"Hx24"D E354 48"Wx24"Hx24"D E355 36"Wx24"Hx24"D E356 48"Wx24"Hx24"D E357 36"Wx24"Hx24"D E358 48"Wx24"Hx24"D E359 48"Wx24"Hx24"D E360 36"Wx24"Hx24"D E361 36"Wx24"Hx24"D E362 36"Wx24"Hx24"D E363 36"Wx24"Hx24"D E364 48"Wx24"Hx24"D	DESCRIPTION MISCELLANEOUS	DESCRIPTION NEARBY 30" METAL OPEN ADJUSTABLE SHELVING BY BAKED ENAMEL FINISH END PANELS BETWEEN ALL UNITS AND @ ENDS ANCHOR TOP OF UNIT TO WALL TYP.	
ITEM SIZE E304 48"Wx24"Hx24"D E305 36"Wx24"Hx24"D E306 48"Wx24"Hx24"D E307 36"Wx24"Hx24"D E308 48"Wx24"Hx24"D E309 36"Wx24"Hx24"D E310 48"Wx24"Hx24"D E311 36"Wx24"Hx24"D E312 48"Wx24"Hx24"D		ITEM SIZE E306 48"Wx24"Hx24"D	ITEM SIZE E305 36"Wx24"Hx24"D E306 48"Wx24"Hx24"D E307 36"Wx24"Hx24"D E308 48"Wx24"Hx24"D E309 36"Wx24"Hx24"D E310 48"Wx24"Hx24"D E311 36"Wx24"Hx24"D E312 48"Wx24"Hx24"D E313 36"Wx24"Hx24"D E314 48"Wx24"Hx24"D E315 36"Wx24"Hx24"D E316 48"Wx24"Hx24"D E317 36"Wx24"Hx24"D E318 48"Wx24"Hx24"D E319 36"Wx24"Hx24"D E320 48"Wx24"Hx24"D E321 36"Wx24"Hx24"D E322 48"Wx24"Hx24"D E323 36"Wx24"Hx24"D E324 48"Wx24"Hx24"D E325 36"Wx24"Hx24"D E326 48"Wx24"Hx24"D E327 36"Wx24"Hx24"D E328 48"Wx24"Hx24"D E329 36"Wx24"Hx24"D E330 48"Wx24"Hx24"D E331 36"Wx24"Hx24"D E332 48"Wx24"Hx24"D E333 36"Wx24"Hx24"D E334 48"Wx24"Hx24"D E335 36"Wx24"Hx24"D E336 48"Wx24"Hx24"D E337 36"Wx24"Hx24"D E338 48"Wx24"Hx24"D E339 36"Wx24"Hx24"D E340 48"Wx24"Hx24"D	

**HARVARD JOLLY ARCHITECTURE**

**STEM BUILDING THE BENJAMIN SCHOOL - LOWER/MIDDLE SCHOOL**  
11000 Ellison Wilson Road, North Palm Beach, FL 33408  
CONSTRUCTION DOCUMENTS

Comm. No: 16117.00  
Date: 10-23-17

Revisions		
No.	Date	Note

RENÉ TERCILLA AIA, REPP  
© 2017 HARVARD JOLLY, INC.  
INT. ELEVATIONS  
A4.2

**Order Plans**

P:\1817\_20\_Benjamin\_Lower\_School\New\_STEM\_Building\10\_Project\_Development\14\_Drawing\_Sets\Sheet\A4.2.dwg, 10/27/2017 3:52:59 PM, DWG to PDF v3.0