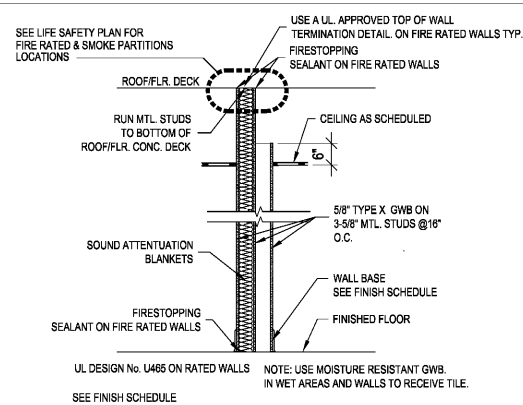
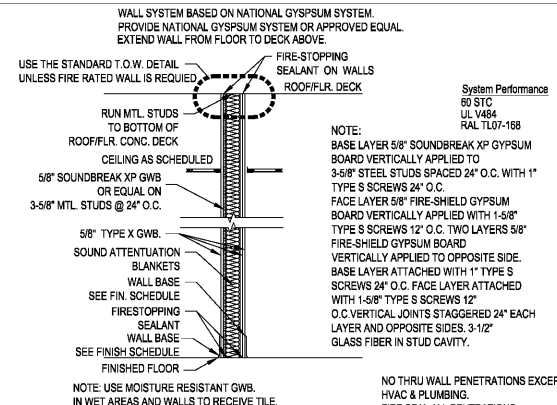


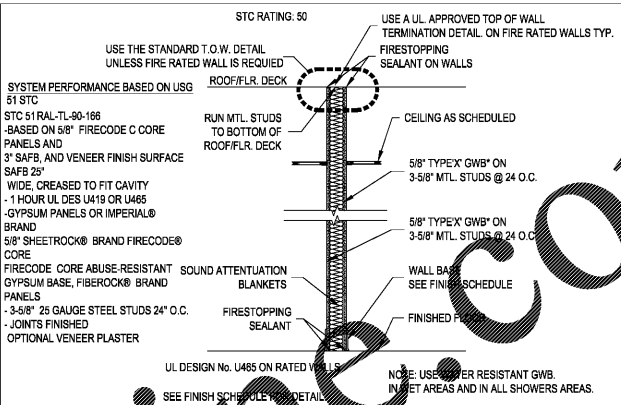
**W4 WALL TYPE**  
SCALE: 1/2"=1'-0"  
A = MTL STUDS NOT TO BOT. OF DECK  
B = W SOUND ATTENUATION BLANKETS  
C = 6" MTL STD. W/ GWB, W SOUND ATTENUATION BLANKETS TO BOT. OF DECK  
D = 1-5/8" MTL STUDS W/ GWB TO BOT. OF DECK



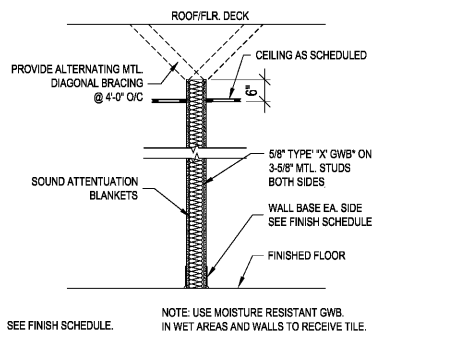
**W3 WALL TYPE**  
SCALE: 1/2"=1'-0"  
UL DESIGN No. U465 ON RATED WALLS  
NOTE: USE MOISTURE RESISTANT GWB IN WET AREAS AND WALLS TO RECEIVE TILE.  
SEE FINISH SCHEDULE



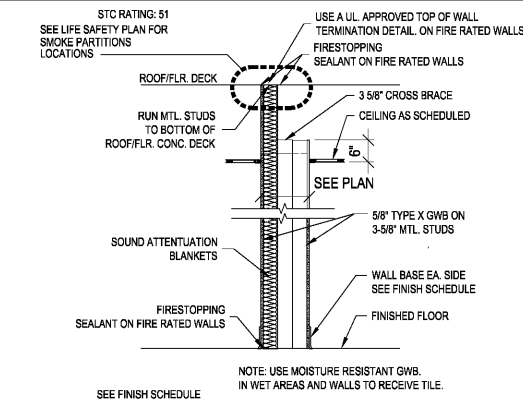
**W2 WALL TYPE**  
SCALE: 1/2"=1'-0"  
A = 6" MTL STUDS-61 STC, UL V484, NRCC B-3456.2  
NOTE: USE MOISTURE RESISTANT GWB IN WET AREAS AND WALLS TO RECEIVE TILE.  
NO THRU WALL PENETRATIONS EXCEPT HVAC & PLUMBING. FIRE SEAL ALL PENETRATIONS.



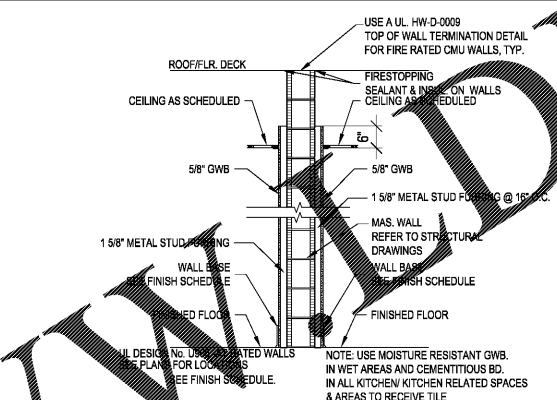
**W4 WALL TYPE**  
SCALE: 1/2"=1'-0"  
A = 6" MTL STUDS-61 STC, UL V484, NRCC B-3456.2  
B = 6" GYP. BD. TYPE X ONE SIDE  
C = PARTITION STOPS TO CEILING-SEE DETAIL 01  
D = GWB ON ONE SIDE.



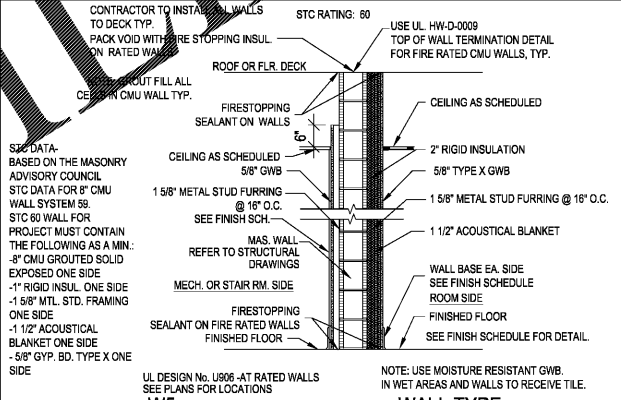
**W8 WALL TYPE**  
SCALE: 1/2"=1'-0"  
A = NO ACOUSTICAL BATT



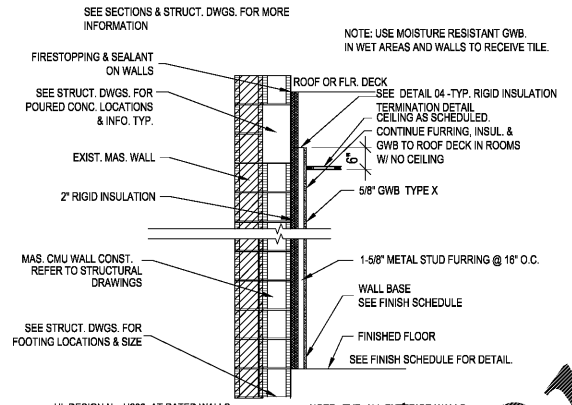
**W7 WALL TYPE**  
SCALE: 1/2"=1'-0"  
A = 5/8" SOUNDBREAK XP GWB OR EQUAL CLASSROOM SIDE  
B = NO SOUND BLANKET



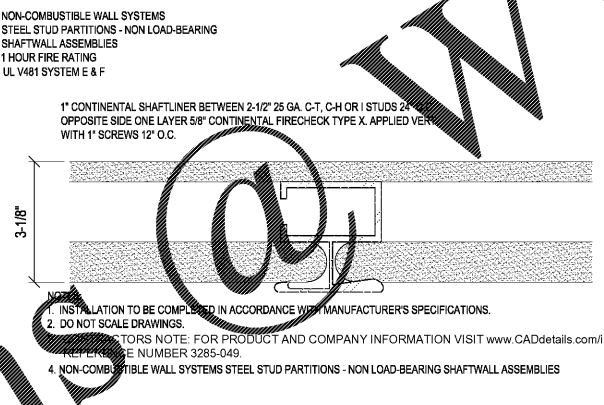
**W6 WALL TYPE**  
SCALE: 1/2"=1'-0"  
A = 3-5/8" MTL STUDS & GWB ON ONE SIDE  
B = 6" MTL STD. INSUL. OR GWB ON BOTH SIDES  
C = 6" MTL STD. CHAN. FRAMING W/ BATTS BETWEEN 7/8" MTL. HAT. CHAN. FRAMING ON STAIR SIDE OF WALL  
D = 6" MTL STD. CHAN. FRAMING W/ BATTS BETWEEN 7/8" MTL. HAT. CHAN. FRAMING ON STAIR SIDE OF WALL  
E = 7/8" MTL. HAT. CHAN. FRAMING W/ BATTS BETWEEN 7/8" MTL. HAT. CHAN. FRAMING ON STAIR SIDE OF WALL



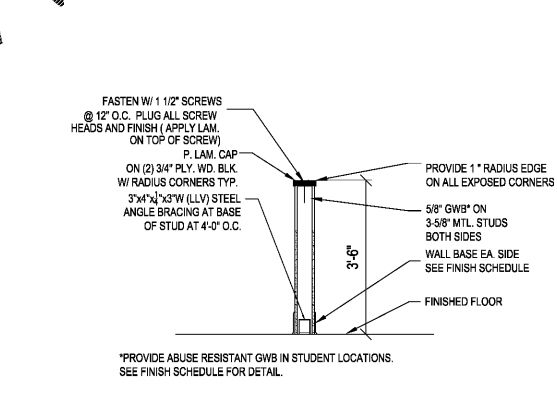
**W5 WALL TYPE**  
SCALE: 1/2"=1'-0"  
A = 3-5/8" MTL STUDS ON RM. SIDE  
B = EXPOSED CMU ON MECH/ELEC OR ELEV. SIDE  
C = 6" MTL STD. & EXPOSED CMU ON MECH/ELEC OR ELEV. SIDE  
D = 6" MTL STD. ON RM. SIDE  
E = 7/8" MTL. HAT. CHAN. FRAMING W/ BATTS BETWEEN 7/8" MTL. HAT. CHAN. FRAMING ON STAIR SIDE OF WALL



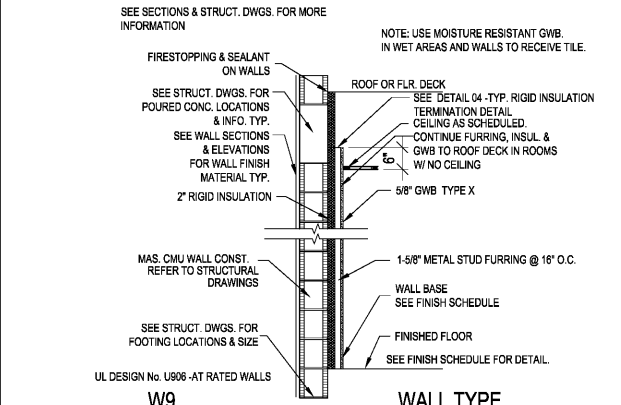
**W12 WALL TYPE**  
SCALE: 1/2"=1'-0"  
UL DESIGN No. U906-AT RATED WALLS  
NOTE: TYP. ALL EXTERIOR WALLS



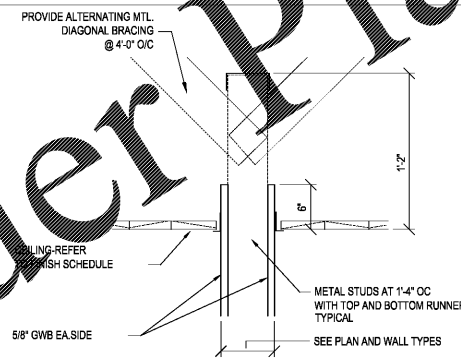
**W11 WALL TYPE**  
SCALE: 1/2"=1'-0"  
1. CONTINENTAL SHAFTLINER BETWEEN 2-1/2" 25 GA. C-T, C-H OR I STUDS 24" O.P. OPPOSITE SIDE ONE LAYER 5/8" CONTINENTAL FIRECHECK TYPE X, APPLIED VERT. WITH 1" SCREWS 12" O.C.  
2. INSTALLATION TO BE COMPLETED IN ACCORDANCE WITH MANUFACTURER'S SPECIFICATIONS. DO NOT SCALE DRAWINGS.  
3. REFER TO MANUFACTURER'S NOTES FOR PRODUCT AND COMPANY INFORMATION VISIT www.CADdetails.com/info  
4. NON-COMBUSTIBLE WALL SYSTEMS STEEL STUD PARTITIONS - NON LOAD-BEARING SHAFTWALL ASSEMBLIES



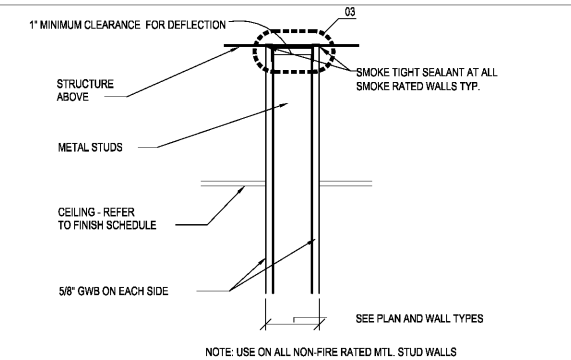
**W10 WALL TYPE**  
SCALE: 1/2"=1'-0"  
A = TOP OF WALL TO FOLLOW RAMP OR STAIR  
\*PROVIDE ABUSE RESISTANT GWB IN STUDENT LOCATIONS. SEE FINISH SCHEDULE FOR DETAIL.



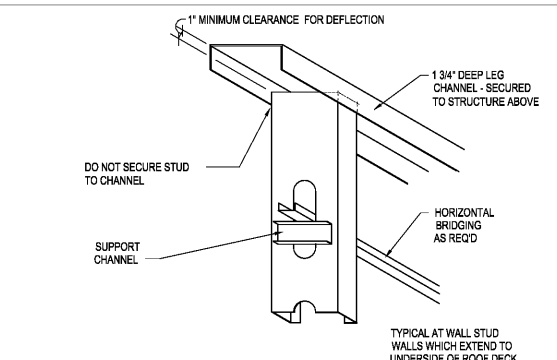
**W9 WALL TYPE**  
SCALE: 1/2"=1'-0"  
A = NO MTL STD. OR GWB. INSTALL INSUL.  
B = NO MTL STD. INSUL. OR GWB. C = 6" MTL STD. FRAMING  
D = 3-5/8" MTL STD. FRAMING  
E = 7/8" MTL. HAT. CHAN. FRAMING W/ BATTS BETWEEN 7/8" MTL. HAT. CHAN. FRAMING ON STAIR SIDE OF WALL  
F = 6" CMU W/ STUCCO FINISHES BOTH SIDES OF WALL



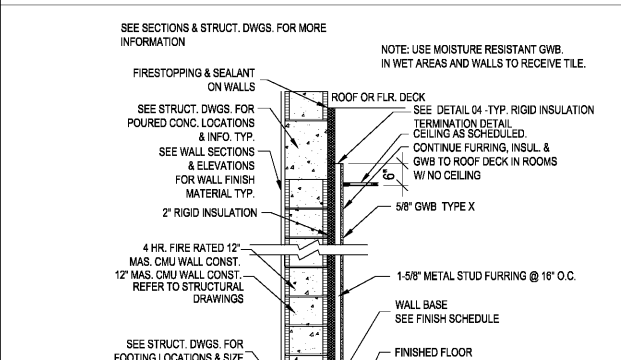
**01 METAL STUD DETAIL**  
SCALE: N.T.S.



**02 TYP. METAL STUD DETAIL**  
SCALE: 1/2"=1'-0"  
NOTE: USE ON ALL NON-FIRE RATED MTL. STUD WALLS



**03 STANDARD NON-FIRE RATED T.O.W. TERMINATION DETAIL**  
SCALE: N.T.S.  
NON-RATED



**W13 WALL TYPE**  
SCALE: 1/2"=1'-0"  
UL DESIGN No. U907-4 HR. FIRE RATED WALL

Order Plans @ WWWW.DLINE.COM

Comm. No: 16117.00  
Date: 10-23-17  
Drawn: ms

Revisions		
No.	Date	Note