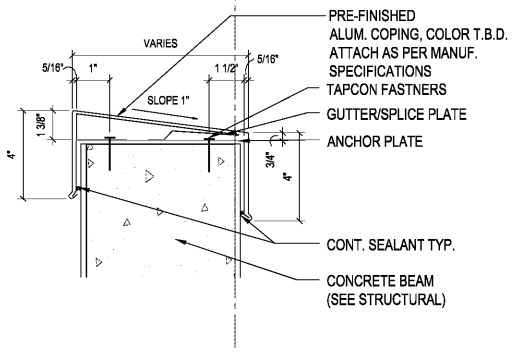
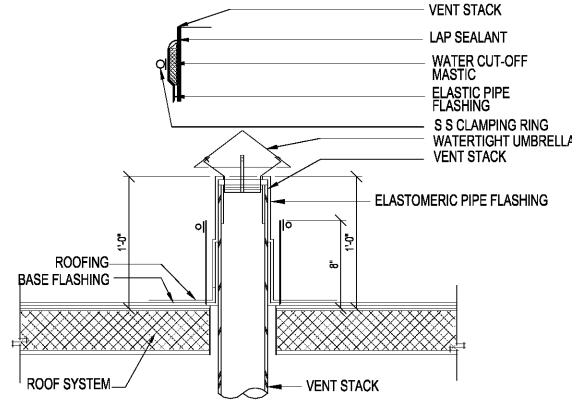


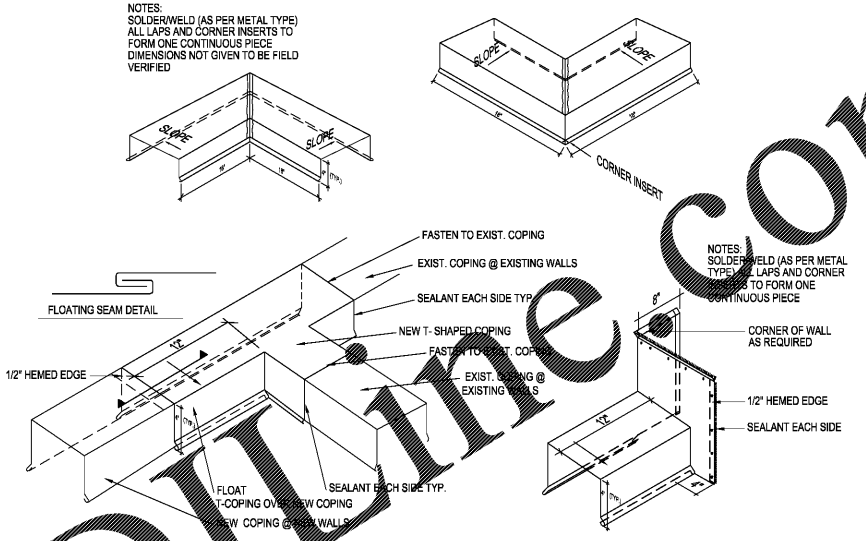
04 TYPICAL ROOF CURB DETAIL
 N.T.S.



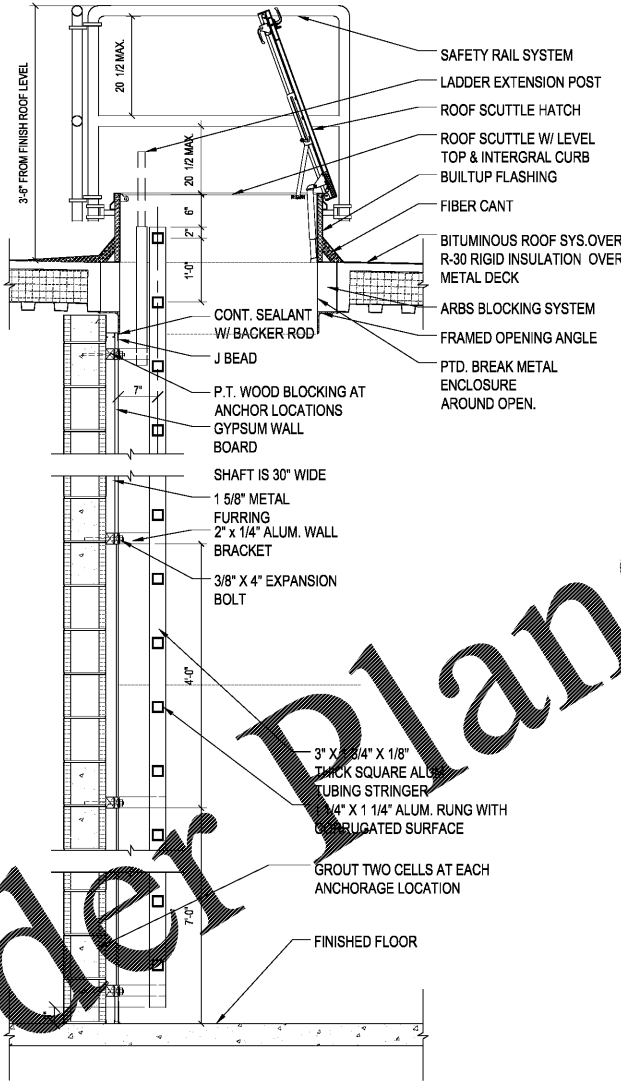
03 TYPICAL COPING DETAIL
 N.T.S.



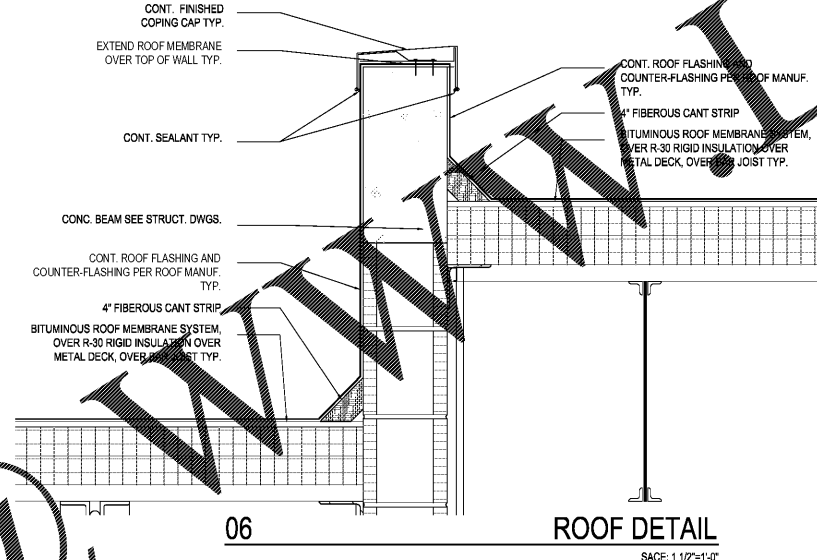
02 TYPICAL ROOF PENETRATION DTL.
 N.T.S.



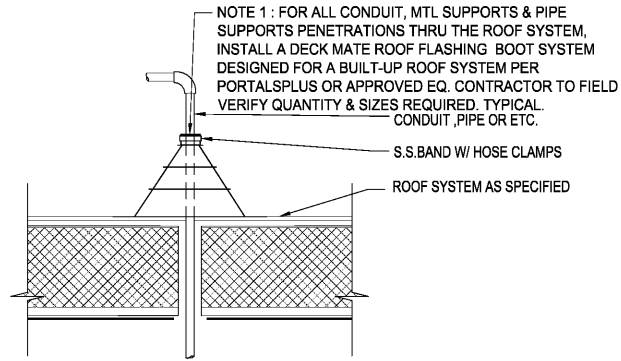
TYPICAL COPING DETAILS
 N.T.S.



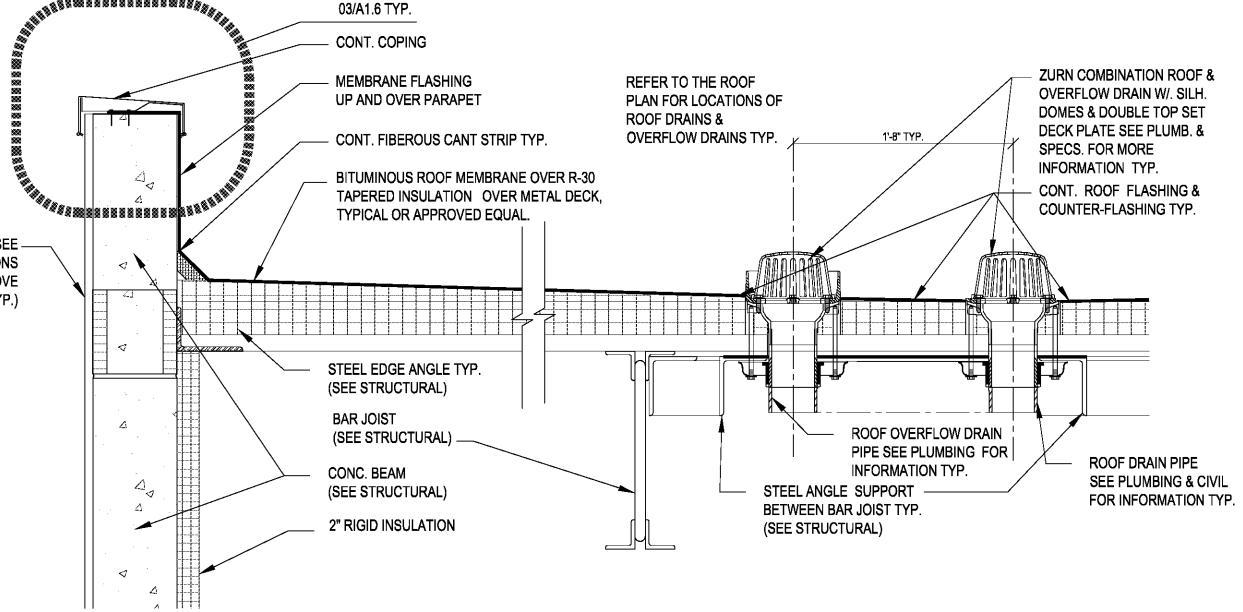
08 ROOF ACCESS LADDER DTL.
 SACE: 3/4"x1'-0"



06 ROOF DETAIL
 SACE: 1 1/2"x1'-0"



05 TYPICAL ROOF PENETRATION DTL.
 N.T.S.



07 TYPICAL ROOF DRAIN DETAIL
 N.T.S.

Order Plans @

Comm. No: 16117.00
 Date: 10-23-17
 Drawn: me

Revisions		
No.	Date	Note