

HOOD INFORMATION

HOOD NO.	TAG	TYPE	FILTER(S)				LIGHT(S)				UTILITY CABINET(S)				FIRE SYSTEM PIPING	HOOD HANGING WGT	
			QTY.	HEIGHT	LENGTH	EFFICIENCY @ 7 MICRONS	QTY.	TYPE	WIRE GUARD	LOCATION	SIZE	TYPE	SIZE	ELECTRICAL MODEL #			SWITCHES QUANTITY
1	#112	Captrate Solo Filter	5	20"	16"	85% See Filter Spec.	2	12" x 12" LED	NO	Right	12"x54"x24"	Ansul R102	3.0	DCV-1111	1 Light 1 Fan	YES	717 LBS
2	#221	Captrate Solo Filter	7	20"	16"	85% See Filter Spec.	2	12" x 12" LED	NO	Left	12"x72"x24"	Ansul R102	3.0	DCV-1111	1 Light 1 Fan	YES	831 LBS
3	#402L	Captrate Solo Filter	6	16"	16"	85% See Filter Spec.	2	12" x 12" LED	NO							YES	543 LBS
4	#402R	Captrate Solo Filter	7	20"	16"	85% See Filter Spec.	3	12" x 12" LED	NO	Right	12"x60"x24"	Ansul R102	3.0/3.0	DCV-1111	1 Light 1 Fan	YES	812 LBS
5	#427 Back	Captrate Solo Filter	12	20"	16"	85% See Filter Spec.	4	12" x 12" LED	NO	Left	12"x66"x24"	Ansul R102	3.0/3.0			YES	1078 LBS
6	#427 front	Captrate Solo Filter	12	20"	16"	85% See Filter Spec.	4	12" x 12" LED	NO	Right	12"x60"x24"			DCV-1111	1 Light 1 Fan	YES	1060 LBS
7	#418 Back	Captrate Solo Filter	12	20"	16"	85% See Filter Spec.	4	12" x 12" LED	NO	Left	12"x66"x24"					YES	1035 LBS
8	#418 front	Captrate Solo Filter	12	20"	16"	85% See Filter Spec.	4	12" x 12" LED	NO	Right	12"x60"x24"	Ansul R102	3.0/3.0	DCV-1111	1 Light 1 Fan	YES	1098 LBS

HOOD INFORMATION - Job#3075812

HOOD NO.	TAG	MODEL	LENGTH	MAX. COOKING TEMP.	EXHAUST PLENUM RISER(S)						TOTAL SUPPLY CFM	HOOD CONSTRUCTION	HOOD CONFIG.			
					TOTAL EXH. CFM	WIDTH	LENG.	HEIGHT	DIA.	CFM			VEL.	S.P.	END TO	ROW
1	#112	5424 ND-2-PSP-F	7' 0.00"	450 Deg.	1680			4"	14"	1680	1572	-0.675"	1344	430 SS Where Exposed	ALONE	ALONE
2	#221	7224 ND-2-PSP-F	10' 0.00"	450 Deg.	2000			4"	14"	2000	1871	-0.801"	1600	430 SS Where Exposed	ALONE	ALONE
3	#402L	6024 ND-2-PSP-F	9' 0.00"	600 Deg.	1980			4"	14"	1980	1852	-1.074"	1584	430 SS Where Exposed	LEFT	ALONE
4	#402R	6024 ND-2-PSP-F	10' 6.00"	600 Deg.	2888			4"	16"	2888	2068	-1.214"	2022	430 SS Where Exposed	RIGHT	ALONE
5	#427 Back	6624 ND-2-PSP-F	16' 0.00"	600 Deg.	4000			4"	14"	2000	1871	-0.861"	3120	430 SS Where Exposed	ALONE	BACK
6	#427 front	6024 ND-2-PSP-F	16' 0.00"	600 Deg.	3680			4"	14"	1840	1721	-0.728"	2944	430 SS Where Exposed	ALONE	FRONT
7	#418 Back	6624 ND-2-PSP-F	16' 0.00"	600 Deg.	4000			4"	14"	2000	1871	-0.861"	3120	430 SS Where Exposed	ALONE	BACK
8	#418 front	6024 ND-2-PSP-F	16' 0.00"	600 Deg.	3680			4"	14"	1840	1721	-0.728"	2944	430 SS Where Exposed	ALONE	FRONT

ALL HOODS SHALL BE ETL LISTED AND LABELED IN COMPLIANCE WITH

UL 710 & ULC710 STANDARDS E.T.L. LISTED 3054804-001

NSF NFPA #96 UL 710 & ULC710 STANDARDS E.T.L. LISTED 3054804-001

HOOD OPTIONS

HOOD NO.	TAG	OPTION
1	#112	FIELD WRAPPER 18.00" High Front, Left, Right BACKSPLASH 122.00" High X 265.00" Long 430 SS Vertical RIGHT VERTICAL END PANEL 27" Top Width, 21" Bottom Width, 80" High Insulated 430 SS LEFT VERTICAL END PANEL 27" Top Width, 21" Bottom Width, 80" High Insulated 430 SS
2	#221	FIELD WRAPPER 18.00" High Front, Left BACKSPLASH 122.00" High X 415.00" Long 430 SS Vertical RIGHT SIDESPLASH 122.00" High X 90.00" Long 430 SS Vertical RIGHT END STANDOFF (FINISHED) 1" Wide 72" Long Insulated LEFT VERTICAL END PANEL 27" Top Width, 21" Bottom Width, 80" High Insulated 430 SS
3	#402L	FIELD WRAPPER 18.00" High Front, Left BACKSPLASH 122.00" High X 282.00" Long 430 SS Vertical BALANCE DAMPERS
4	#402R	FIELD WRAPPER 18.00" High Front, Right BALANCE DAMPERS
5	#427 Back	FIELD WRAPPER 18.00" High Front, Left, Right BALANCE DAMPERS SENSOR-CV MOUNT SENSOR(S) IN HOOD CAPTURE VOLUME
6	#427 front	FIELD WRAPPER 18.00" High Front, Left, Right BALANCE DAMPERS SENSOR-CV MOUNT SENSOR(S) IN HOOD CAPTURE VOLUME
7	#418 Back	FIELD WRAPPER 18.00" High Front, Left, Right BALANCE DAMPERS
8	#418 front	FIELD WRAPPER 18.00" High Front, Left, Right BALANCE DAMPERS SENSOR-CV MOUNT SENSOR(S) IN HOOD CAPTURE VOLUME

SPECIFICATION: CAPTRATE GREASE-STOP SOLO FILTER

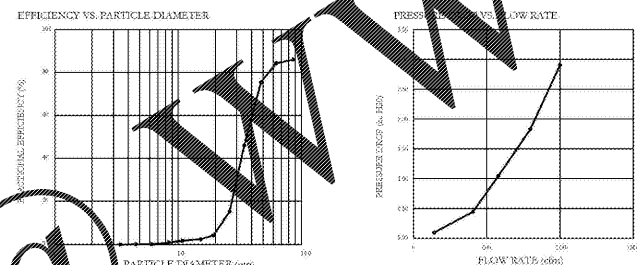
THE CAPTRATE GREASE-STOP SOLO FILTER IS A SINGLE-STAGE FILTER FEATURING A UNIQUE S-BAFFLE DESIGN IN CONJUNCTION WITH A SLOTTED REAR BAFFLE DESIGN, TO DELIVER EXCEPTIONAL FILTRATION EFFICIENCY.

FILTER IS STAINLESS STEEL CONSTRUCTION, AND SIZED TO FIT INTO STANDARD 2-INCH DEEP HOOD CHANNEL(S).

UNITS SHALL INCLUDE STAINLESS STEEL HANDLES AND A FASTENING DEVICE TO SECURE THE COMPONENTS WHEN ASSEMBLED.

GREASE EXTRACTION EFFICIENCY PERFORMANCE SHALL REMOVE AT LEAST 75% OF GREASE PARTICLES FIVE MICRONS IN SIZE, AND 85% GREASE PARTICLES SEVEN MICRONS IN SIZE OR LARGER, WITH A CORRESPONDING PRESSURE DROP NOT TO EXCEED 1.0 INCHES OF WATER COLUMN.

THE CAPTRATE GREASE-STOP SOLO WAS TESTED TO ASTM STANDARD ASTM F2519-05.

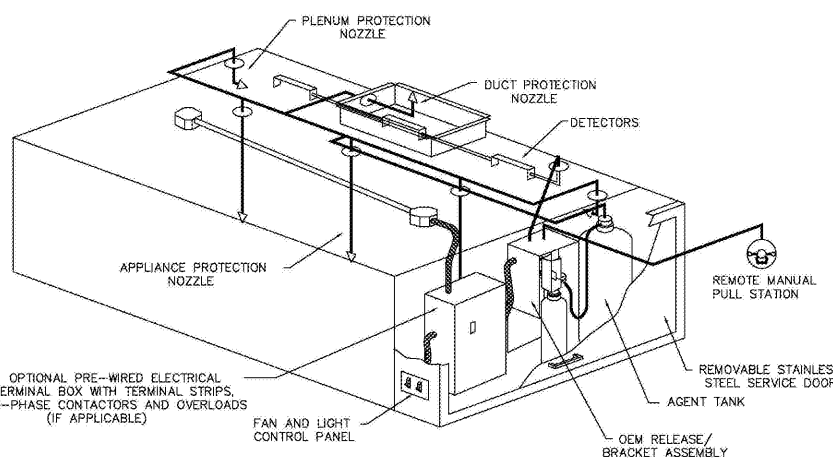


CAPTRATE FILTERS ARE BUILT IN COMPLIANCE WITH:

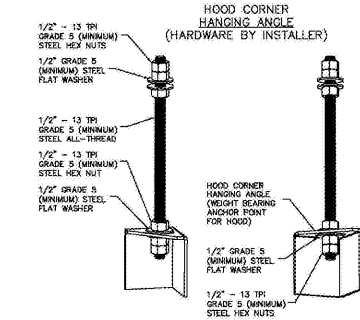
NFPA #96
UL STANDARD #101
UL ETL CODE (MCC)
ULC-5649

PERFORATED SUPPLY PLENUM(S)

HOOD NO.	TAG	POS.	LENGTH	WIDTH	HEIGHT	TYPE	RISER(S)			
							WIDTH	LENG.	DIA.	S.P.
1	#112	Front	96"	16"	6"	MUA	12"	28"	670	0.171"
2	#221	Front	133"	14"	6"	MUA	12"	28"	798	0.190"
3	#402L	Front	108"	16"	6"	MUA	12"	28"	792	0.202"
4	#402R	Front	138"	16"	6"	MUA	12"	28"	674	0.171"
5	#427 Back	Front	204"	16"	6"	MUA	12"	28"	780	0.227"
6	#427 front	Front	204"	16"	6"	MUA	12"	28"	736	0.204"
7	#418 Back	Front	104"	16"	6"	MUA	12"	28"	780	0.227"
8	#418 front	Front	204"	16"	6"	MUA	12"	28"	736	0.204"



TYPICAL ANSUL R-102 SYSTEM LAYOUT



ASSEMBLY INSTRUCTIONS

HANGING ANGLE MUST BE SUPPORTED WITH 1/2" - 13 TPI GRADE 5 (MINIMUM) ALL-THREAD, SANDWICH HANGING ANGLES AND CEILING ANCHOR POINTS WITH 1/2" GRADE 5 (MINIMUM) STEEL FLAT WASHERS AND 1/2" - 13 TPI GRADE 5 (MINIMUM) HEX NUTS AS SHOWN. MUST USE DOUBLED HEX NUT CONFIGURATION BENEATH HOOD HANGING ANGLES AND ABOVE CEILING ANCHORS. MAINTAIN 1/4" OF EXPOSED THREADS BENEATH BOTTOM HEX NUT. TORQUE ALL HEX NUTS TO 57 FT-LBS.

KITCHEN HOOD (TYPE-I AND TYPE-II) GENERAL NOTES:

- ALL KITCHEN HOODS SHALL BE U.L. 710 LISTED AND LABELED.
- ALL KITCHEN HOODS SHALL BE CONSTRUCTED AND INSTALLED PER NFPA 96.
- ALL KITCHEN HOODS SHALL BE SUPPLIED BY ONE MANUFACTURER UNLESS NOTED OTHERWISE.
- PROVIDE STAINLESS STEEL ENCLOSURE AROUND TOP OF HOOD AS REQUIRED TO CLOSE OPENING IN CEILING.
- MOUNT KITCHEN HOOD 6"-6" ABOVE FINISH FLOOR (UNLESS NOTED OTHERWISE).
- MECHANICAL CONTRACTOR SHALL BE RESPONSIBLE FOR HOOD CERTIFICATION IN COMPLIANCE WITH LOCAL CODE REQUIREMENTS. CERTIFICATION SHALL BE WITNESSED AND PERFORMED BY A PERSON CERTIFIED THROUGH AABC, TABB, NEBB OR NBC AND SHALL PROVIDE DOCUMENTATION OF PERFORMANCE TO THE CODE OFFICIAL. ALL EQUIPMENT SHALL BE ENERGIZED AND IN OPERATION DURING THE TEST. TEST SHALL ALSO INCLUDE VERIFYING ACTUAL FLOW RATES VERSUS DESIGN FLOW RATES.
- POWER SUPPLY TO THE KITCHEN HOOD IS A SINGLE POINT ELECTRICAL CONNECTION FOR THE SYSTEM (FAN AND KITCHEN HOOD). THE MECHANICAL CONTRACTOR SHALL COORDINATE ALL ELECTRICAL WIRING (INCLUDING DISCONNECTS, FUSES, AND/OR CIRCUIT BREAKERS) REQUIREMENTS WITH THE ELECTRICAL CONTRACTOR PRIOR TO INSTALLING THE KITCHEN HOOD AND FAN(S). THE ELECTRICAL CONTRACTOR SHALL PROVIDE POWER TO THE KITCHEN HOOD AND FROM THE KITCHEN HOOD TO THE FAN(S) INCLUDING CODE REQUIRED DISCONNECT SWITCHES. THE KITCHEN HOOD MANUFACTURER SHALL PROVIDE ALL CONTROL WIRING AND CONTROL INTERLOCKS BETWEEN THE KITCHEN HOOD AND THE FAN(S) INTEGRAL TO THE KITCHEN HOOD.
- REFERENCE SHEETS M401-M415 FOR KITCHEN HOOD DETAILS.

TYPE-I KITCHEN HOOD NOTES:

- 304 STAINLESS STEEL (MINIMUM 0.037 INCHES THICK) CONSTRUCTION. PROVIDE A CONTROL PANEL MOUNTED ON FACE OF HOOD WITH MASTER DISCONNECT SWITCH, STAGER(S) FOR FAN(S), CONTROL STAGE TRANSFORMER, FIRE CONTROL SYSTEM RELAY AND TERMINAL SWITCH. HOOD SHALL BE PROVIDED WITH AUTOMATICALLY OPERATED FIXED PIPE FIRE SUPPRESSION SYSTEM IN ACCORDANCE WITH NFPA 96, CONTROL SWITCHES AND PILOT LIGHT(S) FOR FAN(S), VAPOR-PROOF INCANDESCENT LIGHT FIXTURES, STAINLESS STEEL GREASE FILTERS, FIRE DAMPER (212 LINK) IN MAKE-UP AIR DUCT COLLAR.
- CLEARANCES FROM KITCHEN HOOD TO COMBUSTIBLE MATERIALS SHALL BE 0 INCHES. NON-COMBUSTIBLE ASSEMBLIES OR MATERIALS INCLUDE BRICK, CLAY TILE, CONCRETE MASONRY, PLASTER, CERAMIC, OR QUARRY TILE OR BRICK, CLAY TILE OR CONCRETE MASONRY PRODUCTS.
- CLEARANCES FROM KITCHEN HOOD TO LIMITED-COMBUSTIBLE ASSEMBLIES OR MATERIALS SHALL BE 3 INCHES. LIMITED-COMBUSTIBLE ASSEMBLIES AND MATERIALS INCLUDE GYPSUM BOARD ON SHEET METAL STUDS OR SOLID GYPSUM BOARD.
- CLEARANCES FROM KITCHEN HOOD TO COMBUSTIBLE ASSEMBLIES OR MATERIALS SHALL BE 18 INCHES. COMBUSTIBLE ASSEMBLIES AND MATERIALS INCLUDE ANY WOOD FRAMING OR WOOD PANELING.
- THE MECHANICAL CONTRACTOR SHALL COORDINATE CLOSELY WITH THE GENERAL CONTRACTOR AND THE KITCHEN EQUIPMENT SUPPLIER TO MAINTAIN THE CORRECT CLEARANCES FROM THE KITCHEN HOOD IN ORDER TO COMPLY WITH THE LATEST EDITION OF NFPA 96 AND THE LATEST EDITION OF THE MECHANICAL CODE IN EFFECT IN THIS JURISDICTION. THE KITCHEN HOOD MANUFACTURER'S INSTALLATION INSTRUCTIONS SHALL BE SECURED ON THE JOB SITE AND MADE AVAILABLE FOR THE INSPECTORS REVIEW AT ALL TIMES.

TYPE-I KITCHEN HOOD FIRE SUPPRESSION NOTES:

- A MANUAL ACTUATION DEVICE SHALL BE LOCATED AT OR NEAR A MEANS OF EGRESS FROM THE COOKING AREA, A MINIMUM OF 10 FEET AND A MAXIMUM OF 20 FEET FROM THE KITCHEN EXHAUST SYSTEM. THE MANUAL ACTUATION DEVICE SHALL BE LOCATED A MINIMUM OF 3.5 FEET AND A MAXIMUM OF 4 FEET ABOVE THE FLOOR AND CLEARLY INDICATE THE HAZARD PROTECTED. THE MANUAL ACTUATION SHALL REQUIRE A MAXIMUM FORCE OF 40 POUNDS AND A MAXIMUM MOVEMENT OF 14 INCHES TO ACTUATE THE FIRE SUPPRESSION SYSTEM. REMOTE PULL STATION FOR ACTIVATION OF FIRE SUPPRESSION SYSTEM SHALL BE PROVIDED AND INSTALLED WHERE INDICATED ON THE PLANS. MECHANICAL CONTRACTOR SHALL INSTALL 1/2" CONDUIT IN WALL FOR MANUAL PULL STATION.
- THE ACTUATION OF THE FIRE SUPPRESSION SYSTEM SHALL AUTOMATICALLY:
 - SHUT DOWN THE FUEL (SOLENOID GAS VALVE PROVIDED AND INSTALLED BY PLUMBING CONTRACTOR) AND/OR ELECTRICAL POWER (SHUNT-TRIP BREAKER PROVIDED AND INSTALLED BY ELECTRICAL CONTRACTOR) SUPPLY TO THE COOKING EQUIPMENT. THE FUEL AND/OR ELECTRICAL SUPPLY RESET SHALL BE MANUAL.
 - ALLOW KITCHEN HOOD EXHAUST FAN TO CONTINUE TO OPERATE.
 - SHUT DOWN ALL ASSOCIATE AIR HANDLING UNITS.
 - NOTIFY THE FIRE ALARM SYSTEM (PROVIDED AND INSTALLED BY ELECTRICAL CONTRACTOR).
 - SHUT DOWN KITCHEN HOOD SUPPLY FAN(S).
- THE HOOD FIRE SUPPRESSION SYSTEM SHALL BE UL 300 LISTED. FIRE SUPPRESSION SYSTEM SHALL BE ANSUL PIRANHA WITH PRX LIQUID FIRE SUPPRESSANT AND SELF CONTAINED WATER SUPPLY.
- ALL EXPOSED PIPING WITH FIRE SUPPRESSION SYSTEM SHALL BE COVERED WITH A CHROME SLEEVE.
- G.C. SHALL PROVIDE CLASS K FIRE EXTINGUISHER WITH KITCHEN HOOD.

WILKES COMMUNITY COLLEGE
WILKES COMMUNITY COLLEGE
 SCC# 101A
 NCCO# 226
CULINARY LAB

McKNIGHT · SMITH
 WARD · GRIFFIN
 ENGINEERS, INCORPORATED
 PO Box 240528 · 4223 South Boulevard
 Charlotte, NC 28224
 704.333.6606 FAX 704.333.2802
 704.927-2112 17-080

LS3P

227 WEST TRADE STREET SUITE 700
 CHARLOTTE, NORTH CAROLINA 28202
 TEL. 704.333.6606 FAX 704.333.2826
 WWW.LS3P.COM

MEMBERS OF THE AMERICAN INSTITUTE OF ARCHITECTS

1750
 01-12-2018

COPYRIGHT 2016 ALL RIGHTS RESERVED
 PRINTED OR ELECTRONIC DRAWINGS AND DOCUMENTATION MAY NOT BE REPRODUCED IN ANY FORM WITHOUT WRITTEN PERMISSION FROM LS3P ASSOCIATES L.P.D.

REVISIONS:

No.	Description	Date

PROJECT: 9202-169779
 DATE: 12/18
 DRAWN BY: CCO
 CHECKED BY: JCC

KITCHEN HOODS AND FANS

M-401