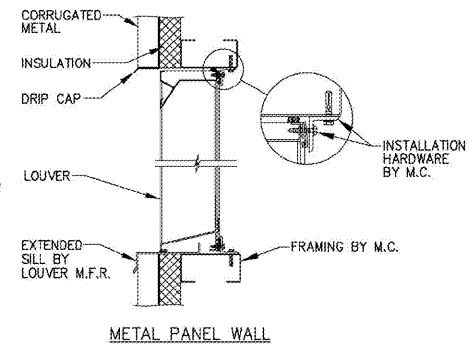
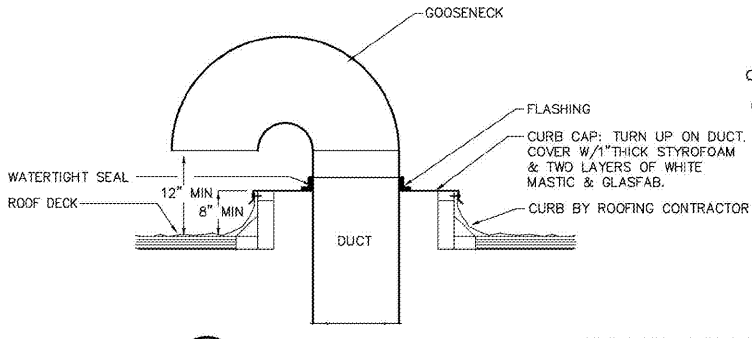


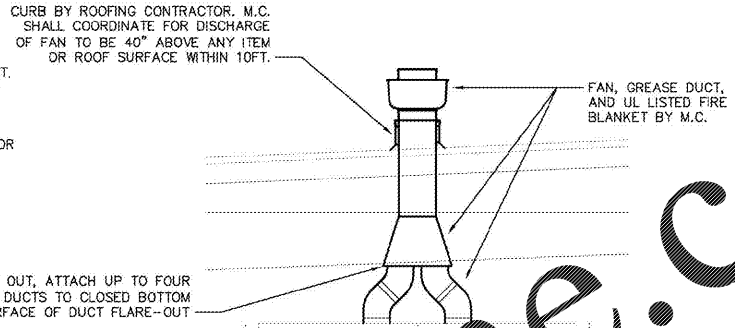
12 INLINE FAN DETAIL
 M301 NTS



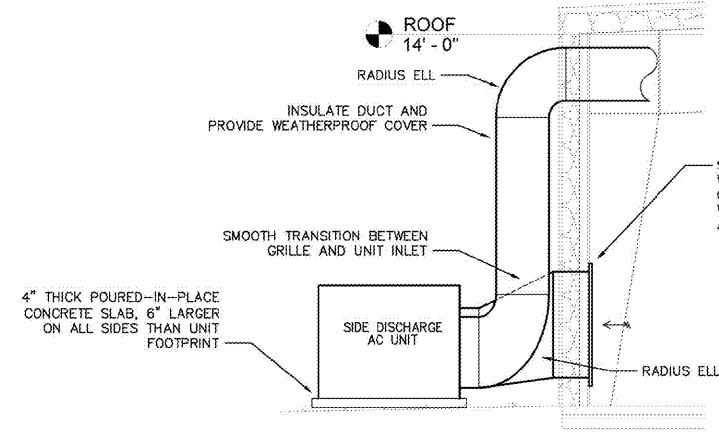
13 LOUVER ATTACHMENT DETAIL
 M301 NTS



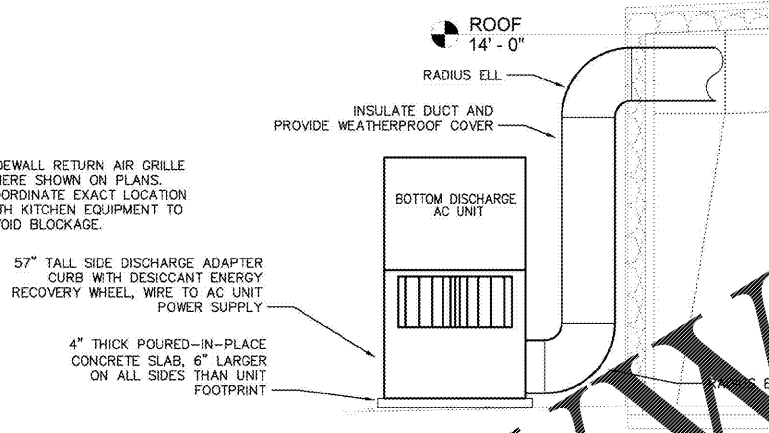
14 GOOSENECK DETAIL
 M301 NTS



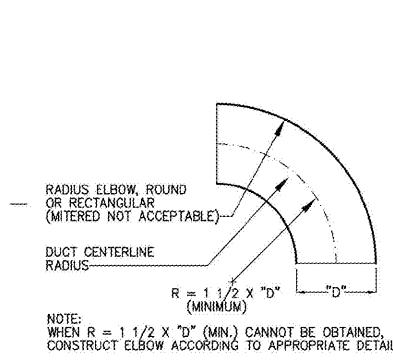
11 KITCHEN EXHAUST FAN DETAIL
 M301 NTS



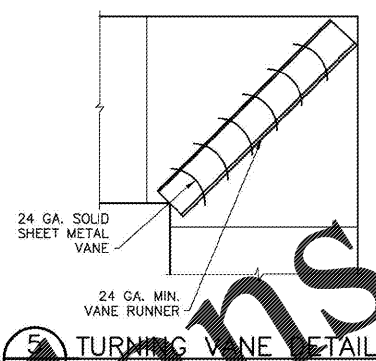
9 PACKAGED UNIT / MAKEUP FAN DETAIL
 M301 NTS



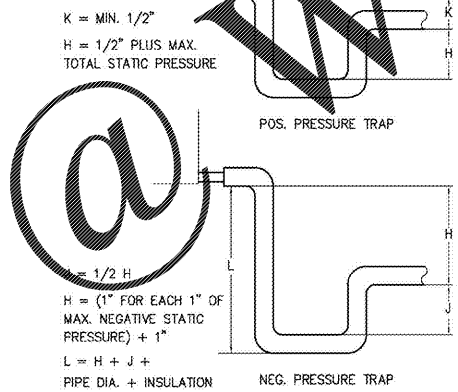
10 PACKAGED UNIT AC-1 DETAIL
 M301 NTS



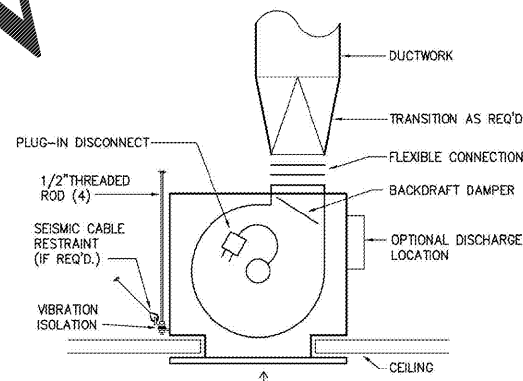
4 RADIUS ELBOW DETAIL
 M301 NTS



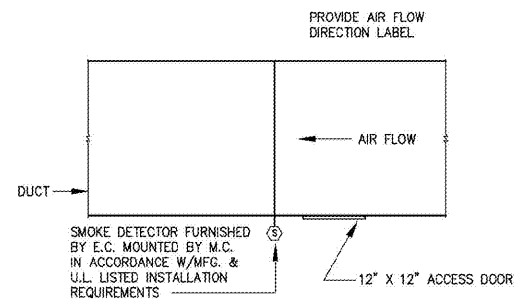
5 TURNING VANE DETAIL
 M301 NTS



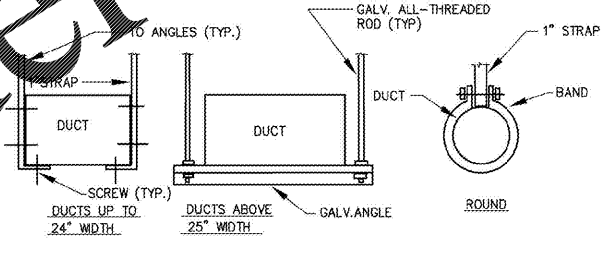
6 CONDENSATE TRAP DETAIL
 M301 NTS



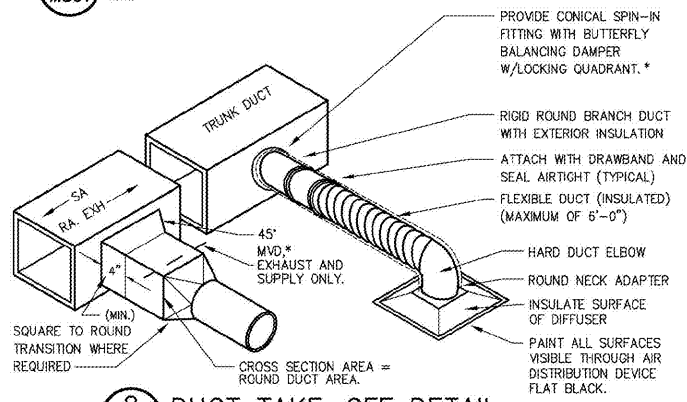
7 CEILING EXHAUST FAN DETAIL
 M301 NTS



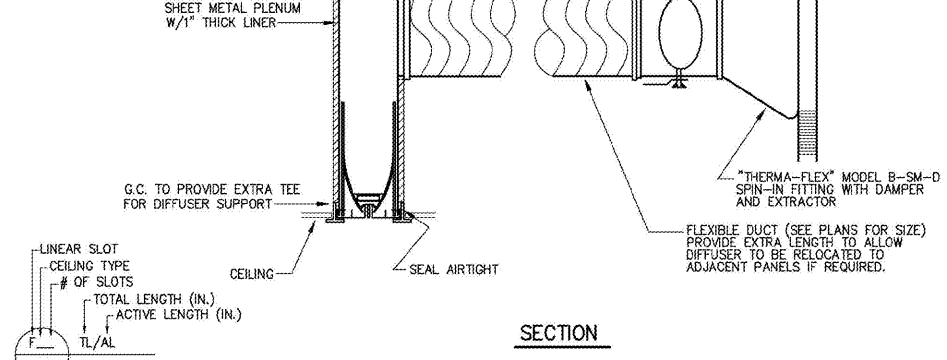
8 SMOKE DETECTOR MOUNTING DETAIL
 M301 NTS



1 DUCTWORK HANGER DETAILS
 M301 NTS



2 DUCT TAKE-OFF DETAIL
 M301 NTS



3 LINEAR SLOT DIFFUSER/RA SOUNDTRAP DETAIL
 M301 NTS

Order Plans

C:\Users\mwm\OneDrive\Documents\17413_WILKES CC_CULINARY LAB_IBEWG_MP_2016_ibrowm.rvt
 1/2/2018 1:57:29 PM