

| PLUMBING FIXTURE SCHEDULE |                          |        |      |    |    |   |
|---------------------------|--------------------------|--------|------|----|----|---|
| SYM                       | DESCRIPTION              | CW     | HW   | W  | V  | REMARKS   |
| P-1                       | WATER CLOSET (WALL HUNG) | 1 1/4" | -    | 3" | 2" | KOHLER "KINGSTON" K-4325, BENKE 527SS SEAT; SLOAN ROYAL 115-1.25GPF-YK FLUSH VALVE; 1,3,4,5,6,7,8   |
| P-1H                      | WATER CLOSET (WALL HUNG) | 1 1/4" | -    | 3" | 2" | KOHLER "KINGSTON" K-4325; BENKE 527SS SEAT; SLOAN ROYAL 111 FLUSH VALVE FOR H/C; 1,3,4,5,6,7,8  |
| P-2                       | URINAL                   | 3/4"   | -    | 2" | 2" | KOHLER "DEXTER" K-5016-ET W/SLOAN ROYAL 198-0.5 FLUSH VALVE (0.5GPF); 1,3,4,6   |
| P-3                       | LAVATORY (WALL GRID)     | 1/2"   | 1/2" | 2" | 2" | KOHLER "HUDSON" K-2881; SLOAN SF-2350-BDM (0.25GPC) FAUCET; K-7607 SUPPLY; K-8998 TRAP; K-7129-A DRAIN; K-7607 SUPPLY; K-8998 TRAP; K-7129-A DRAIN; 1,2,3,9,15,17 |
| P-4                       | SINGLE CMPT. SINK (ADA)  | 1/2"   | 1/2" | 2" | 2" | ELKAY LR4D-2219-65 W/LK-335 STRAINER; CHICAGO Z01A-QNB4-E2805-1000 FAUCET (0.5GPM); KOHLER K-7607 SUPPLY; K-9000 TRAP; 1,2,10,15,16                               |
| P-5                       | MOP BASIN                | 1/2"   | 1/2" | 3" | 2" | FIAT MSB-2424 W/ 830-AA FAUCET, 832-AA HOSE BRACKET, 889-CC MOP HANGER & SEALANT AS REQUIRED. INCLUDE SS WALL GUARDS; 1,14,19                                     |
| P-6                       | WATER COOLER             | 1/2"   | -    | 2" | 2" | DASIS MODEL P8ACSL, PROVIDE ACCESSORY APRON ON UPPER UNIT. PROVIDE STOP & TRAP. COLOR SELECTED BY ARCHITECT; 1,13,18  |
| P-7                       | UTILITY BOX              | 1/2"   | -    | -  | -  | GUY-GRAY AB970DHA; 1,20   |
| P-8                       | CLOTHES WSHR DRAIN BOX   | 1/2"   | 1/2" | 3" | 2" | GUY-GRAY MB20DHA; 1,20  |

- SEE ARCHITECTURAL PLANS FOR EXACT LOCATION AND MOUNTING HEIGHTS OF ALL FIXTURES.
- PROVIDE TRUBRO MODEL 102 INSULATION KIT, PLUMBEREX MODEL PRO-2000 OR McGUIRE PWB902 PRE-DRILLED CAST P-TRAP ASSEMBLY KIT ON ALL HANDICAP ACCESSIBLE LAVATORIES AND/OR SINKS.
- PROVIDE CARRIERS FOR ALL WALL MOUNTED FIXTURES. FOR LAVATORIES: SINGLE HANGER FOR BLOCK WALLS; FOR GYPBOARD WALL, PROVIDE FLOOR-MOUNT ARM CARRIERS (CONCEALED OR EXPOSED PER MFR'S REQUIREMENTS).
- EQUAL CHINA FIXTURE BY AMERICAN STANDARD, ZURN & SLOAN.
- EQUAL TOILET SEAT BY BENKE, OLSONITE & BENKE.
- EQUAL FLUSH VALVES BY ZURN & TOTO.
- TOP OF FLUSH VALVE SHALL BE LOCATED MINIMUM 3" BELOW BOTTOM OF GRAB BAR. P.C. TO CUT OUTLET TUBE AS REQUIRED.
- FLUSH VALVE MECHANISM SHALL BE LOCATED OPPOSITE OF HAND RAR. AS PER ADA REQUIREMENT.
- EQUAL FAUCETS BY SYMMONS, CHICAGO FAUCETS, DELTA, MOEN & AMERICAN STANDARD.
- EQUAL STAINLESS STEEL SINK BY FRANK & JUST.
- EQUAL SHOWER STALL BY AMERICAN STANDARD, CRANE, AQUATIC, MAAK, AQUA GLASS & AQUARIUS.
- EQUAL SHOWER TRIM BY LEONARD & SPEAKMAN (PROVIDE SHOWER PAN AS REQ'D PER CODE SECTION 417.4 & 417.5; SEE ARCH DWGS/SPECS FOR DETAILS).
- EQUAL WATER COOLER/DRINKING FOUNTAIN BY HALSEY TAYLOR, SUNROC, HAWS & ELKAY.
- EQUAL MOP BASIN BY SWANSTONE, ELMUSTEE.
- WHEN ASTRISK (\*) PREFIX IS USED, PROVIDE TRAP PRIMER AND PIPE 1/2" LINE BELOW SLAB TO FLOOR DRAIN.
- EQUAL FAUCETS BY CHICAGO FAUCETS, TAG, ELKAY, ZURN & AMERICAN STANDARD. SINGLE SINK = RIGID SPOUT; DOUBLE SINK = RESTRICTED SPOUT.
- EQUAL CAST IRON LAVATORIES BY CEDCO & ZURN.
- ACCESSORY APRON MAY BE OMITTED IF WATER COOLER IS RECESSED.
- PROVIDE INTEGRAL CHECK STOPS AT ALL WALL FAUCETS.
- EQUAL SPECIALTY FIXTURE BY OATEY, SIOUX CHIEF.

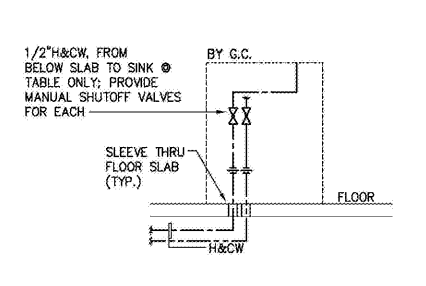
| PLUMBING SPECIALTIES SCHEDULE |                         |  |         |
|-------------------------------|-------------------------|--|---------|
| SYM                           | DESCRIPTION             | MODEL NUMBER   | REMARKS |
| FD                            | FLOOR DRAIN             | ZURN ZN-415-S (-P WHERE TRAP PRIMER REQ'D)   | 1       |
| SFD                           | SHOWER FLOOR DRAIN      | ZURN Z-415-B WITH POLISHED CHROME TOP  | 1       |
| FCO                           | FLOOR CLEANOUT          | ZURN ZN-1400-T WITH NIKALOY TOP. CARPET MARKERS AS REQUIRED. SEE ARCHITECTURAL FINISH SCHEDULE FOR CARPETED AREAS. | 1       |
| YCO                           | YARD CLEANOUT           | ZURN Z-1408-HD WITH CAST IRON TOP  | 1       |
| FPH                           | FROST-PROOF HYDRANT     | WOODFORD #67 WITH VACUUM BREAKER (ASSE 1052)   | 2,3     |
| HB                            | HOSE BIBB               | WOODFORD #26 WITH LOOSE KEY, CHROME PLATED, VACUUM BREAKER (ASSE 1052).  | 2,3     |
| RHY                           | ROOF HYDRANT            | WOODFORD #SRH-MS W/ DBL CHECK VALVE (ASSE 1052).   | 2,3     |
| WCO                           | WALL CLEANOUT           | ZURN Z-1446 W/STAINLESS STEEL COVER  | 1       |
| RD                            | ROOF DRAIN              | ZURN Z-100, DECKCLAMP, ADJ. SLEEVE, DRAIN RECEIVER & C.I. DOME   | 1       |
| OD                            | OVERFLOW DRAIN          | ZURN Z-100-W4, DECKCLAMP, ADJ. SLEEVE, DRAIN RECEIVER & C.I. DOME  | 1       |
| SA                            | SHOCK ABSORBER          | SIOUX CHIEF, A-652-A, B-653-B, C-654-C, D-655-D  | 6       |
| TP                            | TRAP PRIMER             | PRECISION PRODUCTS MODEL PR-500 W/SS-X & DU-X.   | 1       |
| TP                            | TRAP PRIMER             | ZURN Z-1022 #3 TRAP TO Z-1023 #3 FLOOR DRAIN.  | 1       |
| FS                            | FLOOR SINK              | ZURN ZN-1901-2 W/ 1/2 GRATE & SEDIMENT BUCKET.   | 1, 5    |
| FSA                           | FLOOR SINK              | ZURN ZN-1901 W/SEDIMENT BUCKET & NICKEL BRONZE GRATE.  | 1, 5    |
| FSB                           | FLOOR SINK              | ZURN ZN-1901 W/ DEPRESSED GRATE & SEDIMENT BUCKET.   | 1, 5    |
| FSDW                          | FLOOR SINK (DISHWASHER) | ZURN ZN-1920-2 W/ 1/2 GRATE & SEDIMENT BUCKET.   | 1, 5    |
| TD                            | FLOOR SINK              | ZURN Z-1751, STAINLESS STEEL.  | 1       |
| WH                            | WALL HYDRANT            | WOODFORD MODEL HC87 SERIES (ASSE 1052)   | 2,3     |
| AAV                           | AIR ADMITTANCE VALVE    | STUOR VENT (SIZED PER MFG. RECOMMENDATION)   | 4       |

- EQUALS BY JOSAM, JAY R. SMITH & WADE.
- EQUALS BY JOSAM, JAY R. SMITH, WADE & PRIER.
- PROVIDE INTEGRAL CHECK STOPS AT ALL WALL FAUCETS.
- EQUALS BY OATEY, SIOUX CHIEF.
- PROVIDE WITH NB FRAMING GRATE.
- EQUALS BY JOSAM, JAY R. SMITH, WATTS - ASSE 1010 APPROVED

| BLDG. LOAD SUMMARY |     |
|--------------------|-----|
| WATER FU           | 153 |
| WATER GPM          | 65  |
| WASTE FU           | 245 |
| HW GPH (110°F)     | 50  |
| HW GPH (140°F)     | 235 |

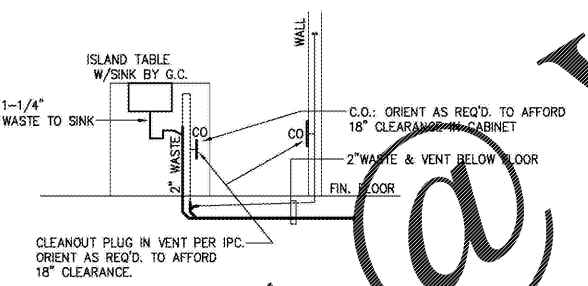
| PLUMBING LEGEND |              |                                |
|-----------------|--------------|--------------------------------|
| SYMBOL          | ABBREVIATION | DESCRIPTION                    |
| ---             | CW           | COLD WATER                     |
| ---             | HW (110°F)   | HOT WATER                      |
| ---             | HW (140°F)   | HOT WATER                      |
| ---             | HWR (110°F)  | HOT WATER RETURN               |
| ---             | HWR (140°F)  | HOT WATER RETURN               |
| ---             | W            | WASTE                          |
| ---             | GW           | GREASE LADEN WASTE LINE        |
| ---             | V            | VENT                           |
| ---             | RL           | RIGID LEAD                     |
| ---             | SD           | STORM DRAIN                    |
| ---             | G            | GAS                            |
| ---             | V            | VENT THRU ROOF                 |
| ---             | ---          | BALL VALVE                     |
| ---             | ---          | CHECK VALVE                    |
| ---             | ---          | UNION                          |
| ---             | ---          | PRESSURE REDUCING VALVE        |
| ---             | FPH          | FROST PROOF HYDRANT            |
| ---             | HB           | HOSE BIBB                      |
| ---             | ---          | SHOCK ABSORBER                 |
| ---             | RD           | ROOF DRAIN                     |
| ---             | FCO          | FLOOR CLEANOUT                 |
| ---             | FCO/YCO      | FLOOR OR YARD CLEANOUT         |
| ---             | FS/FD        | FLOOR SINK OR SQUARE FL. DRAIN |
| ---             | SFD          | SHOWER FLOOR DRAIN             |
| ---             | ---          | VACUUM BREAKER                 |
| ---             | ---          | AQUASTAT                       |
| ---             | HD           | HUB DRAIN                      |
| ---             | F            | FIRE PROTECTION                |
| ---             | ---          | CONNECT TO EXISTING            |

- GENERAL NOTES
- PLUMBING CONTRACTOR SHALL VERIFY EXACT LOCATION, INVERTS AND SIZES OF ALL UTILITIES PRIOR TO STARTING CONSTRUCTION.
  - REFER TO ARCHITECTURAL DRAWINGS FOR DIMENSIONAL LOCATIONS OF PLUMBING FIXTURES & MOUNTING HEIGHTS.
  - PROVIDE INDIVIDUAL STOPS FOR ALL FIXTURES.
  - CONTRACTOR RESPONSIBLE FOR APPLYING THE PROPER FIRE-SAFING DETAIL FOR ALL PIPE PENETRATIONS THRU RATED & NON-RATED WALL, FLOOR AND CEILING ASSEMBLIES. SEE SHEET C00101 AND ARCHITECTURAL DWGS FOR ADDITIONAL INFORMATION.
  - P.C. TO EXTEND WASTE, STORM & WATER LINES TO 5'-6" OUTSIDE ELLS (UNLESS SHOWN/NOTED OTHERWISE) & CONNECT TO EXISTING PROVIDED BY SITE CONTR. COORDINATE ALL SITE WORK WITH SITE CONTR.

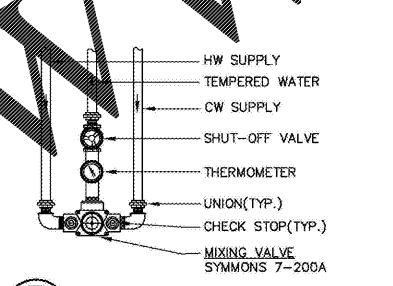


**5 WATER PIPING AT ISLAND WORK TABLE**  
P0100 NTS

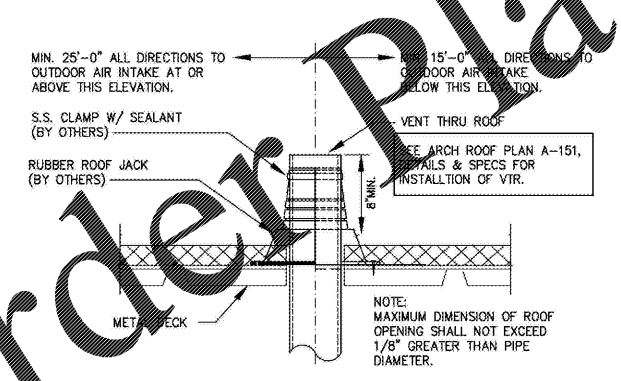
NOTES:  
1. PROVIDE SIGNS ON VALVES: "MAIN COLD WATER VALVE" "MAIN HOT WATER VALVE"



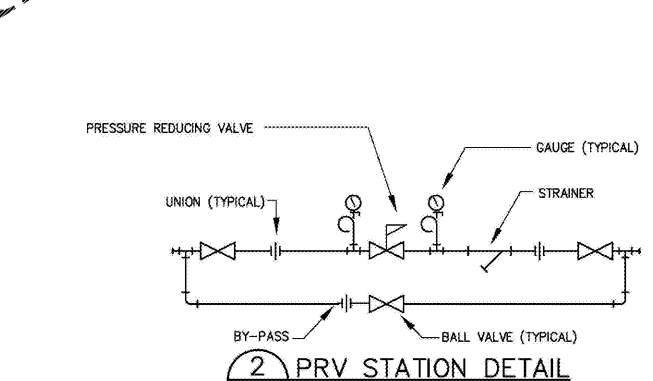
**6 WASTE PIPE @ ISLAND TABLES**  
P0100 NTS



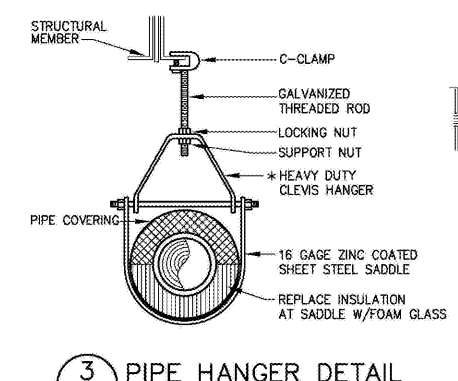
**7 MIXING VALVE DETAIL**  
P0100 NTS EQUALS BY LEONARD, POWERS, BRADLEY



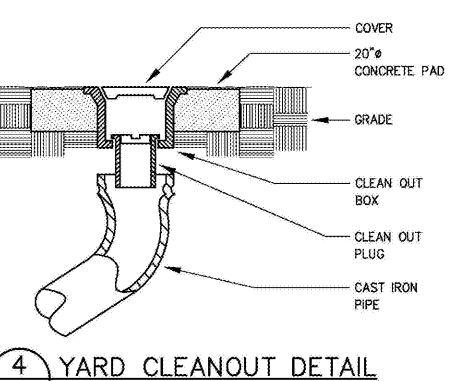
**1 VENT THRU ROOF DETAIL**  
P0100 NTS



**2 PRV STATION DETAIL**  
P0100 NTS



**3 PIPE HANGER DETAIL**  
P0100 NTS \*CONTRACTOR OPTION: MICHIGAN HANGER #403



**4 YARD CLEANOUT DETAIL**  
P0100 NTS

WILKES COMMUNITY COLLEGE  
WILKES COMMUNITY COLLEGE  
SCO# 100-01A  
NCCO# 220  
CULINARY LAB

McKNIIGHT · SMITH  
WARD · GRIFFIN  
ENGINEERS, INCORPORATED  
PO Box 240528 • 4223 South Boulevard  
Charlotte, NC 28224  
704/927-2112 17-013

LS3P  
227 WEST TRADE STREET SUITE 700  
CHARLOTTE, NORTH CAROLINA 28202  
TEL. 704.333.6698 FAX 704.333.2926  
WWW.LS3P.COM

MEMBERS OF THE AMERICAN INSTITUTE OF ARCHITECTS  
COPYRIGHT 2016 ALL RIGHTS RESERVED  
PRINTED OR ELECTRONIC DRAWINGS AND DOCUMENTATION MAY NOT BE REPRODUCED IN ANY FORM WITHOUT WRITTEN PERMISSION FROM LS3P ASSOCIATES LTD.

| No. | Description | Date |
|-----|-------------|------|
|     |             |      |

PROJECT: 9202-169779  
DATE: 12/18  
DRAWN BY: CDT  
CHECKED BY: JCC

PLUMBING SCHEDULES AND DETAILS  
**P-100**

C:\Users\jrb\OneDrive\Documents\17413\_WILKES CC CULINARY LAB\_IBSWG\_MP\_2016\_160mm.rvt  
1/12/2018 2:56:20 PM