



MEMBERS OF THE AMERICAN INSTITUTE OF ARCHITECTS

COPYRIGHT 2016 ALL RIGHTS RESERVED
 PRINTED OR ELECTRONIC DRAWINGS AND DOCUMENTATION MAY NOT BE REPRODUCED IN ANY FORM WITHOUT WRITTEN PERMISSION FROM LS3P ASSOCIATES LTD.

REVISIONS:

No.	Description	Date

PROJECT: S202-169770
 DATE: January 2, 2018
 DRAWN BY: JM
 CHECKED BY: AC

EXHAUST HOOD DETAILS
QF501

HOOD INFORMATION

HOOD NO.	TAG	MODEL	LENGTH	MAX. COOKING TEMP.	TOTAL EXH. CFM	EXHAUST PLENUM						TOTAL SUPPLY CFM	HOOD CONSTRUCTION	END TO END	ROW	
						WIDTH	LENG.	HEIGHT	DIA.	CFM	VEL.					S.P.
1	#112	5424 ND-2-PSP-F	7' 0.00"	450 Deg	1680			4"	14"	1680	1572	-0.675"	1344	430 SS Where Exposed	ALONE	ALONE
2	#221	7224 ND-2-PSP-F	10' 0.00"	450 Deg	2000			4"	14"	2000	1871	-0.801"	1600	430 SS Where Exposed	ALONE	ALONE
3	#402L	6024 ND-2-PSP-F	9' 0.00"	600 Deg	1980			4"	14"	1980	1852	-1.074"	1584	430 SS Where Exposed	LEFT	ALONE
4	#402R	6024 ND-2-PSP-F	10' 6.00"	600 Deg	2888			4"	16"	2888	2068	-1.214"	2022	430 SS Where Exposed	RIGHT	ALONE
5	#427 Back	6624 ND-2-PSP-F	16' 0.00"	600 Deg	4000			4"	14"	2000	1871	-0.861"	3120	430 SS Where Exposed	ALONE	BACK
6	#427 front	6024 ND-2-PSP-F	16' 0.00"	600 Deg	3680			4"	14"	1840	1721	-0.728"	2944	430 SS Where Exposed	ALONE	FRONT
7	#418 Back	6624 ND-2-PSP-F	16' 0.00"	600 Deg	4000			4"	14"	2000	1871	-0.861"	3120	430 SS Where Exposed	ALONE	BACK
8	#418 front	6024 ND-2-PSP-F	16' 0.00"	600 Deg	3680			4"	14"	1840	1721	-0.728"	2944	430 SS Where Exposed	ALONE	FRONT

HOOD INFORMATION

HOOD NO.	TAG	TYPE	FILTER(S)				LIGHT(S)		WIRE GUARD	LOCATION	SIZE	UTILITY CABINET(S)		SWITCHES	FIRE SYSTEM PIPING	HOOD HANGING WGT	
			QTY.	HEIGHT	LENGTH	EFFICIENCY @ 7 MICRONS	QTY.	TYPE				FIRE SYSTEM	SIZE				ELECTRICAL
1	#112	Captrate Solo Filter	5	20"	16"	85% See Filter Spec.	2	12" x 12" LED	NO	Right	12"x60"x24"	ANSUL R102	3.0	DCV-1111	1 Light 1 Fan	YES	717 LBS
2	#221	Captrate Solo Filter	7	20"	16"	85% See Filter Spec.	2	12" x 12" LED	NO	Left	12"x72"x24"	ANSUL R102	3.0	DCV-1111	1 Light 1 Fan	YES	801 LBS
3	#402L	Captrate Solo Filter	6	16"	16"	85% See Filter Spec.	2	12" x 12" LED	NO							YES	543 LBS
4	#402R	Captrate Solo Filter	7	20"	16"	85% See Filter Spec.	3	12" x 12" LED	NO	Right	12"x60"x24"	ANSUL R102	3.0/3.0	DCV-1111	1 Light 1 Fan	YES	812 LBS
5	#427 Back	Captrate Solo Filter	12	20"	16"	85% See Filter Spec.	4	12" x 12" LED	NO	Left	12"x66"x24"	ANSUL R102	3.0/3.0			YES	1078 LBS
6	#427 front	Captrate Solo Filter	12	20"	16"	85% See Filter Spec.	4	12" x 12" LED	NO	Right	12"x60"x24"			DCV-1111	1 Light 1 Fan	YES	1060 LBS
7	#418 Back	Captrate Solo Filter	12	20"	16"	85% See Filter Spec.	4	12" x 12" LED	NO	Left	12"x66"x24"					YES	1035 LBS
8	#418 front	Captrate Solo Filter	12	20"	16"	85% See Filter Spec.	4	12" x 12" LED	NO	Right	12"x60"x24"	ANSUL R102	3.0/3.0	DCV-1111	1 Light 1 Fan	YES	1098 LBS

HOOD OPTIONS

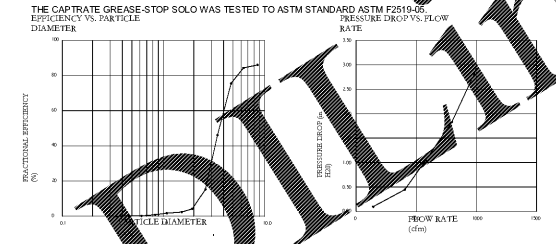
HOOD NO.	TAG	OPTION
1	#112	FIELD WRAPPER 18.00" High Front, Left, Right BACKSPASH 122.00" High X 265.00" Long 430 SS Vertical FRONT VERTICAL END PANEL 27" Top Width, 21" Bottom Width, 60" High Insulated 430 SS LEFT VERTICAL END PANEL 27" Top Width, 21" Bottom Width, 60" High Insulated 430 SS
2	#221	FIELD WRAPPER 18.00" High Front, Left BACKSPASH 122.00" High X 415.00" Long 430 SS Vertical RIGHT SIDESPLASH 122.00" High X 90.00" Long 430 SS Vertical RIGHT END STANDOFF (FINISHED) 1" Wide 72" Long Insulated LEFT VERTICAL END PANEL 27" Top Width, 21" Bottom Width, 60" High Insulated 430 SS
3	#402L	FIELD WRAPPER 18.00" High Front, Left BACKSPASH 122.00" High X 282.00" Long 430 SS Vertical BALANCE DAMPERS
4	#402R	FIELD WRAPPER 18.00" High Front, Right BALANCE DAMPERS
5	#427 Back	FIELD WRAPPER 18.00" High Front, Left, Right BALANCE DAMPERS SENSOR-CV MOUNT SENSOR(S) IN HOOD CAPTURE VOLUME
6	#427 front	FIELD WRAPPER 18.00" High Front, Left, Right BALANCE DAMPERS SENSOR-CV MOUNT SENSOR(S) IN HOOD CAPTURE VOLUME
7	#418 Back	FIELD WRAPPER 18.00" High Front, Left, Right BALANCE DAMPERS
8	#418 front	FIELD WRAPPER 18.00" High Front, Left, Right BALANCE DAMPERS SENSOR-CV MOUNT SENSOR(S) IN HOOD CAPTURE VOLUME

PERFORATED SUPPLY PLENUM(S)

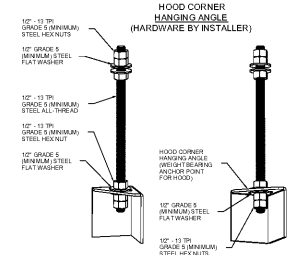
HOOD NO.	TAG	POS.	LENGTH	WIDTH	HEIGHT	TYPE	RISER(S)		
							WIDTH	LENG.	S.P.
1	#112	Front	96"	16"	6"	MUA	12"	28"	670 0.227"
2	#221	Front	133"	14"	6"	MUA	12"	28"	708 0.227"
3	#402L	Front	72"	16"	6"	MUA	12"	28"	792 0.202"
4	#402R	Front	138"	16"	6"	MUA	12"	28"	674 0.173"
5	#427 Back	Front	204"	16"	6"	MUA	12"	28"	780 0.227"
6	#427 front	Front	204"	16"	6"	MUA	12"	28"	736 0.204"
7	#418 Back	Front	204"	16"	6"	MUA	12"	28"	780 0.227"
8	#418 front	Front	204"	16"	6"	MUA	12"	28"	736 0.204"

SPECIFICATION: CAPTRATE GREASE-STOP SOLO FILTER

THE CAPTRATE GREASE-STOP SOLO FILTER IS A SINGLE-STAGE FILTER FEATURING A UNIQUE S-BAFFLE DESIGN IN CONJUNCTION WITH A SLOTTED REAR BAFFLE DESIGN, TO DELIVER EXCEPTIONAL FILTRATION EFFICIENCY.
 FILTER IS STAINLESS STEEL CONSTRUCTION, AND SIZED TO FIT INTO STANDARD 2-INCH DEEP HOOD CHANNEL(S).
 UNITS SHALL INCLUDE STAINLESS STEEL HANDLES AND A FASTENING DEVICE TO SECURE THE TWO COMPONENTS WHEN ASSEMBLED.
 GREASE EXTRACTION EFFICIENCY PERFORMANCE SHALL REMOVE AT LEAST 75% OF GREASE PARTICLES FIVE MICRONS IN SIZE, AND 95% GREASE PARTICLES SEVEN MICRONS IN SIZE AND LARGER, WITH A CORRESPONDING PRESSURE DROP NOT TO EXCEED 1.0 INCHES WATER GAUGE.

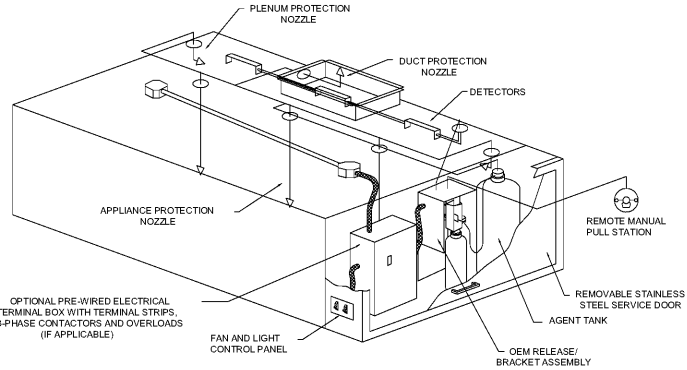


CAPTRATE FILTERS ARE BUILT IN COMPLIANCE WITH:



ASSEMBLY INSTRUCTIONS

HANGING ANGLE MUST BE SUPPORTED WITH 1/2" - 1/3" TH GR5 (MINIMUM) ALL-THREAD, SANDWICH HANGING ANGLES AND CEILING ANCHOR POINTS WITH 1/2" TH GR5 (MINIMUM) STEEL FLAT WASHERS AND 1/2" - 1/3" TH GR5 (MINIMUM) HEX NUTS AS SHOWN. MUST USE DOUBLED HEX NUT CONFIGURATION BENEATH HOOD HANGING ANGLES AND ABOVE CEILING ANCHORS. MAINTAIN 1/4" OF EXPOSED THREADS BENEATH BOTTOM HEX NUT. TORQUE ALL HEX NUTS TO 57 FT-LBS.



TYPICAL ANSUL R-102 SYSTEM LAYOUT

Order Plans