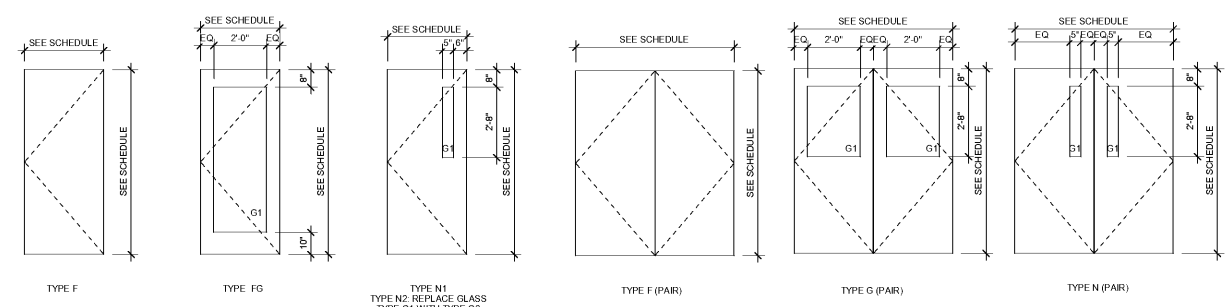
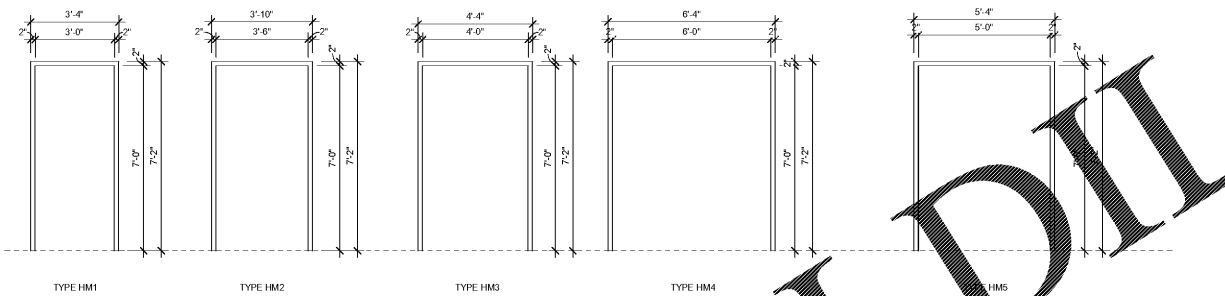


DOOR AND FRAME SCHEDULE														
DOOR NUMBER	TYPE	DOOR					HARDWARE SET	FRAME					REMARKS	
		MATL	FINISH	WIDTH	HEIGHT	THICKNESS		TYPE	MATL	FINISH	HEAD	JAMB		SILL
1A	FG	AL	ANOD	3'-0"	7'-0"	0'-1 3/4"	1.0	CB	AL	ANOD			A6/A-601	
1B	FG	AL	ANOD	3'-0"	7'-0"	0'-1 3/4"	3.0	CA	AL	ANOD			A6/A-601	
1C	-	-	-	3'-6"	7'-0"	-	2.0	HM2	HM	PT	C5/A-601	B5/A-601	B6/A-601	FRAMED OPENING
2A	N (PAIR)	HM	PT	6'-0"	7'-0"	0'-1 3/4"	2.0	HM4	HM	PT	C4/A-601	B4/A-601	A6/A-601	PUSH PLATE
2AA	F (PAIR)	WD	ST	5'-0"	7'-0"	0'-1 3/4"	14.0	HM5	HM	PT	C5/A-601	B5/A-601	D6/A-601	
3A	-	-	-	3'-0"	7'-0"	-	-	-	-	-	-	-	D6/A-601	WALL OPENING
3B	-	-	-	6'-0"	7'-0"	-	-	-	-	-	-	-	D6/A-601	WALL OPENING
4A	-	-	-	3'-0"	7'-0"	-	-	-	-	-	-	-	D6/A-601	WALL OPENING
5A	-	-	-	3'-0"	7'-0"	-	-	-	-	-	-	-	D6/A-601	WALL OPENING
6A	N2	WD	ST	3'-6"	7'-0"	0'-1 3/4"	8.0	HM2	HM	PT	C5/A-601	B5/A-601	D6/A-601	PUSH PLATE
6B	N2	WD	ST	3'-6"	7'-0"	0'-1 3/4"	8.0	HM2	HM	PT	C5/A-601	B5/A-601	D6/A-601	PUSH PLATE
7A	N2	WD	ST	3'-6"	7'-0"	0'-1 3/4"	7.0	HM2	HM	PT	C5/A-601	B5/A-601	B6/A-601	PUSH PLATE
7AA	F (PAIR)	WD	ST	5'-0"	7'-0"	0'-1 3/4"	14.0	HM5	HM	PT	C5/A-601	B5/A-601	D6/A-601	
7B	N (PAIR)	HM	PT	6'-0"	7'-0"	0'-1 3/4"	2.0	HM4	HM	PT	C4/A-601	B4/A-601	A6/A-601	PUSH PLATE
8BA	F (PAIR)	WD	ST	6'-0"	7'-0"	0'-1 3/4"	16.0	HM4	HM	PT	C5/A-601	B5/A-601	C6/A-601	PUSH PLATE
8CA	G (PAIR)	HM	PT	6'-0"	7'-0"	0'-1 3/4"	2.0	HM4	HM	PT	C4/A-601	B4/A-601	A6/A-601	PUSH PLATE
9A	F	WD	ST	3'-0"	7'-0"	0'-1 3/4"	15.0	HM1	HM	PT	C5/A-601	B5/A-601	C6/A-601	
10A	F	WD	ST	3'-0"	7'-0"	0'-1 3/4"	15.0	HM1	HM	PT	C5/A-601	B5/A-601	C6/A-601	
11A	F	WD	ST	3'-0"	7'-0"	0'-1 3/4"	9.0	HM1	HM	PT	C5/A-601	B5/A-601	C6/A-601	
12A	F	WD	ST	3'-0"	7'-0"	0'-1 3/4"	9.0	HM1	HM	PT	C5/A-601	B5/A-601	C6/A-601	
13A	F	WD	ST	3'-0"	7'-0"	0'-1 3/4"	11.0	HM1	HM	PT	C5/A-601	B5/A-601	C6/A-601	
14A	N2	WD	ST	3'-6"	7'-0"	0'-1 3/4"	7.0	HM2	HM	PT	C5/A-601	B5/A-601	B6/A-601	PUSH PLATE
15A	F	WD	ST	3'-0"	7'-0"	0'-1 3/4"	12.0	HM1	HM	PT	C5/A-601	B5/A-601	C6/A-601	
16A	F	WD	ST	3'-0"	7'-0"	0'-1 3/4"	11.0	HM1	HM	PT	C5/A-601	B5/A-601	C6/A-601	
17A	F	WD	ST	3'-0"	7'-0"	0'-1 3/4"	13.0	HM1	HM	PT	C5/A-601	B5/A-601	C6/A-601	
20A	F	HM	PT	4'-0"	7'-0"	0'-1 3/4"	6.0	HM3	HM	PT	C4/A-601	B4/A-601	A6/A-601	
21A	F	HM	PT	4'-0"	7'-0"	0'-1 3/4"	4.0	HM3	HM	PT	C4/A-601	B4/A-601	A6/A-601	
21B	N1	HM	PT	3'-0"	7'-0"	0'-1 3/4"	5.0	HM1	HM	PT	C4/A-601	B4/A-601	A6/A-601	



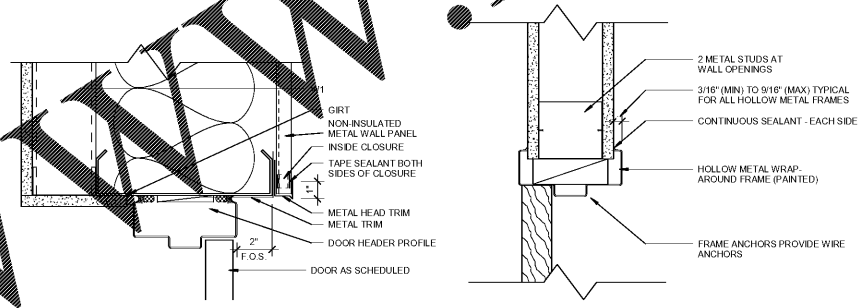
E3 DOOR TYPE LEGEND 3/8" = 1'-0"
E4 DOUBLE DOOR TYPE LEGEND 3/8" = 1'-0"



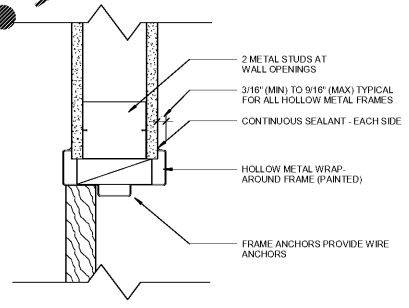
D3 FRAME TYPE LEGEND 3/8" = 1'-0"

ROOM FINISH LEGEND						
MATERIAL CODE	DESCRIPTION	PRODUCT NAME AND NUMBER	STYLE / PATTERN	COLOR	SIZE	NOTES
DIVISION 6 WOOD AND PLASTICS						
PLM-1	PLASTIC LAMINATE, VERTICAL	WILSONART	STANDARD LAMINATE	PLATINUM D315-60; MATTE		
SS-1	SOLID SURFACE	DUPONT	CORIAN	DESIGNER WHITE		WATERFALL EDGE
DIVISION 9 FINISHES - CEILINGS						
ACT-1	ACOUSTICAL CEILING TILE, STANDARD	ARMSTRONG	ULTIMA LAY-IN 1900	WHITE	2' X 2'	
ACT-2	ACOUSTICAL CEILING TILE, VINYL FACED	ARMSTRONG	ULTIMA HEALTH ZONE 1935	WHITE	2' X 2'	
DIVISION 9 FINISHES - FLOORS						
CSL-1	CONCRETE SEALER	ARDEX	SEALER	CLEAR		
CST-1	CONCRETE STAIN	ARDEX	PC FINISH			
URF-1	URETHANE RESIN FLOORING	STONHARD	STONCLAD UT/LIGHT TEXTURE	PEWTER		
DIVISION 9 FINISHES - WALL BASE						
RBS-1	RUBBER BASE	JOHNSONITE	COLORMATCH	20 CHARCOAL	6"	
URB-1	INTEGRAL URETHANE RESIN BASE	STONHARD	TO MATCH FLOOR			
DIVISION 9 FINISHES - WALLS						
CTW-1	CERAMIC TILE, WALL	DALTILE	NATURAL HUES	WHITE	4" X 8"	
FRP-1	FIBER REINFORCED PANEL					
PNT-1	PAINT, LEVEL 3			SW 7008 ALABASTER		COOKING LABS
PNT-2	PAINT, EPOXY			SW 7008 ALABASTER		ALUMINUM PROFILE, DOOR FRAMES, & CURTAIN WALL FRAMING
PNT-3	PAINT, LEVEL 3			SW 7069 IRON ORE		
PNT-4	PAINT, LEVEL 3			SW 7600 BOLERO		EXPOSED STRUCTURE
PNT-5	PAINT, LEVEL 3			SW 6875 AFTERNOON		ACCENT COLOR
DIVISION 10 SPECIALTIES						
GDC-1	CORNER GUARD			STAINLESS STEEL		
GDW-1	WALL GUARD, BUMPER RAILS	GREENGUARD	200	DESIGNER WHITE		
LKR-1	LOCKERS	FORMICA	STANDARD	961-58 FOG		DOUBLE TIE
MBD-1	MARKERBOARD					
TPT-1	TOILET PARTITION	BRADLEY	BRADMAR	CHARCOAL GRAY		
DIVISION 12 FURNISHINGS						
HWB-1	HORIZONTAL WINDOW BLINDS	LEVOLOR	RIVIERA	PEARL GRAY		
SSC-1	STAINLESS STEEL COUNTERTOPS					

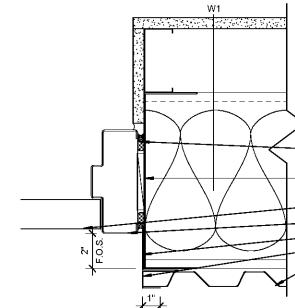
ROOM FINISH SCHEDULE							
ROOM NUMBER	ROOM NAME	FLOOR BASE BID	FLOOR ALT FLOOR	WALL BASE BID	WALL ALT WALL	CEILING	REMARKS
1	DINING LAB	CSL-1	CST-1	RBS-1	PNT-1/PNT-5	PNT-1/ EXPOSED	
1A	MIXOLOGY	CSL-1	CST-1	RBS-1	PNT-1/PNT-5	PNT-1/ EXPOSED	
2	HOT LAB	URF-1	CST-1	URB-1	PNT-2	CTW-1	ACT-2
2A	STORAGE	URF-1	CST-1	URB-1	PNT-2	CTW-1	ACT-2
3	OVEN ROOM	URF-1	CST-1	URB-1	PNT-2	CTW-1	ACT-2
4	DISH WASH	URF-1	CST-1	URB-1	PNT-2	CTW-1	ACT-2
5	DISH STORAGE	URF-1	CST-1	URB-1	PNT-2	CTW-1	ACT-2
6	WAIT STATION	URF-1	CST-1	URB-1	PNT-2	CTW-1	ACT-2
7	BAKE LAB	URF-1	CST-1	URB-1	PNT-2	CTW-1	ACT-2
7A	STORAGE	URF-1	CST-1	URB-1	PNT-2	CTW-1	ACT-2
8A	CORRIDOR	CSL-1	CST-1	RBS-1	PNT-1/PNT-5	ACT-1	RE: PLAN FOR PNT-3 LOCATION
8B	CORRIDOR	CSL-1	CST-1	RBS-1	PNT-1	ACT-1	
8C	CORRIDOR	CSL-1	CST-1	RBS-1	PNT-1	ACT-1	PROVIDE GDW-1
9	MECHANICAL	CSL-1	CST-1	RBS-1	PNT-1	ACT-1	CTW-1 TO 4' AFF
10	MECHANICAL	CSL-1	CST-1	RBS-1	CTW-1/PNT-1	ACT-1	CTW-1 TO 4' AFF
11	OFFICE	CSL-1	CST-1	RBS-1	PNT-1	ACT-1	PROVIDE HWB-1
12	OFFICE	CSL-1	CST-1	RBS-1	PNT-1	ACT-1	PROVIDE HWB-1
13	BRARY	CSL-1	CST-1	RBS-1	PNT-1	ACT-1	PROVIDE HWB-1
14	OLD LAB	URF-1	CST-1	URB-1	PNT-2	CTW-1	ACT-2
15	MANITOR	CSL-1	CST-1	URB-1	PNT-2	ACT-1	FRP-1 TO 4' AFF AT MOP SINK
16	LAUNDRY	CSL-1	CST-1	RBS-1	PNT-1	ACT-1	
16	STORAGE	CSL-1	CST-1	RBS-1	PNT-2	ACT-1	
18	WALK-IN COOLER	BY MANUF		BY MANUF	BY MANUF	BY MANUF	
19	WALK-IN FREEZER	BY MANUF		BY MANUF	BY MANUF	BY MANUF	
20	MECHANICAL	CSL-1	CST-1	RBS-1	PNT-1	EXPOSED	
21	ELECTRICAL	CSL-1	CST-1	RBS-1	PNT-1	ACT-1	



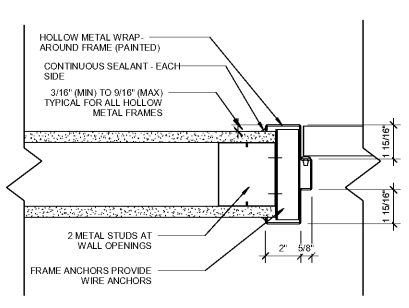
C4 TYPICAL EXT DOOR HEAD 3/8" = 1'-0"



C5 HM DOOR HEAD - INT. STUD WALL 3/8" = 1'-0"

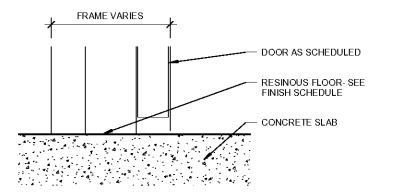


B4 TYPICAL EXT DOOR JAMB 3/8" = 1'-0"

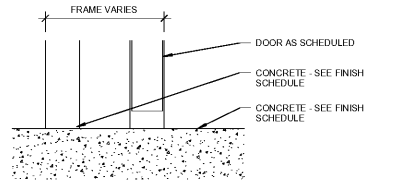


B5 HM DOOR JAMB - INT. STUD WALL 3/8" = 1'-0"

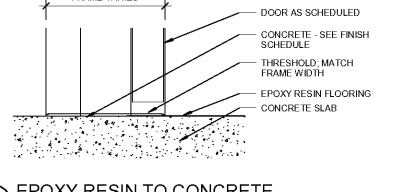
GLAZING LEGEND	
G1	DOUBLE GLAZED, LOW-E TEMPERED GLASS
G2	CLEAR, TEMPERED GLASS



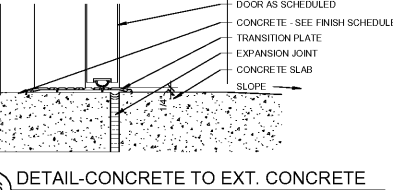
D6 RESINOUS FLOOR TO RESINOUS FLOOR 3/8" = 1'-0"



C6 CONCRETE TO CONCRETE (INTERIOR) 3/8" = 1'-0"



B6 EPOXY RESIN TO CONCRETE 3/8" = 1'-0"



A6 DETAIL-CONCRETE TO EXT. CONCRETE 3/8" = 1'-0"

WILKES COMMUNITY COLLEGE
WILKES COMMUNITY COLLEGE
 SCO# 2020-01A
 NCCO# 222
CULINARY LAB



227 WEST TRADE STREET SUITE 700
 CHARLOTTE, NORTH CAROLINA 28202
 TEL. 704.333.6686 FAX 704.333.2926
 WWW.LS3P.COM



MEMBERS OF THE AMERICAN INSTITUTE OF ARCHITECTS

COPYRIGHT 2016 ALL RIGHTS RESERVED
 PRINTED OR ELECTRONIC DRAWINGS AND DOCUMENTATION MAY NOT BE REPRODUCED IN ANY FORM WITHOUT WRITTEN PERMISSION FROM LS3P ASSOCIATES LTD.

REVISIONS:		
No.	Description	Date

PROJECT: 2020-169779
 DATE: 1/21/8
 DRAWN BY: JLS
 CHECKED BY: WSB

DOOR & FINISH SCHEDULE
A-601

P:_EDU\2020\2020-169779 Wilkes Community College Culinary Lab 2.0 Design\Drawings\WCC CULINARY LAB_16.rvt 1/25/2018 11:15:11 AM