

- FLOOR PLAN SHEET NOTES**
- INTERIOR DIMENSIONS INDICATED ARE TO FACE OF FINISH AND CENTERLINES OF COLUMNS, UNO.
  - LOCATE DOOR OPENINGS 4" FROM NEAREST PERPENDICULAR WALL UNO.
  - INSTALL BLOCKING IN PARTITIONS FOR CASEWORK, WALL MOUNTED EQUIPMENT, TRIM AND RELATED CONSTRUCTION AS INDICATED IN THE SPECIFICATIONS.
  - SEE SHEET A-601 & A-602 FOR DOOR WINDOW & GLAZING TYPES.
  - SEE SHEET A-602 FOR CONSTRUCTION SUBSYSTEMS & PARTITION SCHEDULE.
  - SEE SHEET A-501 FOR CASEWORK DETAILS.
  - SEE SHEET A-101 FOR ACCESSORY DESCRIPTIONS & MOUNTING HEIGHTS.
  - SEE SHEETS A-601 FOR FINISH FLOORING, TRANSITIONS, PATTERNS AND WALL PROTECTION.
  - SEE SHEET A-601 FOR FINISH SCHEDULE.
  - SEE STRUCTURAL DRAWINGS FOR SLAB DEPRESSIONS AND CURBS.

- PARTITION NOTES**
- ALL NON-RATED PARTITIONS SHALL BE USED IN CONNECTIONS TO RECEIVE TILE FINISHES. REFER TO FINISH SCHEDULE AND INTERIOR ELEVATIONS FOR LOCATIONS.
  - ALL CORNERS SHALL BE ROUNDED WITH MECHANICAL DUCTWORK PRIOR TO CONSTRUCTION.
  - IF A WALL IS UNABLE TO GO STRAIGHT UP TO THE CEILING, THE PARTITION (GYPSUM BOARD AND FINISH) MAY BE INSTALLED PROXIMATELY ABOVE THE CEILING TO AVOID THE PROBLEM.
  - WHEN PLUMBING IS EXTENDED TO STRUCTURE AND GYPSUM WALLBOARD AND SOUND ATTENUATION PLANK IS EXTENDED JUST ABOVE THE FINISH CEILING, CAP OFF PARTITION FINISHES WITH A RUNNER CHANNEL WHEN CEILING PLENUM IS USED AS A RETURN AIR PLENUM.
  - RESOLVE DIMENSIONAL CONFLICTS BETWEEN PARTITION TYPES AND THE ARCHITECTURAL FLOOR PLANS SHALL BE BROUGHT TO THE ATTENTION OF THE ARCHITECT. SEE LIFE SAFETY PLANS FOR THE LOCATIONS OF SMOKE BARRIERS, SMOKE PARTITIONS AND FIRE-RATED PARTITIONS.

**TOILET ACCESSORIES LEGEND**

DESCRIPTION	SUPPLIED BY	INSTALLED BY
TT TOILET TISSUE DISPENSER	OWNER	OWNER
PTR PAPER TOWEL DISPENSER ROLL	OWNER	OWNER
WR WASTE RECEPTACLE	OWNER	OWNER
SD LIQUID SOAP	OWNER	OWNER
GB18 18" GRAB BAR	GC	GC
GB36 36" GRAB BAR	GC	GC
GB42 42" GRAB BAR	GC	GC
SDU SANITARY PRODUCT DISPOSAL UNIT	GC	GC
MG GLASS MIRROR UNIT	GC	GC
RH ROBE HOOK	GC	GC
MH MOP HOOKS	GC	GC

1. MIRROR TO BE FRAMELESS 4'-0" HIGH X FULL LENGTH OF VANITY

- PARTITION LEGEND**
- ALL EXTERIOR WALLS TO BE W1 U N O.
  - ALL INTERIOR METAL STUD PARTITIONS TO BE ABNX U N O.
- NON-RATED PARTITION TO CEILING
  - NON-RATED PARTITION TO DECK
  - 1 HOUR RATED PARTITION
- NOTE: SEE SHEET A602 FOR CONSTRUCTION OF PARTITION TYPES.

- EQUIPMENT LEGEND**
- NOTE: ALL ITEMS ARE TO BE CONTRACTOR FURNISHED, CONTRACTOR INSTALLED UNO
- FIRE EXTINGUISHER CABINET
  - MARKERBOARD - LENGTH MOUNTED 3'-0" AFF U N O
  - MOP HOOK
  - WALL MOUNTED FLAT SCREEN, OFOI PROVIDE AND INSTALL
  - BLOCKING AT EACH LOCATION
  - HORIZONTAL WINDOW BLINDS TO BE PROVIDED AND INSTALLED AT NOTED LOCATIONS
  - CASEWORK SHELVING TO BE PROVIDED AND INSTALLED
  - LOCKERS AT THIS LOCATION TO BE PROVIDED AND INSTALLED
  - WASHING MACHINE
  - DRYER
  - CORNER GUARD



227 WEST TRADE STREET SUITE 700  
 CHARLOTTE, NORTH CAROLINA 28202  
 TEL. 704.333.6686 FAX 704.333.2926  
 WWW.LS3P.COM



MEMBERS OF THE AMERICAN INSTITUTE OF ARCHITECTS

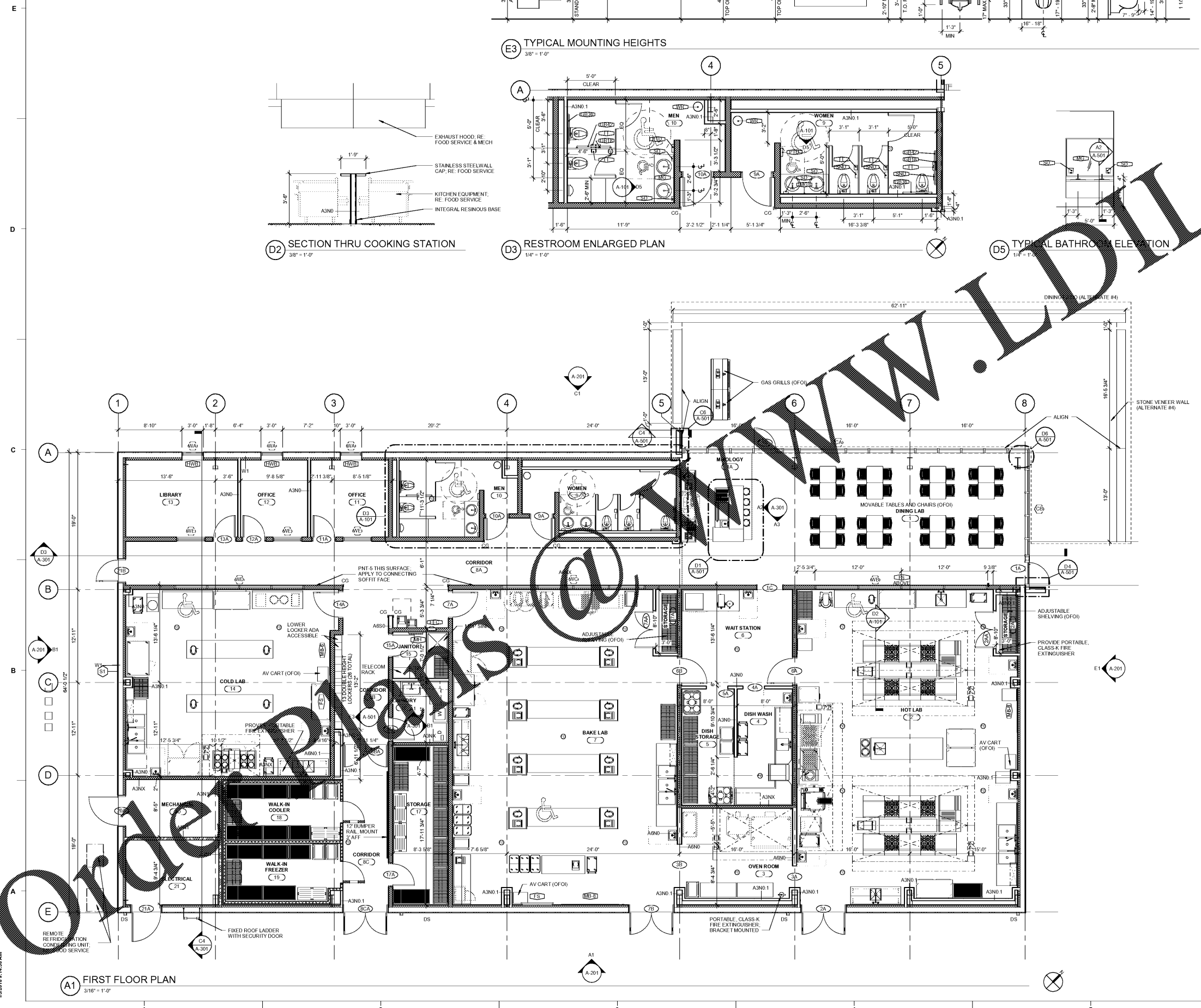
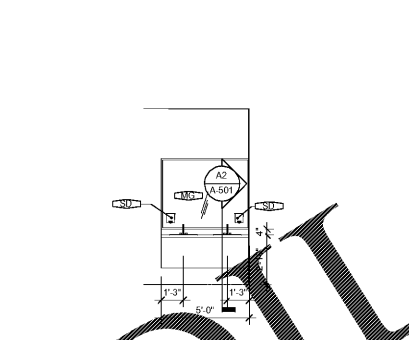
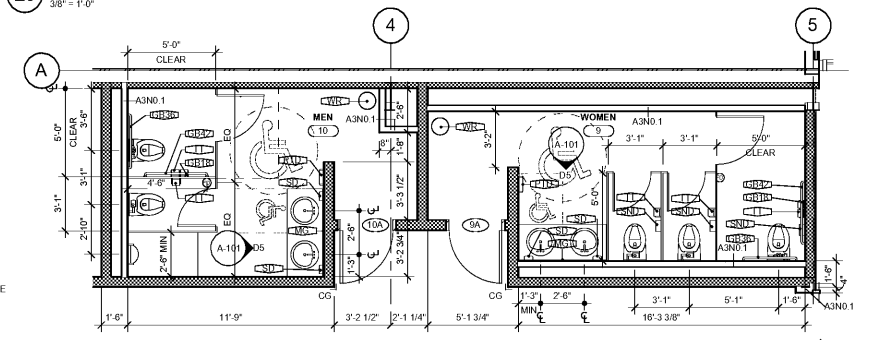
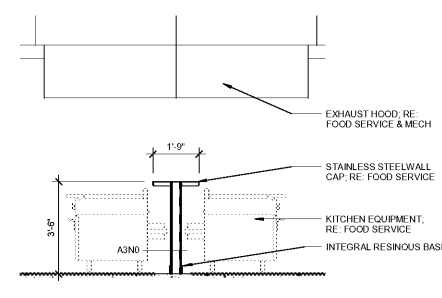
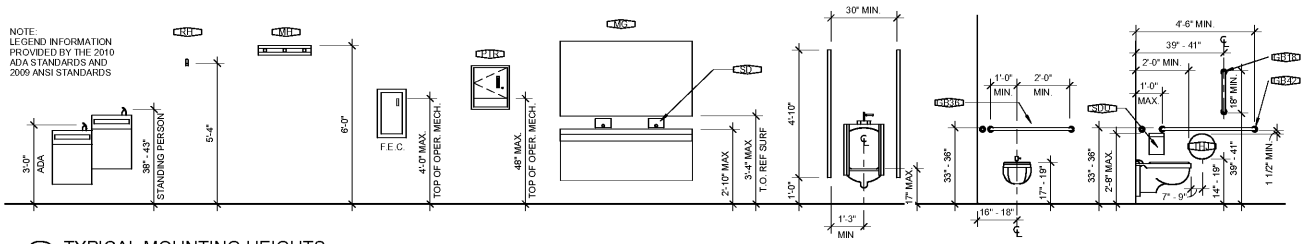
COPYRIGHT 2016 ALL RIGHTS RESERVED  
 PRINTED OR ELECTRONIC DRAWINGS AND DOCUMENTATION MAY NOT BE REPRODUCED IN ANY FORM WITHOUT WRITTEN PERMISSION FROM LSP ASSOCIATES LTD.

**REVISIONS:**

No.	Description	Date

PROJECT: 9202-169770  
 DATE: 12/18  
 DRAWN BY: ZJS  
 CHECKED BY: WSB

**FLOOR PLAN**  
**A-101**



P:\\_EDU\2020\2020-169770 Wilkes Community College Culinary Lab\2.0 Design\Drawings\WCC CULINARY LAB\_16.rvt  
 15/01/2018 11:14:58 AM