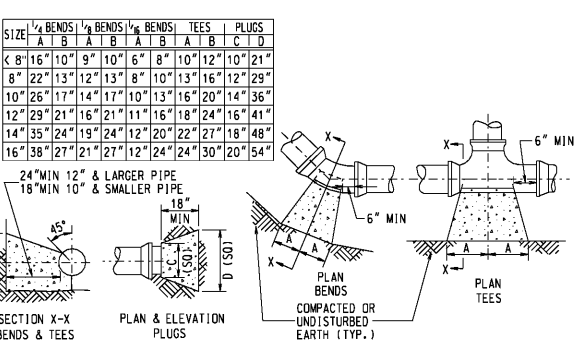
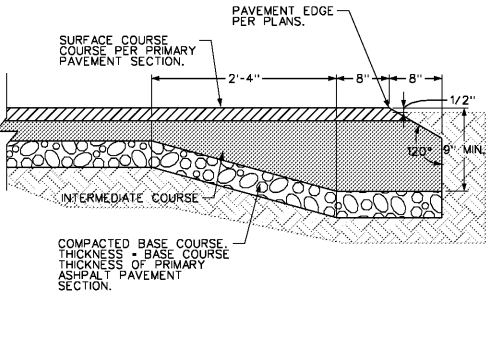


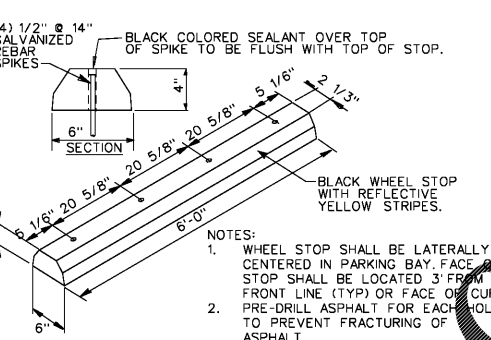
D1 Precast Conc. Collar Detail No Scale



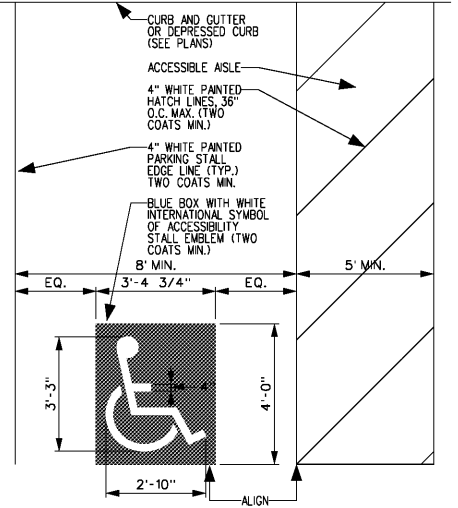
D2 Thrust Blocks No Scale



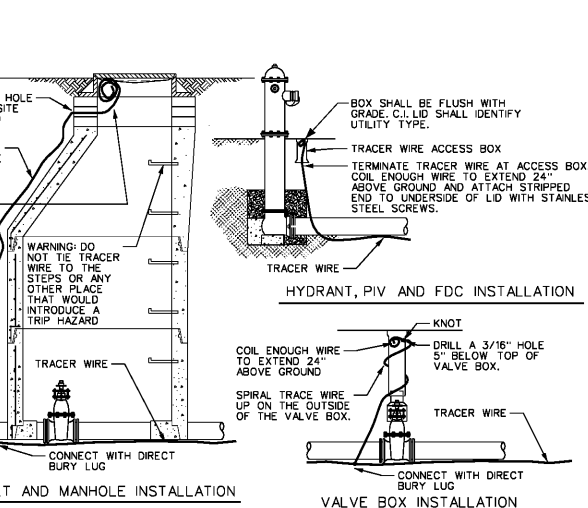
D3 Asphalt Thickened Edge Detail No Scale



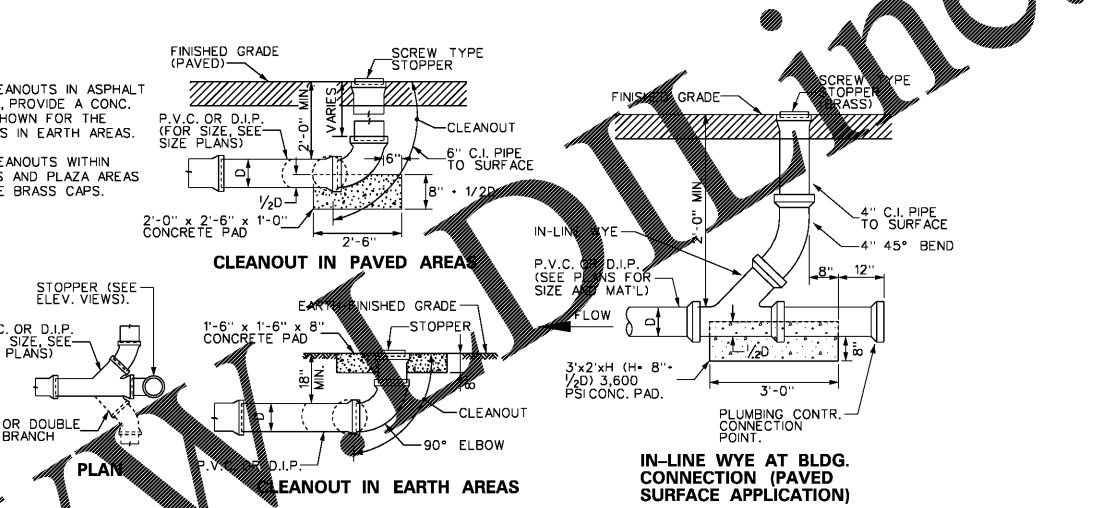
D4 Recycled Rubber Wheel Stop No Scale



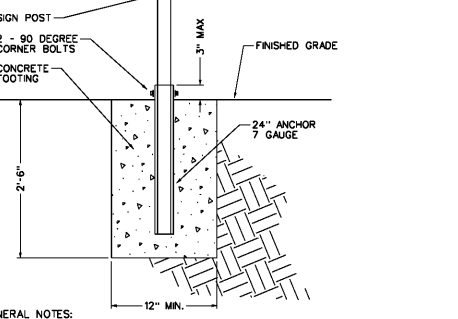
C1 HC Stall Pavement Marking No Scale



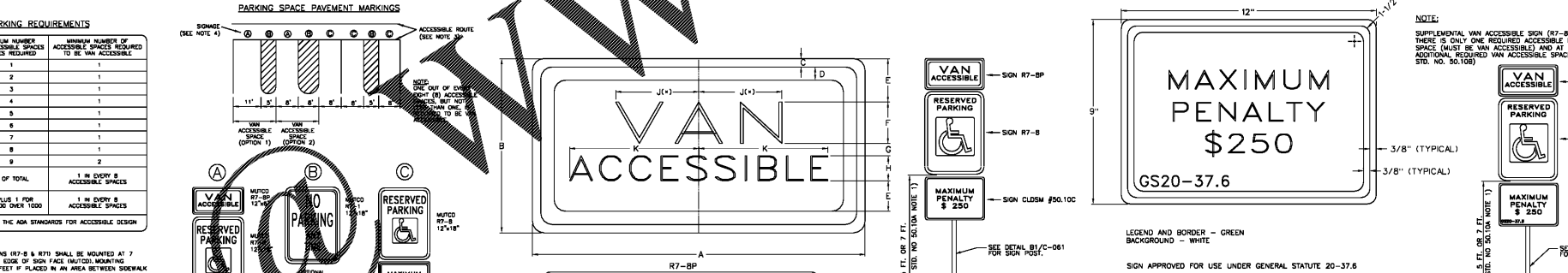
C2 Tracer Wire Installation No Scale



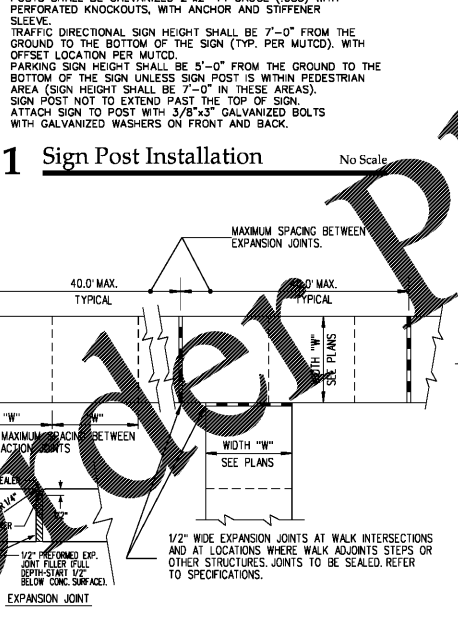
C3 Cleanout Details No Scale



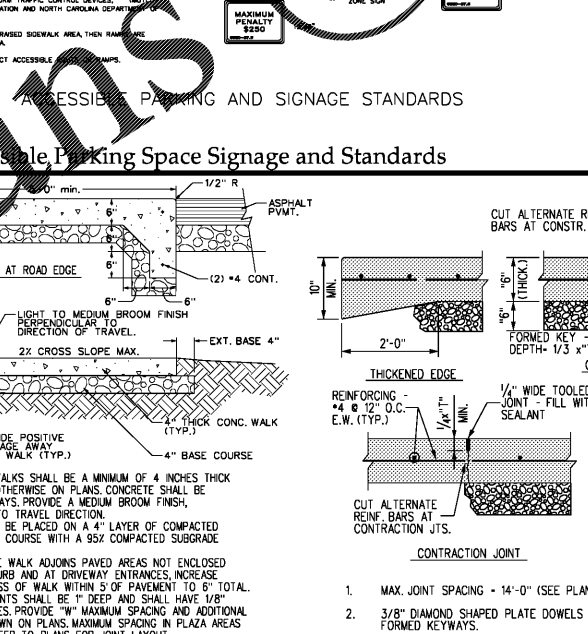
B1 Sign Post Installation No Scale



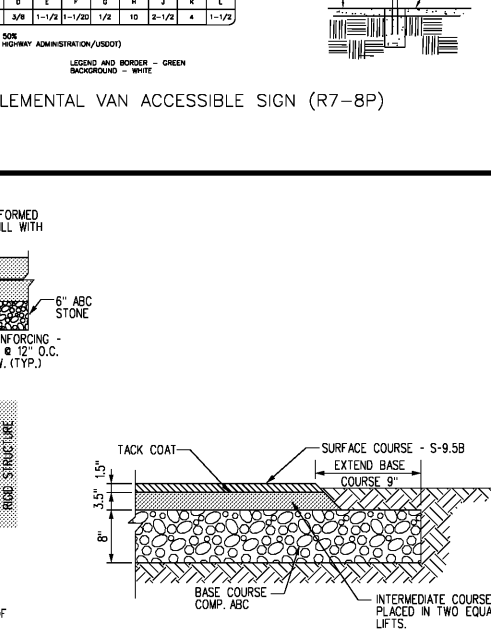
B2 Accessible Parking Space Signage and Standards No Scale



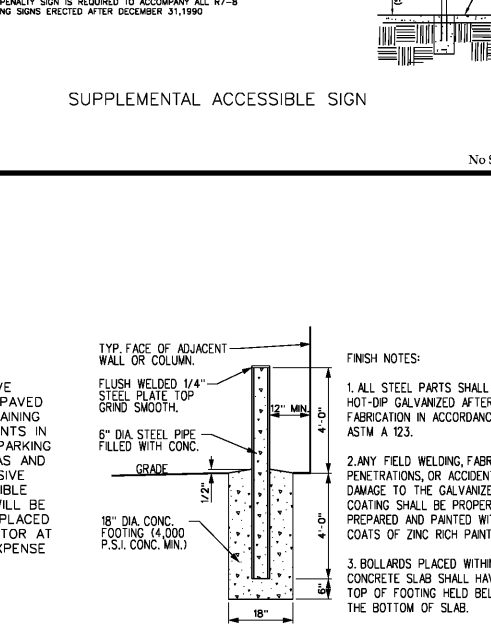
A1 Concrete Sidewalk No Scale



A2 Reinforced Conc. Pavement No Scale



A3 Bituminous Conc. Paving No Scale



A4 Typ. Bollard Detail No Scale

WILKES COMMUNITY COLLEGE
 SC0# 2017-01A
 NBCCS# 223
CULINARY LAB

LS3P
 227 WEST TRADE STREET SUITE 700
 CHARLOTTE, NORTH CAROLINA 28202
 TEL. 704.333.0888 FAX 704.333.2928
 WWW.LS3P.COM

BSIDE
BULLA SMITH
 DESIGN ENGINEERING
 NC Certificate of Licensure C-3232
 1347 Harding Place Suite 201
 Charlotte, NC 28204
 © 704.333.3122
 A STANLEY D. LINDSEY AND ASSOCIATES, LTD. OFFICE

MEMBERS OF THE AMERICAN INSTITUTE OF ARCHITECTS
 COPYRIGHT 2018 ALL RIGHTS RESERVED
 PRINTED OR ELECTRONIC DRAWINGS AND DOCUMENTATION MAY NOT BE REPRODUCED IN ANY FORM WITHOUT WRITTEN PERMISSION FROM LS3P ASSOCIATES LTD.

REVISIONS:

No.	Description	Date

PROJECT: 5202-189770
 DATE: January 2, 2018
 DRAWN BY: S.H.D.
 CHECKED BY: J.L.S.

SITE AND UTILITY DETAILS

C-061