

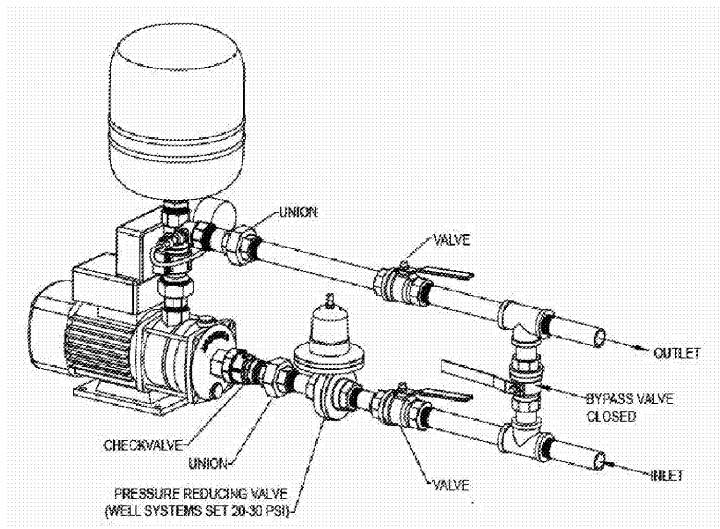
no.	date	revision descriptions

**STARBUCKS SHELL CONSTRUCTION**  
 2500 MONUMENT ROAD  
 JACKSONVILLE, FL

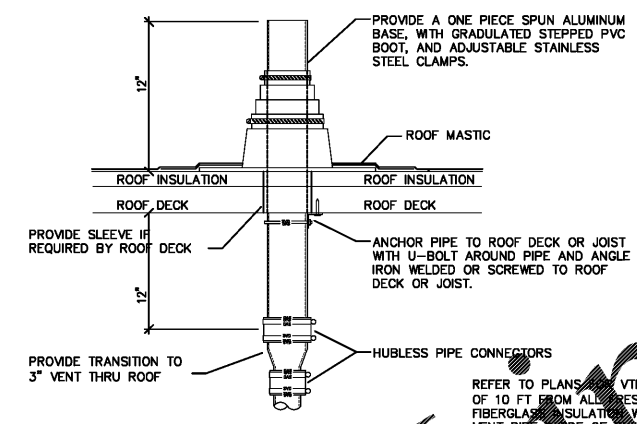
12.13.17  
 date  
 17047  
 comm. no.

PLUMBING SCHEDULES, RISERS & DETAILS

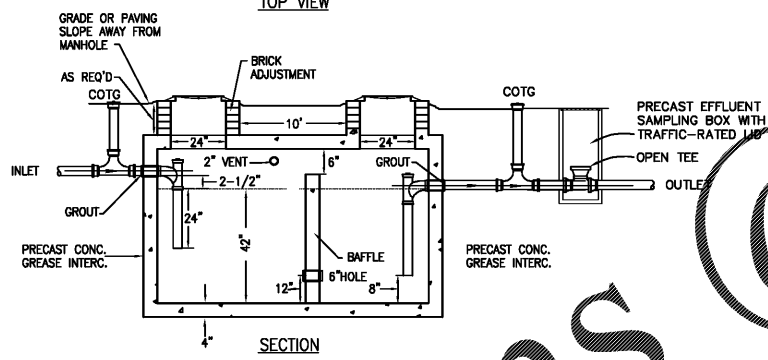
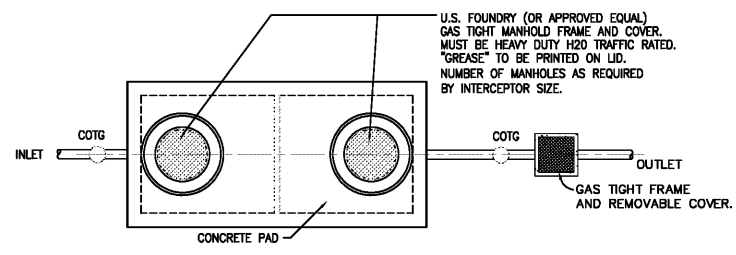
P2.0



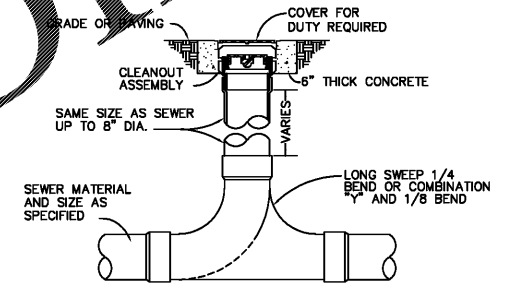
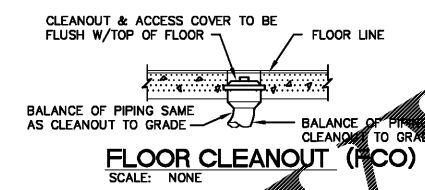
NOTE: MOUNT FROM JOISTS WITH (2) UNISTRUT, 1/2" RODS, AND BEAM CLAMPS



REFER TO PLANS FOR VTR LOCATIONS. PROVIDE MINIMUM OF 10 FT FROM ALL FRESH AIR INTAKES. PROVIDE 1" FIBERGLASS INSULATION WITH AIR SERVICE JACKET ON VENT PIPE INSIDE OF BUILDING WITHIN 6 FT OF VTR LOCATION. COORDINATE AND VERIFY FLASHING AND COUNTER FLASHING WITH ROOFING CONTRACTOR.

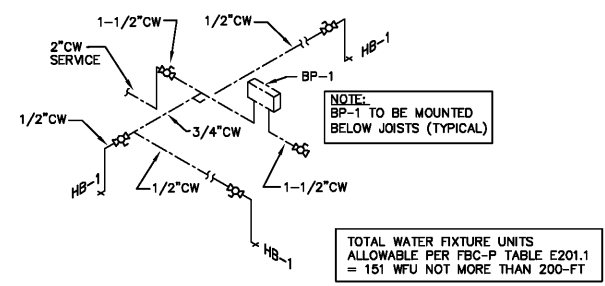
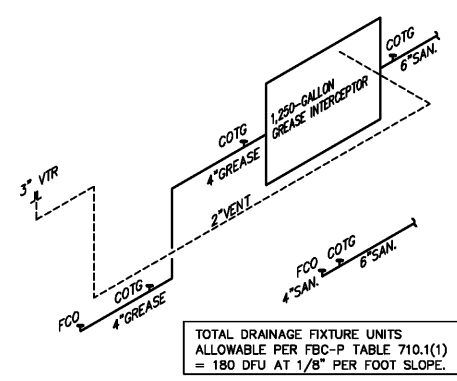


**KITCHEN GREASE INTERCEPTOR SYSTEM DETAIL**  
**ONE 1,250-GALLON INTERCEPTOR**  
 SCALE: NONE



**FIXTURE & CONNECTION SCHEDULE**

FIXTURE	TAG	BRANCH SIZE				MANUFACTURER/MODEL	REMARKS
		DRAINAGE	WASTE	VENT	WATER		
FLOOR CLEANOUT	FCO	--	--	--	--	ZURN # Z1400-ZB	"LEVEL-TROL" ADJUSTABLE FLOOR CLEANOUT, DURA-COATED CAST-IRON, POLISHED BRONZE TOP, ADJUSTABLE TO FLOOR FINISH.
HOSE BIBB	HB-1	--	--	1/2"	--	WOODFORD # B65	HOSE BIBB: FREEZELESS WALL HYDRANT, FLUSH WALL BOX, POLISHED BRASS FACE PLATE, BRONZE CASING, HOSE CONNECTION WITH INTEGRAL VACUUM BREAKER, WHEEL HANDLE. T-KEY FOR BOX.
BOOSTER PUMP	BP-1	--	--	2"	--	DURAMAC # 17052R020PC1	SEPARATE LINE ITEM - PACKAGED DOMESTIC WATER PRESSURE BOOSTER SYSTEM FOR STARBUCKS AND TENANT C. SYSTEM TO INCLUDE 3/4-HP MOTOR AT 120-VOLTS, PROVIDING 40-PSI BOOST, 10-GPM. PROVIDE ALL COMPONENTS NECESSARY FOR COMPLETE INSTALLATION INCLUDING, BUT NOT LIMITED TO: UNIONS, BALL VALVES, AND PRESSURE REDUCING VALVES.
PROVIDE SEPARATE LINE ITEM PRICE							



Order Plans