

REFER TO SHEET A0.3 FOR KEYNOTE SCHEDULE

TO THE FULLEST EXTENT POSSIBLE, COMPONENTS OF THE WALL SECTIONS WILL BE MARKED AS 'TYPICAL' (TYP.). WHERE SO, KEYED NOTES WILL NOT BE DUPLICATED FOR COMPONENTS OF LIKE KIND. SHOULD THE CONTRACTOR REQUIRE CLARIFICATION OF ANY SUCH COMPONENT, A REQUEST FOR INFORMATION (RFI) SHALL BE SUBMITTED TO THE ARCHITECT PRIOR TO BID

FWH Architects
 LIC.# AR0003300
 3301 Grand Blvd, Suite 201
 Holiday, Florida 34690
 Ph. 727. 815. 3336
 Fax 727. 815. 3337

brightwork
 real estate
 1708 WEST SWANN AVE, SUITE 300
 TAMPA, FL 33609
 PHONE: 813.874.1700

TO THE BEST OF THE KNOWLEDGE OF THE ARCHITECTS AND ENGINEERS, PLANS AND SPECIFICATIONS COMPLY WITH THE APPLICABLE MINIMUM BUILDING CODES AND THE APPLICABLE MINIMUM FIRE SAFETY STANDARDS

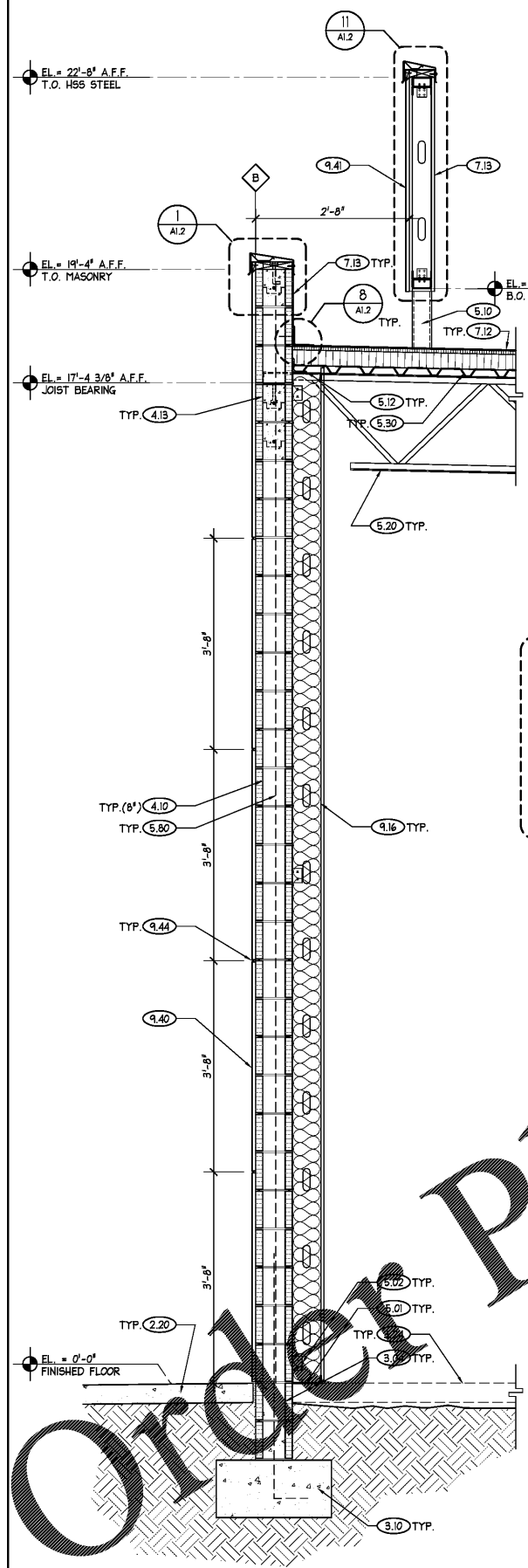
GUY F. FABER
 FL License No. AR0015323

no.	date	revision descriptions

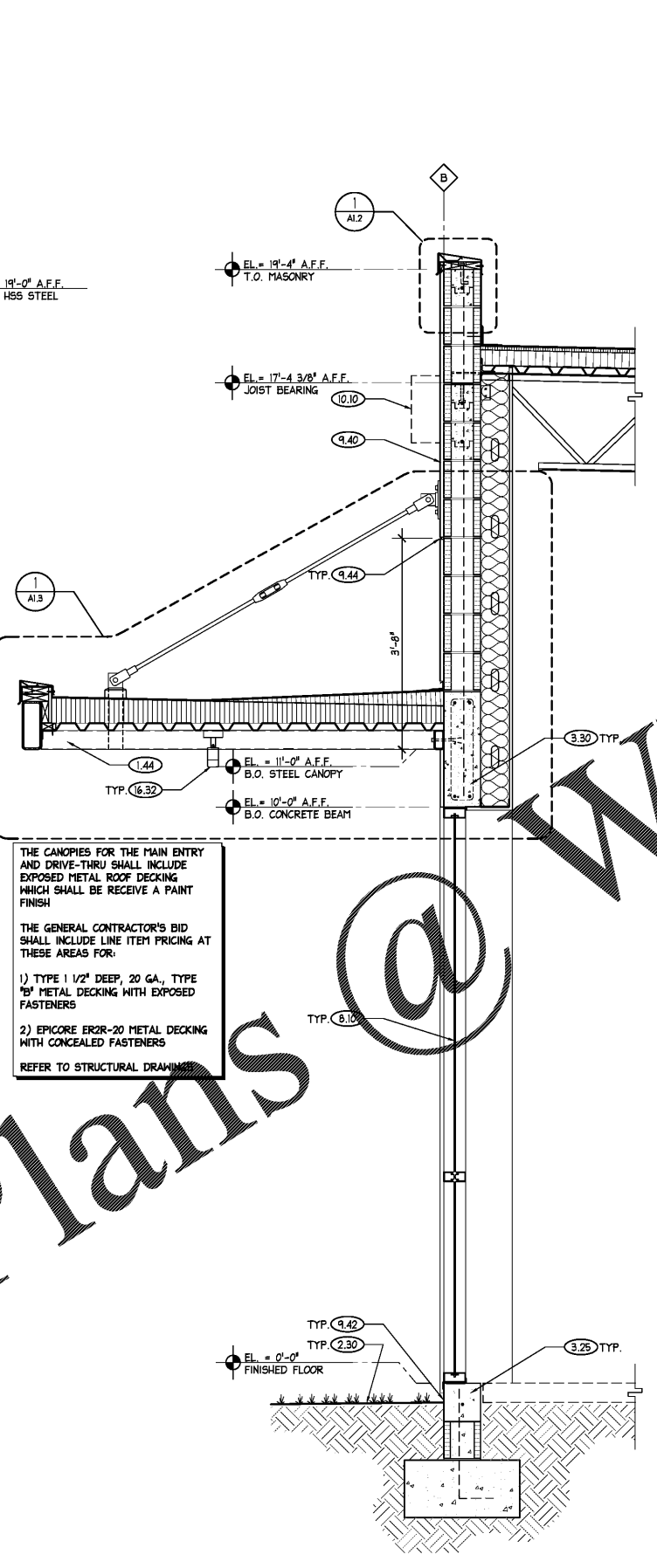
STARBUCKS SHELL CONSTRUCTION
 2500 MONUMENT ROAD
 JACKSONVILLE, FL

12.13.17
 date
 17047
 comm. no.
WALL SECTIONS

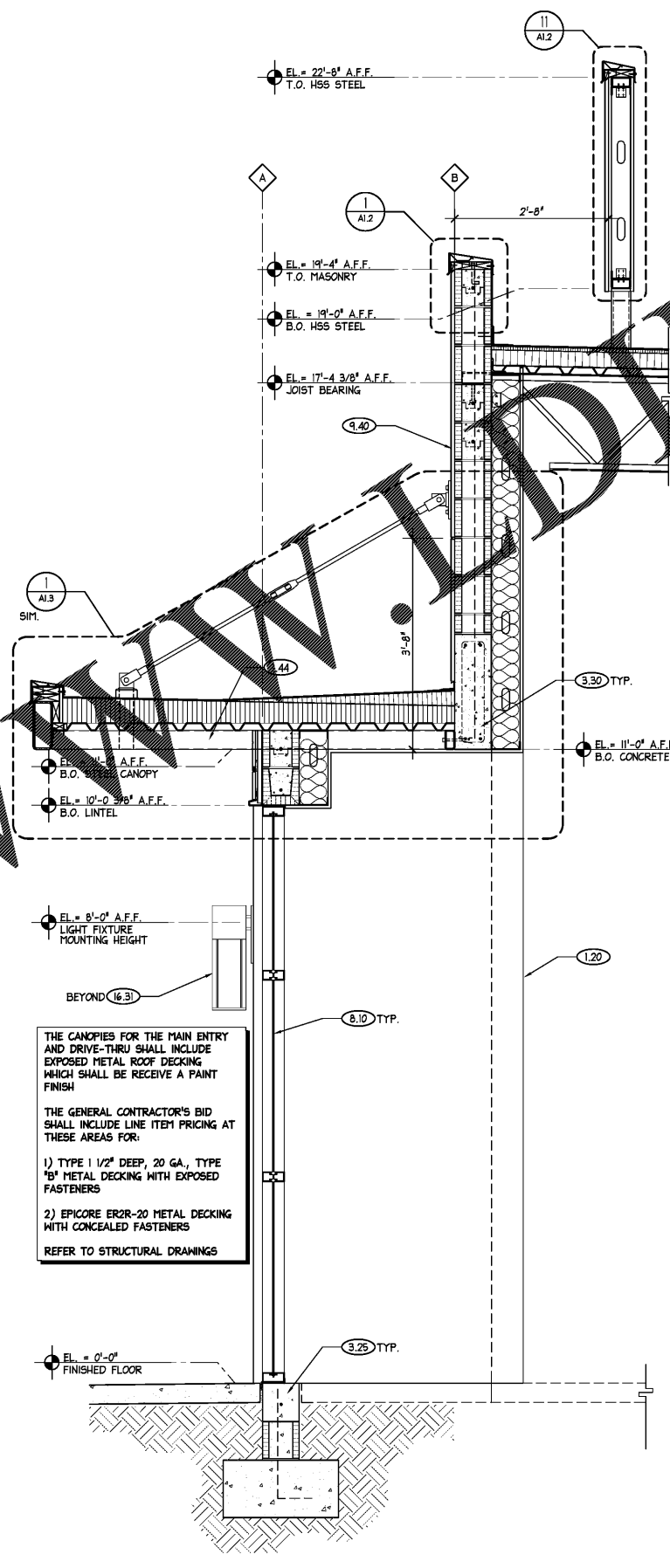
A5.0



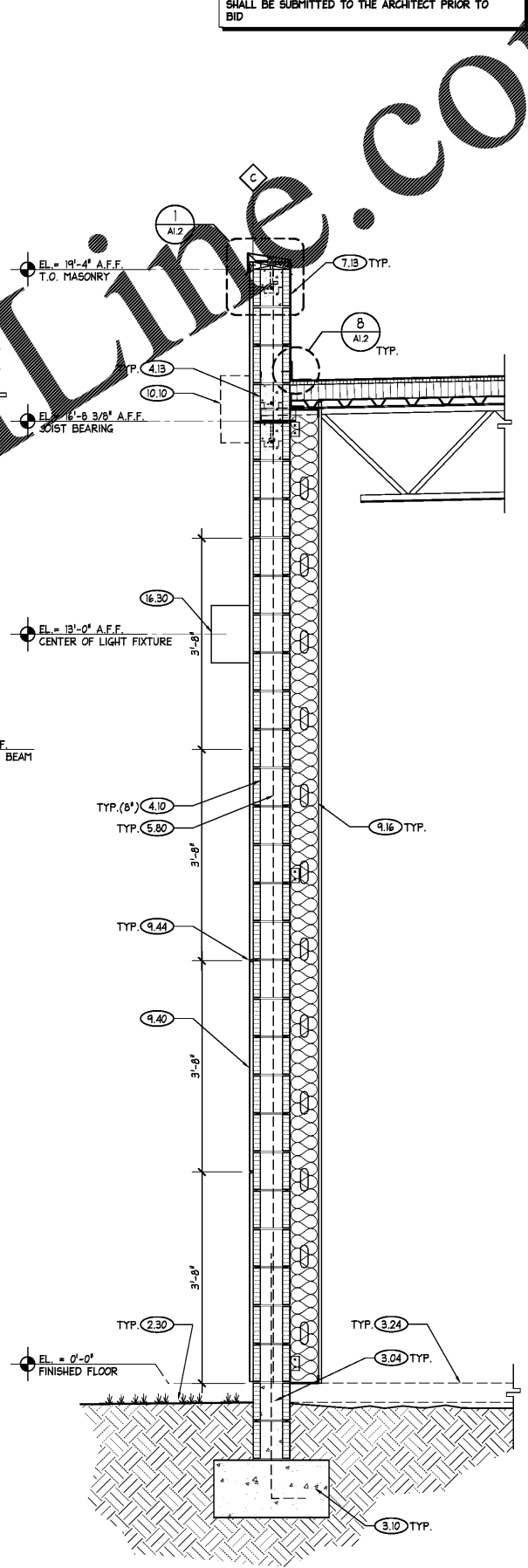
1 WALL SECTION
 SCALE: 3/4" = 1'-0"



2 WALL SECTION
 SCALE: 3/4" = 1'-0"



3 WALL SECTION
 SCALE: 3/4" = 1'-0"



4 WALL SECTION
 SCALE: 3/4" = 1'-0"

THE CANOPIES FOR THE MAIN ENTRY AND DRIVE-THRU SHALL INCLUDE EXPOSED METAL ROOF DECKING WHICH SHALL RECEIVE A PAINT FINISH
 THE GENERAL CONTRACTOR'S BID SHALL INCLUDE LINE ITEM PRICING AT THESE AREAS FOR:
 1) TYPE 1 1/2" DEEP, 20 GA., TYPE "B" METAL DECKING WITH EXPOSED FASTENERS
 2) EPICORE ER2R-20 METAL DECKING WITH CONCEALED FASTENERS
 REFER TO STRUCTURAL DRAWINGS

THE CANOPIES FOR THE MAIN ENTRY AND DRIVE-THRU SHALL INCLUDE EXPOSED METAL ROOF DECKING WHICH SHALL RECEIVE A PAINT FINISH
 THE GENERAL CONTRACTOR'S BID SHALL INCLUDE LINE ITEM PRICING AT THESE AREAS FOR:
 1) TYPE 1 1/2" DEEP, 20 GA., TYPE "B" METAL DECKING WITH EXPOSED FASTENERS
 2) EPICORE ER2R-20 METAL DECKING WITH CONCEALED FASTENERS
 REFER TO STRUCTURAL DRAWINGS

Order Plans

WWW.ONLINE.COM