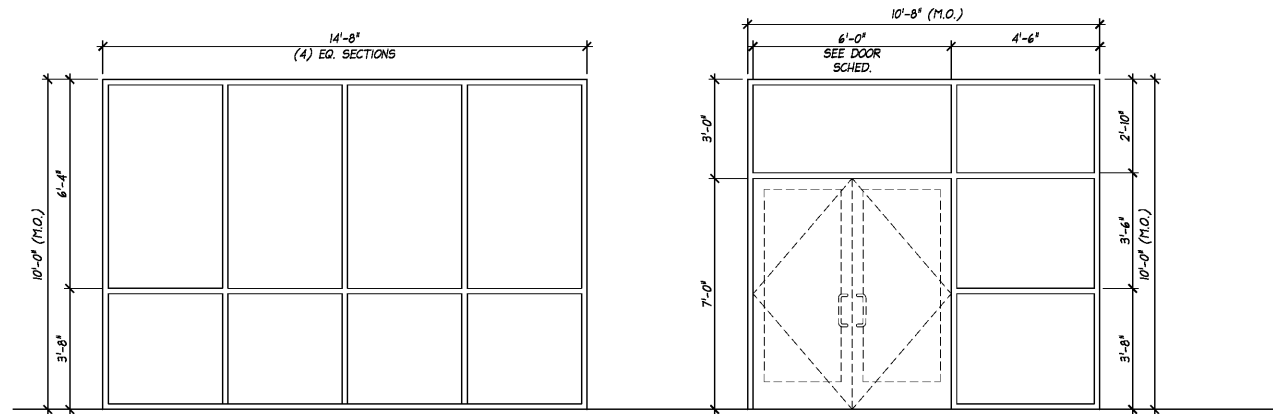
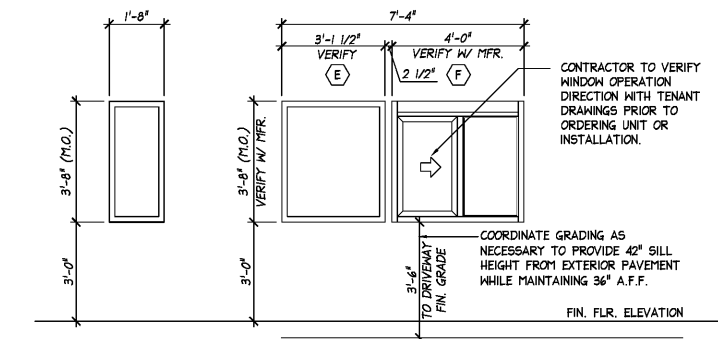


**A** FRAME TYPE 'AL-1'  
ALUM. STOREFRONT WINDOW



**B** FRAME TYPE 'AL-2'  
ALUM. STOREFRONT WINDOW

**C** FRAME TYPE 'AL-3'  
ALUM. STOREFRONT WINDOW



**D** FRAME TYPE 'AL-4'  
ALUM. STOREFRONT WINDOW

**E** FRAME TYPE 'AL-5'  
ALUM. STOREFRONT WINDOW

**F** FRAME TYPE 'AL-6'  
ALUM. DRIVE-THRU WINDOW  
(REFER TO DRIVE-THRU WINDOW SPECIFICATIONS THIS SHEET)

CONTRACTOR TO VERIFY WINDOW OPERATION DIRECTION WITH TENANT DRAWINGS PRIOR TO ORDERING UNIT OR INSTALLATION.

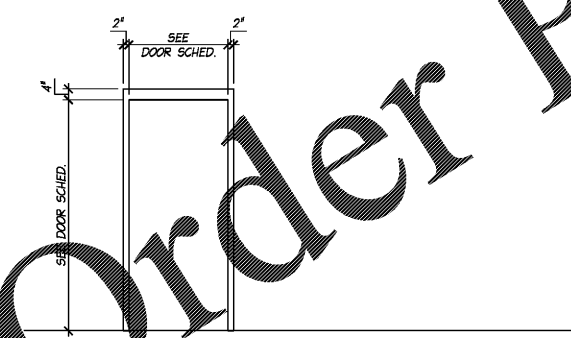
THE CONTRACTOR SHALL OBTAIN DOOR AND STOREFRONT MANUFACTURER'S FLORIDA PRODUCT APPROVAL DATA AND INSTALLATION REQUIREMENTS AND MAKE AVAILABLE TO FIELD INSPECTORS UPON REQUEST.

ALUMINUM STOREFRONT FRAME AND DOOR COMPONENTS SHALL BE "DARK BRONZE".

ALUMINUM STOREFRONT BASED ON YKK YHS 50FI SYSTEM WITH 1 5/16" IMPACT RATED, INSULATED GLASS, CLEAR, LOW-E

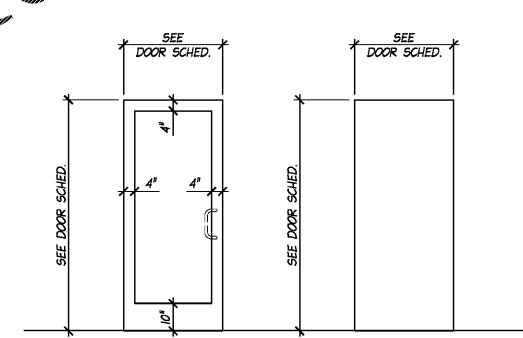
DOORS SHALL BE MEDIUM STILE, HEAVY DUTY, BASED ON YKK MODEL 50M WITH 1" INSULATED GLASS, CLEAR

**1 ALUMINUM STOREFRONT FRAME TYPES**  
SCALE: 3/16" = 1'-0"



**FRAME TYPE 'HM-1'  
EXTERIOR HOLLOW METAL DOOR FRAME**

**2 HOLLOW METAL FRAME TYPES**  
SCALE: 3/16" = 1'-0"



**DOOR TYPE 'A'  
EXTERIOR ALUMINUM STOREFRONT DOOR  
(MEDIUM STILE)**

**DOOR TYPE 'B'  
EXTERIOR HOLLOW METAL DOOR**

**3 DOOR TYPES**  
SCALE: 3/16" = 1'-0"

**FRAME OPENING SCHEDULE**

OPNG NO.	SPACE LOCATION	DOOR (AS APPLICABLE)						FRAME		DETAIL REFERENCE			FINISH		REMARKS REFER TO "FRAME OPENING SCHEDULE REMARKS" AS REFERENCED BELOW	NO.	
		TYPE	WIDTH	HGT.	THK.	MATL.	HDW.	TYPE	MATL.	HEAD	JAMB	THRES/SILL	DR.	FRM.			
1	STOREFRONT	A	3'-0"	7'-0"	BY MFR.	ALUM/ GLASS	2	AL-1	ALUM.	3/A4.1	-	3/A4.1	-	PREFIN	PREFIN	SEE NOTES 3, 4, 5 & 6	1
2	STOREFRONT	A	PR. 3'-0"	PR. 7'-0"	BY MFR.	ALUM/ GLASS	1	AL-3	ALUM.	1/A4.1	-	1/A4.1	-	PREFIN	PREFIN	SEE NOTES 3, 4, 5 & 6	2
3	EXIT/ENTRY	B	3'-6"	7'-0"	1-3/4"	HOLLOW MTL	3	HM-1	HM	5/A4.1	6/A4.1	7/A4.1	-	PAINT	PAINT	SEE NOTES 1, 2 & 5	3
A	SEE ELEVATION							AL-1	ALUM.	3/A4.1	4/A4.1	-	3/A4.1	-	PREFIN	SEE NOTES 3, 4, 5 & 6	4
B	SEE ELEVATION							AL-2	ALUM.	4/A4.1	-	4/A4.1	-	PREFIN	SEE NOTES 3, 4, 5 & 6	5	
C	SEE ELEVATION							AL-3	ALUM.	1/A4.1	2/A4.1	-	1/A4.1	-	PREFIN	SEE NOTES 3, 4, 5 & 6	6
D	SEE ELEVATION							AL-4	ALUM.	8/A4.1 SIM.	-	10/A4.1 SIM.	-	-	SEE NOTES 3, 4, 5 & 6 AND DRIVE-THRU WINDOW NOTES	7	
E	SEE ELEVATION							AL-5	ALUM.	8/A4.1 SIM.	-	10/A4.1	-	PREFIN	SEE NOTES 3, 4, 5 & 6 AND DRIVE-THRU WINDOW NOTES	8	
F	SEE ELEVATION							AL-6	ALUM.	8/A4.1	-	9/A4.1	-	PREFIN	SEE NOTES 3, 4, 5 & 6 AND DRIVE-THRU WINDOW NOTES	9	

**GENERAL DOOR AND HARDWARE NOTES**

- DOOR CLOSURE ARMS SHALL PERMIT MAXIMUM DEGREE OF OPENING PERMITTED BY WALL CONDITIONS
- DOOR CLOSURES SHALL BE APPLIED TO BOTH LEAVES OF A PAIR OF DOORS
- SILENCERS TO BE FURNISHED ON ALL DOOR OPENINGS
- THRESHOLDS TO BE FURNISHED WITH STAINLESS STEEL MACHINE SCREWS AND LEAD ANCHORS
- FURNISH RESTROOM DOORS WITH 1" UNDERCUT, U.O.N.
- ALL DOOR HANDLES SHALL BE LEVER TYPE WITH RETURNS TO WITHIN 1/2" OF THE DOOR FACE AND IN CONFORMANCE WITH ANSI 117.1, LATEST EDITION
- CONTRACTOR SHALL RE-KEY DOORS AT COMPLETION OF PROJECT
- ALL STEEL DOORS SHALL BE PAINTED PRIOR TO INSTALLATION OF HARDWARE
- ALL EXTERIOR HOLLOW METAL DOORS AND FRAMES TO BE GALVANIZED
- REFER TO FLOOR PLAN FOR DOOR SWINGS
- EXIT DOORS: DURING BUSINESS HOURS EXIT DOORS SHALL BE OPERABLE FROM INSIDE WITHOUT USE OF A KEY
- HARDWARE SUPPLIER TO VERIFY ALL HARDWARE COMPONENTS ARE COMPATIBLE WITH ACCOMPANYING ITEMS AND ARE IN COMPLIANCE WITH ALL STATE OR PRODUCT APPROVALS
- HARDWARE SUPPLIER TO CONFIRM HARDWARE FINISHES MATCH STOREFRONT FINISH COLOR
- ALL EXTERIOR DOORS SHALL MEET FLORIDA WINDSTORM REQUIREMENTS. THE DOOR HARDWARE SPECIFIED IS BASED AS A BASIS OF DESIGN. IF ALTERNATE HARDWARE IS PROPOSED, PROVIDE FBC PERFORMANCE INFORMATION

**FRAME OPENING SCHEDULE REMARKS**

- DOOR AND FRAME, SEMI-GLOSS PAINT, U.O.N. COLOR TO MATCH ADJACENT WALL COLOR
- PROVIDE INSULATED HOLLOW METAL DOOR
- ALUMINUM STOREFRONT FRAME AND DOOR COMPONENTS SHALL BE "DARK BRONZE"
- ALUMINUM STOREFRONT BASED ON YKK YHS 50FI SYSTEM WITH 1 5/16" IMPACT RATED, INSULATED GLASS, CLEAR, LOW-E

**STOREFRONT**  
U-FACTOR = 0.49  
SOLAR HEAT GAIN COEFFICIENT (SHGC) = 0.25  
VISIBLE TRANSMITTANCE (VT) = 0.43

- THE CONTRACTOR SHALL COORDINATE SUBMITTAL OF MANUFACTURER'S FLORIDA PRODUCT APPROVAL DATA AND INSTALLATION REQUIREMENTS WITH THE BUILDING DEPARTMENT, IF REQUIRED
- PROVIDE SILL FLASHING CONTINUOUS ALONG BOTTOM OF ALL SILL MEMBERS. AT TERMINATION OF SILL FLASHING, PROVIDE END CAP OF EQUAL MATERIAL. SET ALL IN BED OF CONTINUOUS SEALANT

**DRIVE-THRU WINDOW**

**WINDOW UNIT**  
READY ACCESS 1600 SERIES\* WINDOW  
MODEL 600MPER 43 1/2" HIGH X 47 1/2" WIDE  
COLOR TO MATCH STOREFRONT, "BLACK"  
\* DRIVE-THRU SHELF IS PROVIDED BY MANUFACTURER

READY ACCESS  
1815 ARTHUR DRIVE  
WEST CHICAGO, IL 60185  
PH: 800-621-5045

**HARDWARE SCHEDULE**

HARDWARE SET NO. 1	HARDWARE SET NO. 3
QTY. ITEM	QTY. ITEM
(2) KAWNEER OR EQUAL SECURING DEVICES 3-POINT LOCKING SYSTEM W/ SINGLE THUMB TURN (INACTIVE LEAF)	(1) DOOR CLOSER 8916 AF89P AL DORMA
(1) ADAMS RITE SECURING DEVICE MS1850S DEADBOLT (ACTIVE LEAF)	(1) FALCON 7PIN CORE COMBINATION "A" KEYWAY 626
(2) FALCON LOCK SECURING DEVICE FALA100C 7 PIN CORE COMBINATION "A" KEYWAY 626 (ACTIVE LEAF)	(1) SUR-LOCK AUTO LOCKING DOOR ALARM, IC, NO CTR INCLUDES MORTISE CYLINDER
(1) FALCON LOCK SECURING DEVICE FALA1000C CUT CONTROL KEY "A" KEYWAY (ACTIVE LEAF)	(1) DOOR SPY, DESCO, SILVER, DS-6
(9) FALCON LOCK SECURING DEVICE FALA1000C CUT USER KEY "A" KEYWAY (ACTIVE LEAF)	(1) NGP WEATHER STRIP 17" 46'X 84"
(2) SECURING DEVICE LN204 MORTISE CYL. SHELL 7 PIN W/AR CAM S. CHROME 26D	(1) NUTONE DOOR BELL
(2) SECURING DEVICE LN206S ADJUSTABLE RING MORTISE CYL. 5/16-13/32 S. CHROME 26D	(1) PEMKO DOOR SWEEP 42"
(2) ROCKWOOD OPERATING TRIM ROCIOS DOOR PULL HANDLE 108XUS32D	(1) ROCKWOOD KICKPLATE 24" HIGH X 2" LESS DOOR WIDTH
(2) DORMA CLOSING DEVICE DORMA8916 DOOR CLOSER 8916 AF89P AL	(1) FULL MORTISE HEAVY DUTY CONTINUOUS GEARED HINGE
(2) ROCKWOOD STOPS 4 HOLDERS DOOR STOP W/ HOOK (473)	(1) 1/2" HIGH X 5" WIDE THRESHOLD NOTCHED AND CUT TO LENGTH
(1) NATIONAL GUARD PRODUCTS, INC ACCESSORY NGP13720 WEATHER STRIP 20' 72X84	(1) FULL LENGTH STEEL ASTRAGAL
(2) PEMKO ACCESSORY PEM18026 DOOR SWEEP 36"	(1) DRIP CAP
(1) PEMKO THRESHOLD COMMERCIAL SADDLE THRESHOLD, 27LA ALUMINUM	
(1) BBW MISC. BBW443 SIGN "THIS DOOR TO REMAIN UNLOCKED DURING HOURS OF BUSINESS"	

HARDWARE SET NO. 2
QTY. ITEM
(1) ADAMS RITE DOOR LOCK MS1850S DEADBOLT
(1) KAWNEER 3-POINT LOCKING SYSTEM
(1) BBW SIGN "THIS DOOR TO REMAIN UNLOCKED"
(2) DOOR CLOSER 8916 AF89P AL DORMA
(2) FALCON 7 PIN CORE COMBINATION "A" KEYWAY 626 FINISH I-1
(1) FALCON CUT CONTROL KEY "A" KEYWAY
(9) FALCON CUT USER KEY "A" KEYWAY
(2) MORTISE CYL. SHELL 7 PIN W/AR CAM S.CHROME (26D) FINISH.
(2) ADJUSTABLE RING, MORTISE CYL 5/16-13/32 SATIN CHROME 26D FINISH
(1) KAWNEER WEATHER STRIP
(2) KAWNEER DOOR SWEEP WITH CONCEALED FASTENERS
(2) DOOR PULL HANDLE CO-9 PULL AND CP-II PUSH, #46 STAINLESS STEEL US32D DULL
(2) ROCKWOOD DOOR STOP W/HOOK (473)
(2) KAWNEER OFFSET PIVOTS, WITH FULLY MORTISED INTERMEDIATE PIVOT, DARK BRONZE
(1) 1/2" X 4" THRESHOLD, MILL FINISH
(2) KAWNEER WEATHER STRIP
(2) KAWNEER DOOR SWEEP WITH CONCEALED FASTENERS
(1) DRIP CAP

**FWH Architects**  
LIC.# A-0003300  
333 Grand Blvd. Suite 201  
Holiday, Florida 34690  
Ph. 727. 815. 3336  
Fax 727. 815. 3337

**brightwork** Real Estate  
1108 WEST SWANN AVE. SUITE 300  
TAMPA, FL 33609  
PHONE: 813.874.1700

TO THE BEST OF THE KNOWLEDGE OF THE ARCHITECTS AND ENGINEERS, PLANS AND SPECIFICATIONS COMPLY WITH THE APPLICABLE MINIMUM BUILDING CODES AND THE APPLICABLE MINIMUM FIRE SAFETY STANDARDS

GUY F. FABER  
FL License No. AR0015323

no.	date	revision descriptions

**STARBUCKS SHELL CONSTRUCTION**  
2500 MONUMENT ROAD  
JACKSONVILLE, FL

12.13.17  
date  
17047  
comm. no.

**FRAME OPENING SCHEDULE**

**A4.0**