

STEEL CANOPY NOTES:

CANOPY DETAILS PROVIDED SHOW DESIGN INTENT INCLUDING DIMENSIONS, COMPONENTS AND MOUNTING HEIGHTS. REFER TO STRUCTURAL DRAWINGS FOR STRUCTURAL STEEL COMPONENTS AND METHOD OF ATTACHMENT

ALL EXPOSED STEEL ANNING COMPONENTS INCLUDING THREADED RODS, TURNBUCKLES, CLEVIS AND PIN ASSEMBLIES AND STEEL PLATES SHALL BE PRIMED AND PAINTED WITH (2) COATS OF PAINT (COLOR AS INDICATED ON THE EXTERIOR FINISH SCHEDULE). PROVIDE TOUCH UP AS REQUIRED AFTER INSTALLATION

STEEL AND ALUMINUM COMPONENTS AND CLADDING SHALL BE PROPERLY ISOLATED TO PREVENT GALVANIC ACTION. PROVIDE BITUMINOUS COATING OR ARCHITECT APPROVED METHOD

TO THE FULLEST EXTENT POSSIBLE, ALL FASTENERS TO BE CONCEALED FROM VIEW

ALL DIMENSIONS TO BE FIELD VERIFIED

ALUMINUM ANNING NOTES:

ANNING DETAILS PROVIDED SHOW DESIGN INTENT INCLUDING DIMENSIONS, COMPONENTS AND MOUNTING HEIGHTS. THE ANNING FABRICATOR SHALL PROVIDE SEPARATE SHOP DRAWINGS SHOWING ALL COMPONENTS AND METHOD OF ATTACHMENT. SAID DRAWINGS SHALL BE SUBMITTED TO THE ARCHITECT FOR APPROVAL PRIOR TO FABRICATION. THE ANNING FABRICATOR SHALL SUBMIT DRAWINGS TO THE BUILDING DEPARTMENT FOR REVIEW, APPROVAL AND PERMIT.

PROVIDE WELDED PLATE CAPS AT ALL EXPOSED TUBE TERMINATIONS. ALL WELDED CONNECTIONS SHALL BE GROUND SMOOTH PRIOR TO FINISH APPLICATION

ALUMINUM COMPONENTS TO BE FINISHED WITH STANDARD, OVEN CURED POWDER COAT AND SHALL MEET AAMA 2604 REQUIREMENTS

ALL DIMENSIONS TO BE FIELD VERIFIED

STEEL AND ALUMINUM COMPONENTS AND CLADDING SHALL BE PROPERLY ISOLATED TO PREVENT GALVANIC ACTION. PROVIDE BITUMINOUS COATING OR ARCHITECT APPROVED METHOD

REFER TO SHEET A0.3 FOR KEYNOTE SCHEDULE

TO THE FULLEST EXTENT POSSIBLE, COMPONENTS OF THE WALL SECTIONS WILL BE MARKED AS 'TYPICAL' (TYP.). WHERE SO, KEYED NOTES WILL NOT BE DUPLICATED FOR COMPONENTS OF LIKE KIND. SHOULD THE CONTRACTOR REQUIRE CLARIFICATION OF ANY SUCH COMPONENT, A REQUEST FOR INFORMATION (RFI) SHALL BE SUBMITTED TO THE ARCHITECT PRIOR TO BID

FWH Architects
 Lic. # AR0003300
 3300 Grand Blvd. Suite 201
 Holiday, Florida 34690
 Ph. 727. 815. 3336
 Fax 727. 815. 3337

brightwork
 real estate
 1700 WEST SWANN AVE. SUITE 300
 TAMPA, FL 33609
 PHONE: 813.874.1700

TO THE BEST OF THE KNOWLEDGE OF THE ARCHITECTS AND ENGINEERS, PLANS AND SPECIFICATIONS COMPLY WITH THE APPLICABLE MINIMUM BUILDING CODES AND THE APPLICABLE MINIMUM FIRE SAFETY STANDARDS

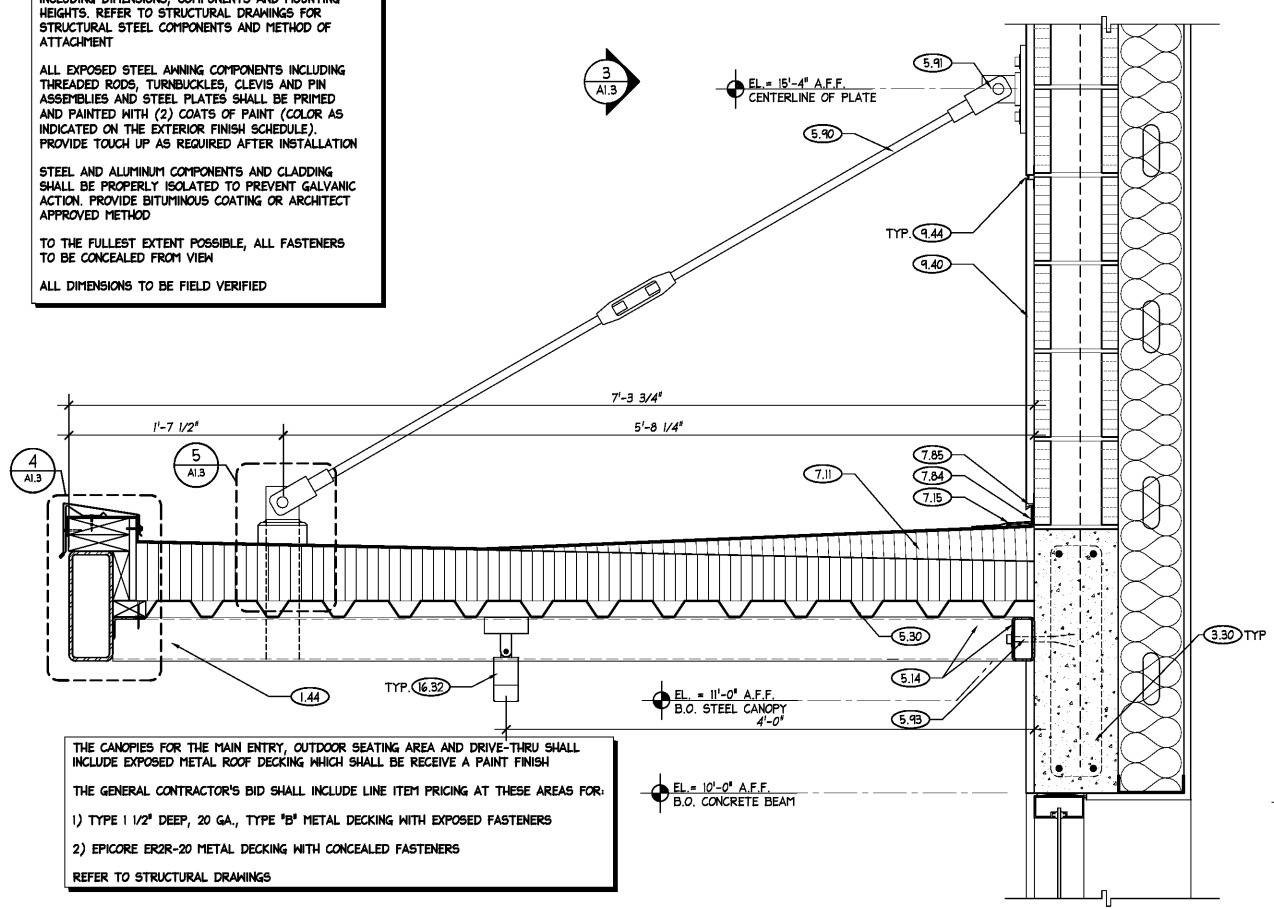
GUY F. FABER
 FL License No. AR0015323

no.	date	revision descriptions

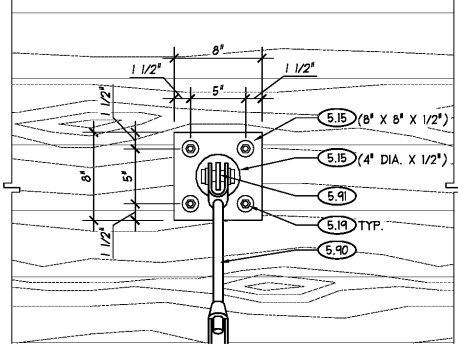
STARBUCKS SHELL CONSTRUCTION
 2500 MONUMENT ROAD
 JACKSONVILLE, FL

12.13.17
 date
 17047
 comm. no.
CANOPY AND ANNING DETAILS

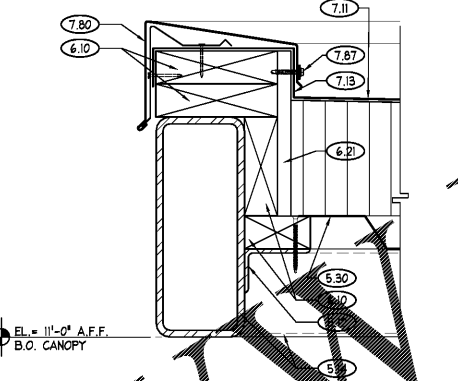
A1.3



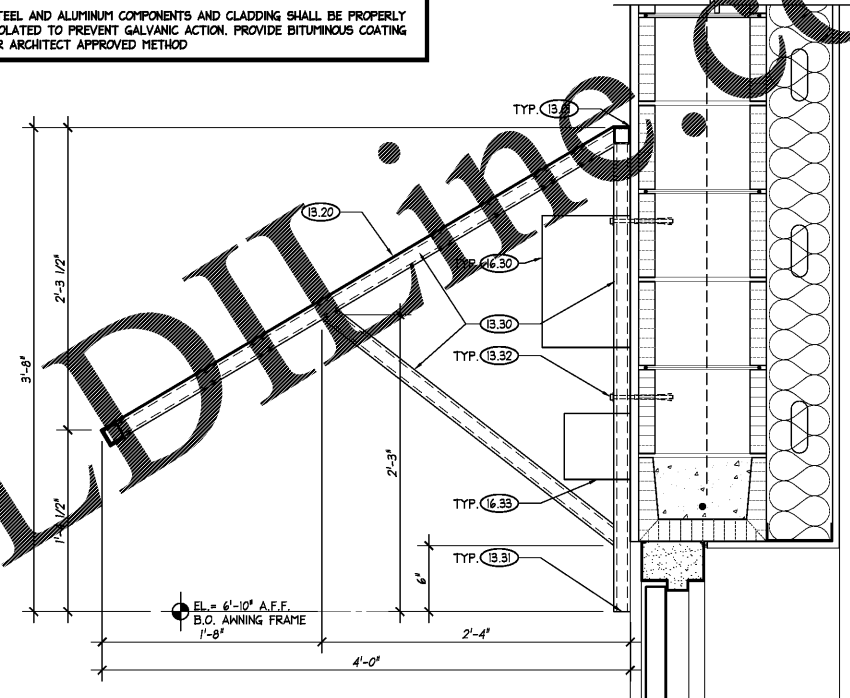
1 STEEL CANOPY SECTION
 SCALE: 1/2" = 1'-0"



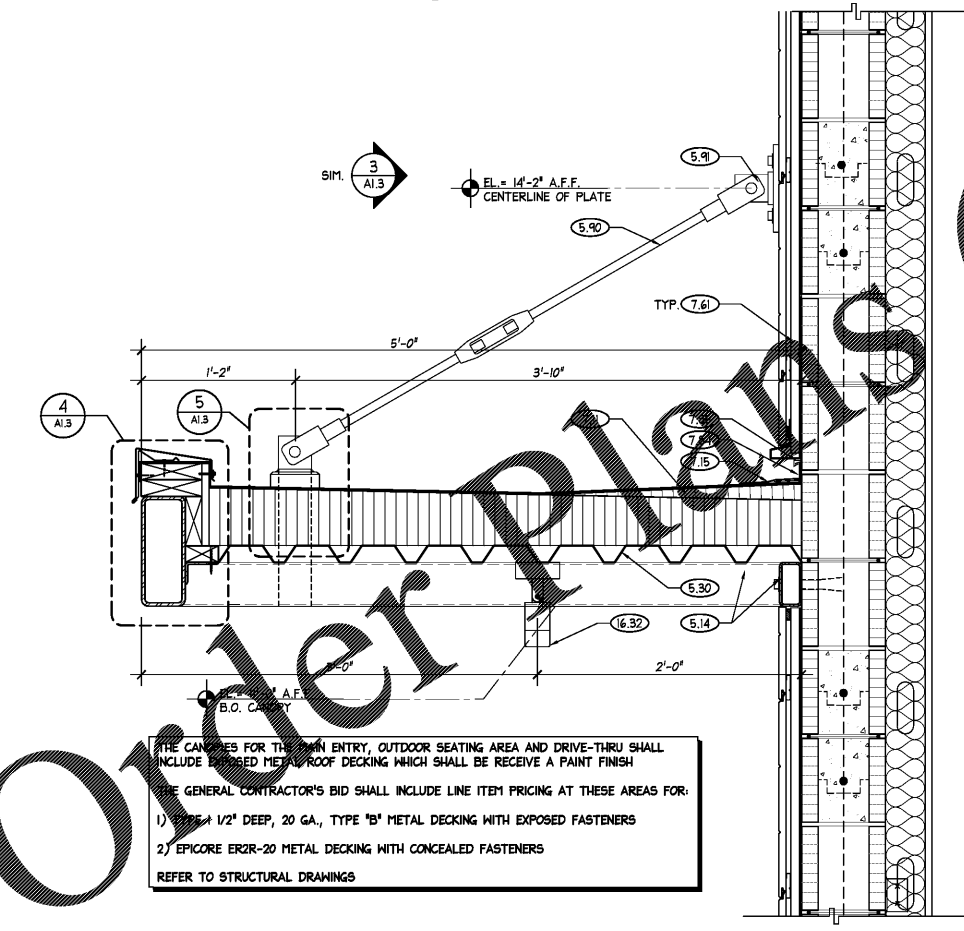
3 PLATE ELEVATION
 SCALE: 1/2" = 1'-0"



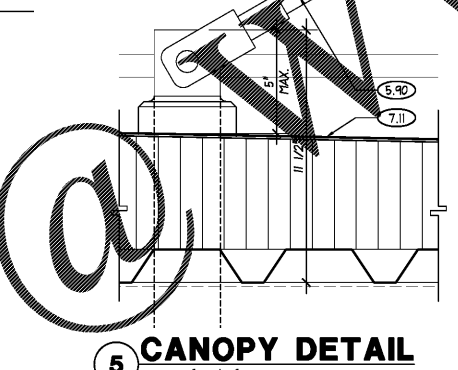
4 CANOPY DETAIL
 SCALE: 3" = 1'-0"



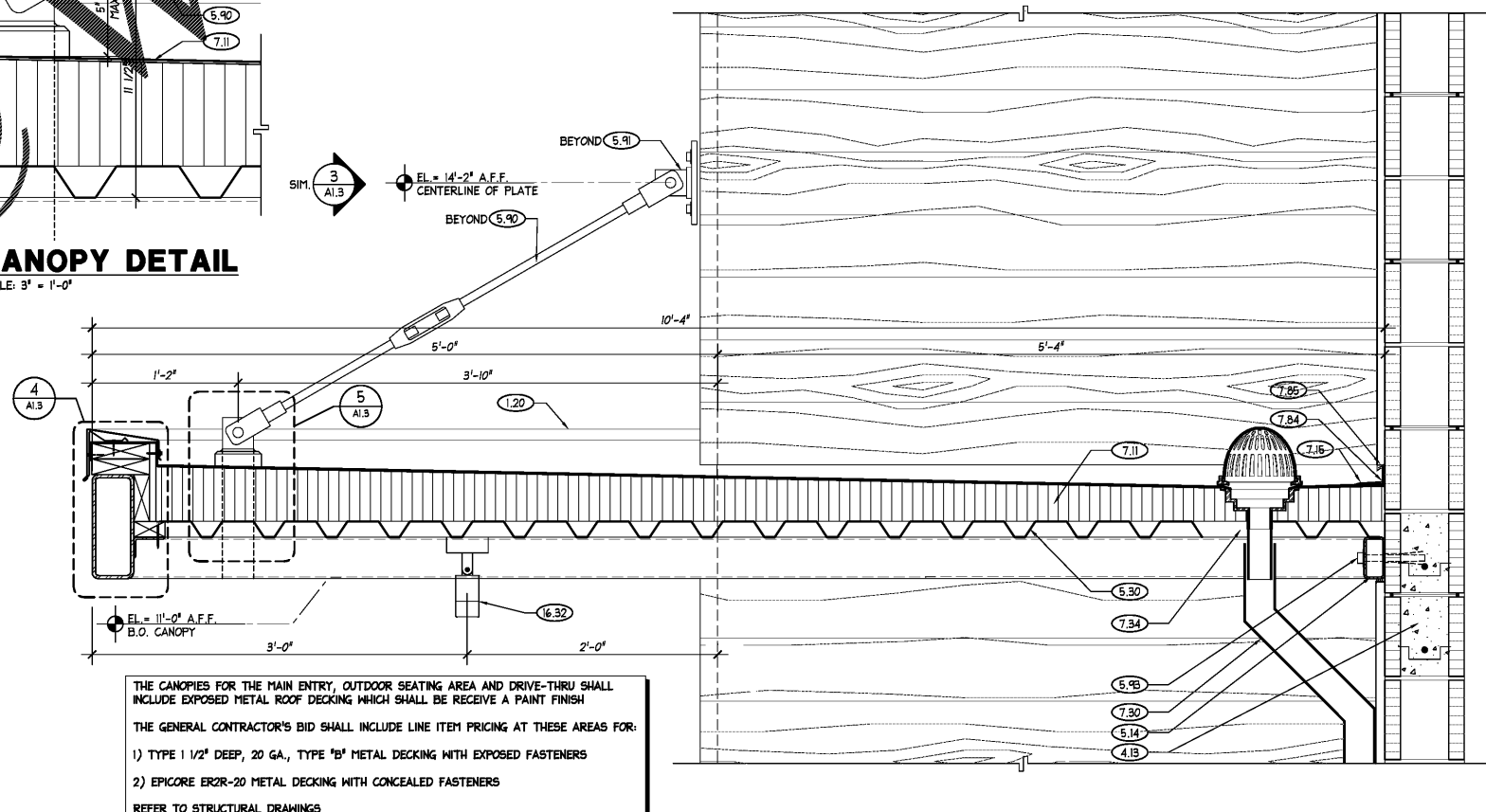
6 ALUMINUM ANNING SECTION
 SCALE: 1/2" = 1'-0"



2 STEEL CANOPY SECTION
 SCALE: 1/2" = 1'-0"



5 CANOPY DETAIL
 SCALE: 3" = 1'-0"



2A STEEL CANOPY SECTION
 SCALE: 1/2" = 1'-0"

Order Plans

@FWH

LDIline.com

THE CANOPIES FOR THE MAIN ENTRY, OUTDOOR SEATING AREA AND DRIVE-THRU SHALL INCLUDE EXPOSED METAL ROOF DECKING WHICH SHALL BE RECEIVE A PAINT FINISH

THE GENERAL CONTRACTOR'S BID SHALL INCLUDE LINE ITEM PRICING AT THESE AREAS FOR:

- 1) TYPE 1 1/2" DEEP, 20 GA., TYPE 'B' METAL DECKING WITH EXPOSED FASTENERS
- 2) EPICORE ER2R-20 METAL DECKING WITH CONCEALED FASTENERS

REFER TO STRUCTURAL DRAWINGS

THE CANOPIES FOR THE MAIN ENTRY, OUTDOOR SEATING AREA AND DRIVE-THRU SHALL INCLUDE EXPOSED METAL ROOF DECKING WHICH SHALL BE RECEIVE A PAINT FINISH

THE GENERAL CONTRACTOR'S BID SHALL INCLUDE LINE ITEM PRICING AT THESE AREAS FOR:

- 1) TYPE 1 1/2" DEEP, 20 GA., TYPE 'B' METAL DECKING WITH EXPOSED FASTENERS
- 2) EPICORE ER2R-20 METAL DECKING WITH CONCEALED FASTENERS

REFER TO STRUCTURAL DRAWINGS