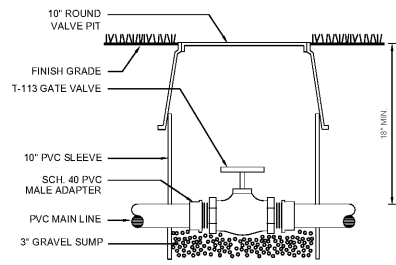
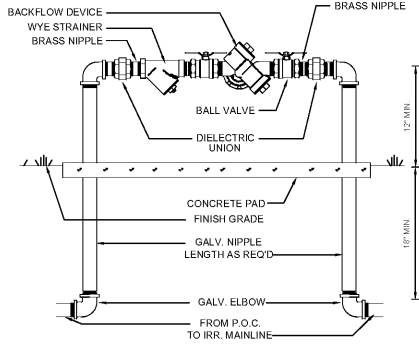


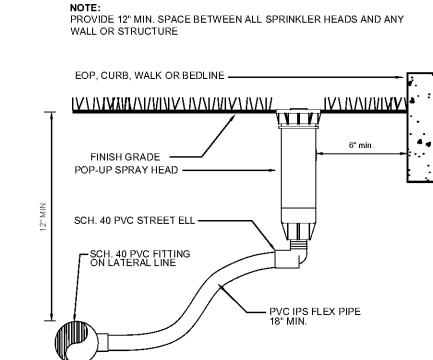
1 REMOTE CONTROL VALVE
SCALE: NTS



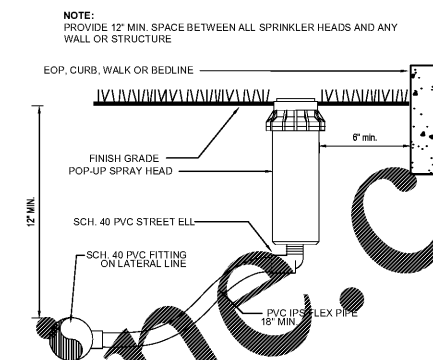
2 ISOLATION GATE VALVE
SCALE: NTS



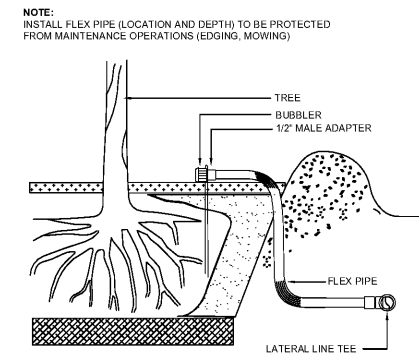
3 BACKFLOW PREVENTION DEVICE
SCALE: NTS



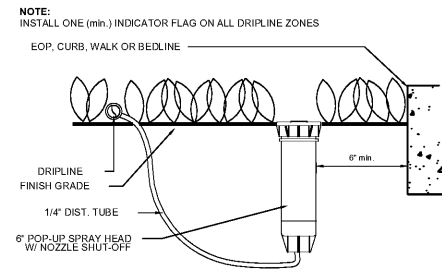
4 TURF SPRAY HEAD
SCALE: NTS



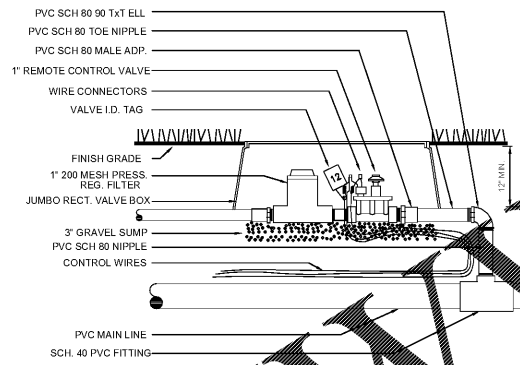
5 TURF ROTOR HEAD
SCALE: NTS



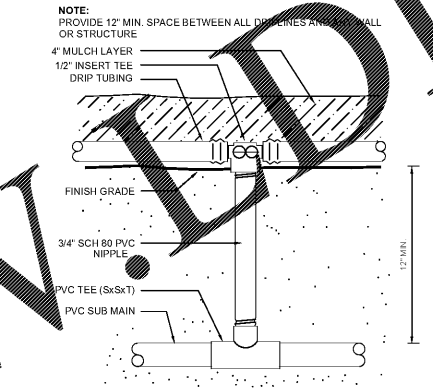
6 TREE BUBBLER
SCALE: NTS



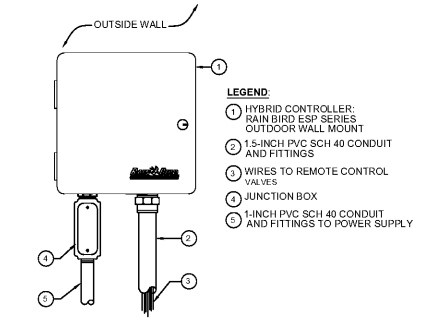
7 ZONE INDICATOR FLAG
SCALE: NTS



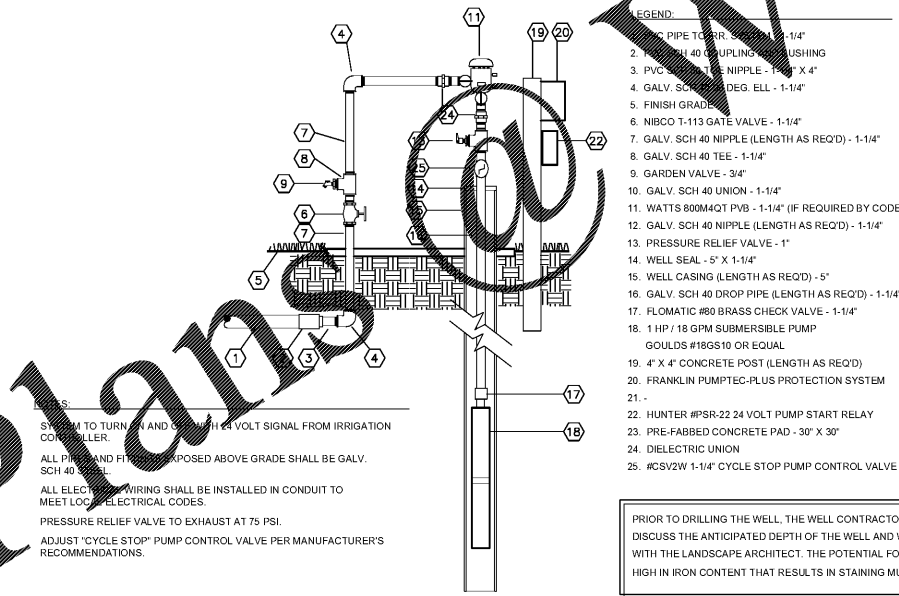
8 20 GPM DRIP ZONE CONTROL VALVE
SCALE: NTS



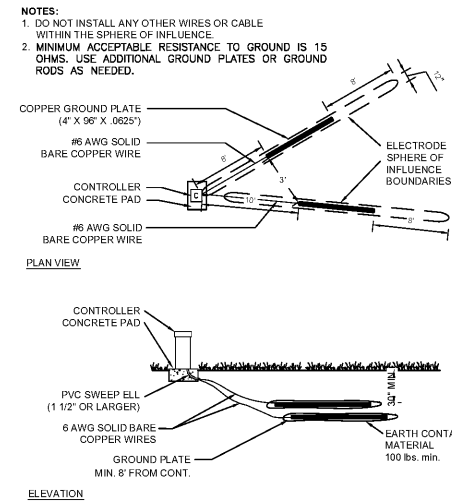
9 PVC - DRIP CONNECTION
SCALE: NTS



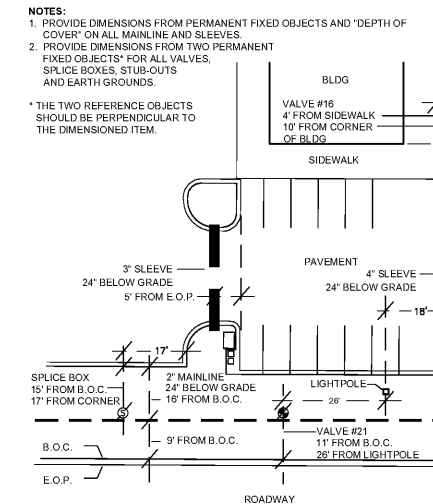
10 IRRIGATION CONTROLLER
SCALE: NTS



11 IRRIGATION PUMP AND WELL
SCALE: NTS



12 CONTROLLER GROUNDING
SCALE: NTS



13 "AS BUILT" TYPICAL
SCALE: NTS

PRIOR TO DRILLING THE WELL, THE WELL CONTRACTOR MUST DISCUSS THE ANTICIPATED DEPTH OF THE WELL AND WATER QUALITY WITH THE LANDSCAPE ARCHITECT. THE POTENTIAL FOR WELL WATER HIGH IN IRON CONTENT THAT RESULTS IN STAINING MUST BE MINIMIZED.

Order Plans @

BOHLER ENGINEERING
LANDSCAPE ARCHITECTURE, PLUMBING, ELECTRICAL, MECHANICAL, AND IRRIGATION SERVICES
SUSTAINABLE DESIGN PERMITTING SERVICES
SOUTH DORSET, VT 05357
PHILADELPHIA, PA
NEW ENGLAND
NEW YORK, NY
SOUTH FLORIDA
SOUTH CAROLINA
WASHINGTON, DC
ATLANTA, GA
CENTRAL VIRGINIA
DALLAS, TX
CHARLOTTE, NC
NORTHERN MARYLAND
NORTHERN NEW JERSEY

REVISIONS

REV	DATE	COMMENT	BY

811 KNOW WHAT'S BELOW
ALWAYS CALL 811
BEFORE YOU DIG
www.callsunshine.com

PERMIT SET

PROJECT NO.:	FL1770090
DRAWN BY:	KS
CHECKED BY:	KS
DATE:	11/29/2017
SCALE:	AS NOTED
CAD I.D.:	L10

PROJECT: **STARBUCKS COFFEE**

FOR
BW MONUMENT McCORMICK, LLC
LOCATION OF SITE
2500 MONUMENT RD
JACKSONVILLE, FL
CITY OF JACKSONVILLE

BOHLER ENGINEERING
3820 NORTHDALE BLVD., SUITE 300B
TAMPA, FLORIDA 33624
Phone: (813) 812-4100
Fax: (813) 812-4101
FLORIDA BUSINESS CERT. OF AUTH. No. 30790
LANDSCAPE ARCHITECT LICENSE NO. LC-30000001

REGISTERED PROFESSIONAL LANDSCAPE ARCHITECT
STATE OF FLORIDA
12/24/2017

SHEET TITLE:
IRRIGATION DETAILS
SHEET NUMBER:
LI-5.01