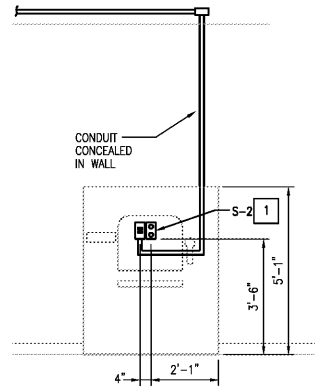


**KEYED NOTES** □

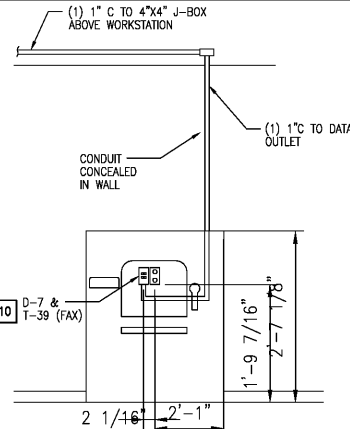
- ISOLATED GROUND (IG) 20 AMP CIRCUIT FOR ATM, FLUSH MOUNT DUPLEX FACE PLATE WITH ORANGE RECEPTACLE. (ALSO REFER TO KEY NOTE 22 ET.D.)
- WORK STATION RECEPTACLE FOR TASK LIGHTING AND TRAINING COMPUTER.
- ISOLATED GROUND (IG) 20 AMP CIRCUIT FOR STORE COMPUTER, FLUSH MOUNT FACE PLATE FOR DUPLEX RECEPTACLE WHICH RECEIVES PLUG FROM UPS (BATTERY BACKUP) AND FUTURE PERIPHERALS.
- QUAD RECEPTACLE FOR SECURITY EQUIPMENT. RECEPTACLE RECEIVES THE FOLLOWING EQUIPMENT PLUGS:
  - VCR
  - MULTIPLEX CONNECTION FOR CAMERAS
  - INTERCOM TO RECORD AUDIO AT SALES COUNTER
  - ALARM RECEIVER
- ISOLATED GROUND (IG) 20 AMP CIRCUIT FOR STORE COMPUTER, FLUSH MOUNT FACE PLATE FOR QUAD RECEPTACLE.
- QUAD TO BE MOUNTED BEHIND CIGARETTE FIXTURE SO NOT VISIBLE TO CUSTOMER.

**SYMBOL LEGEND**

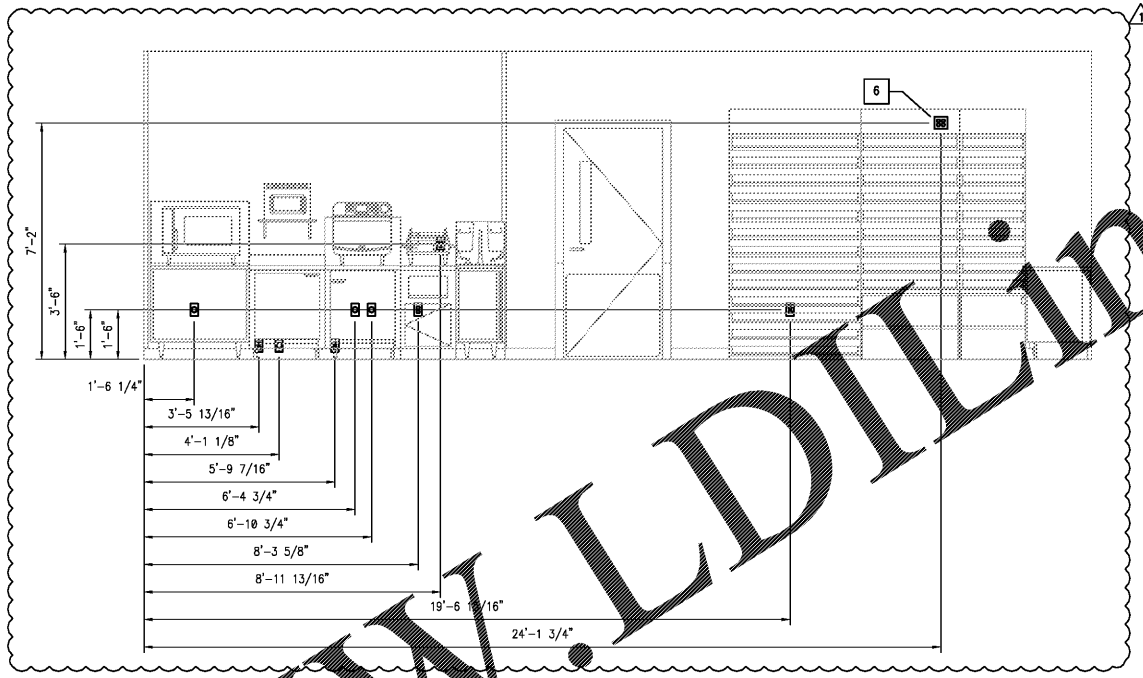
- 125 V GFCI RECEPTACLE, DUPLEX
- 125 V RECEPTACLE, DUPLEX
- 125 V I.G. RECEPTACLE, DUPLEX
- 125 V RECEPTACLE, DOUBLE DUPLEX
- 125 V I.G. RECEPTACLE, DOUBLE DUPLEX
- SPECIAL RECEPTACLE (SEE POWER PLAN FOR NEMA CONFIG)
- TELEPHONE/ DATA OUTLET



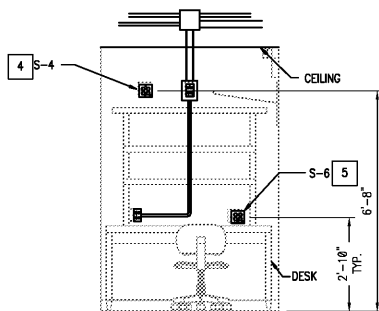
3 ATM WIRING-POWER NTS



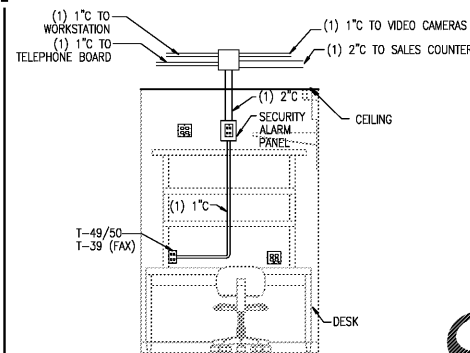
6 ATM WIRING-LOW VOLTAGE NTS



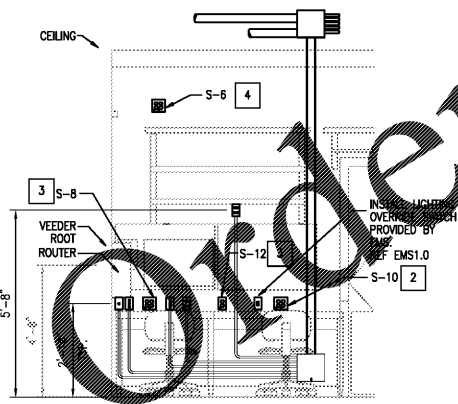
7 INTERIOR ELEVATION - SALES NTS



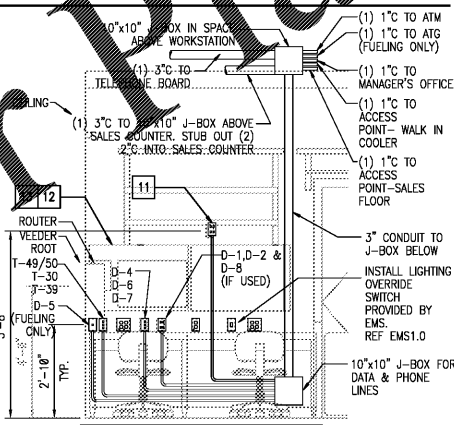
2 MGRS OFFICE WIRING-POWER NTS



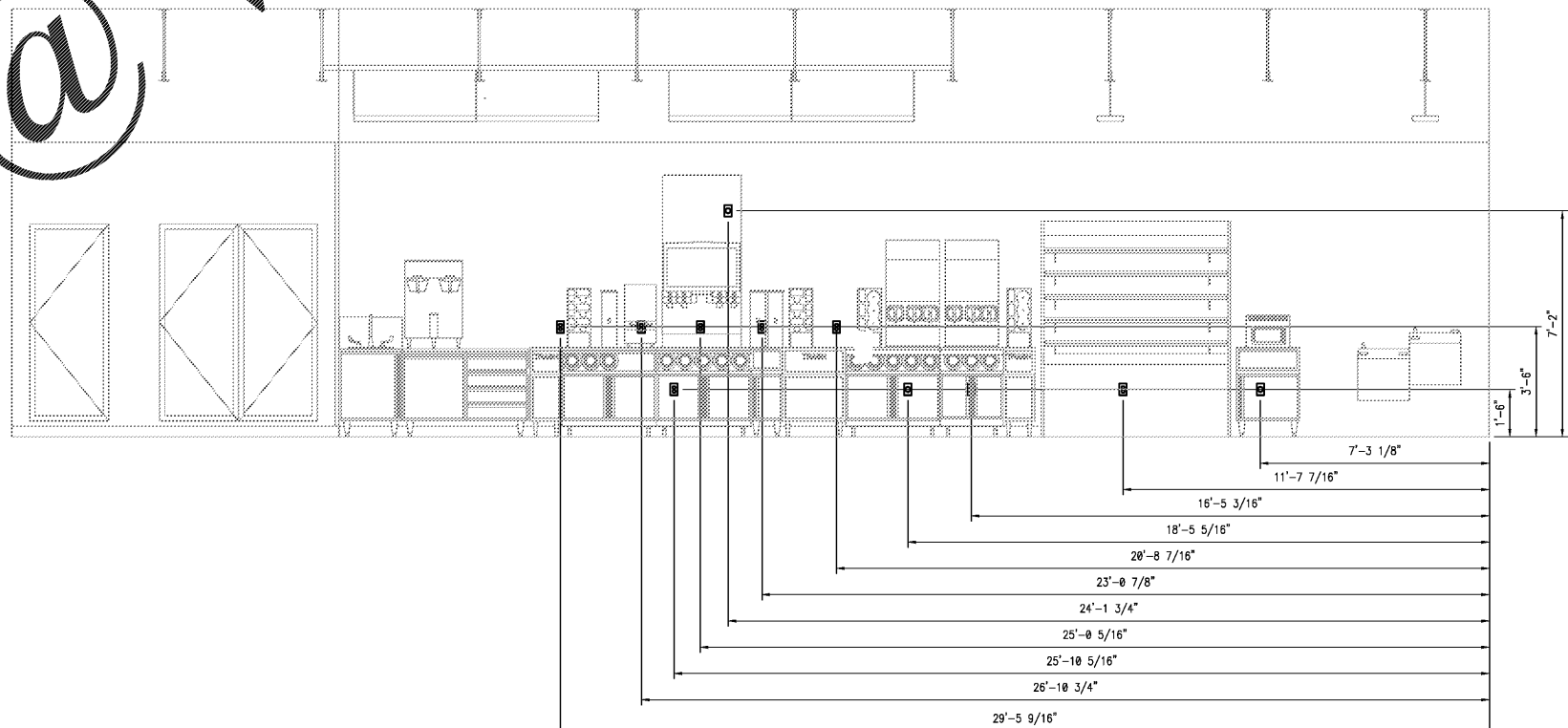
5 MGRS OFFICE WIRING-LOW VOLTAGE NTS



1 WORKSTATION WIRING-POWER NTS



4 WORKSTATION WIRING-LOW VOLTAGE NTS



8 INTERIOR ELEVATION - BEVERAGE BAR NTS

SEAL:

NO.	DATE	REVISIONS
2	07.07.17	PEER REVIEW COMMENTS
1	06.21.17	PEER REVIEW COMMENTS



BID SET  
JANUARY 8, 2018

**7-ELEVEN**  
**STORE #32810**

5544 RONALD REAGAN PARKWAY  
DAVENPORT, FL  
33896

PROJECT NO: 2016.0305  
DATE: MAY 31, 2017

**E1.6**  
ELECTRICAL DETAILS

CHECKED: SN DRAWN: VLD

INTERPLANS, LLC RESERVE COPYRIGHT & OTHER RIGHTS RESTRICTING THESE DOCUMENTS TO THE ORIGINAL SITE OR PARTIAL FOR WHICH THEY WERE PREPARED. REPRODUCTIONS, CHANGES OR ASSIGNMENTS ARE PROHIBITED. COPYRIGHT © 2016