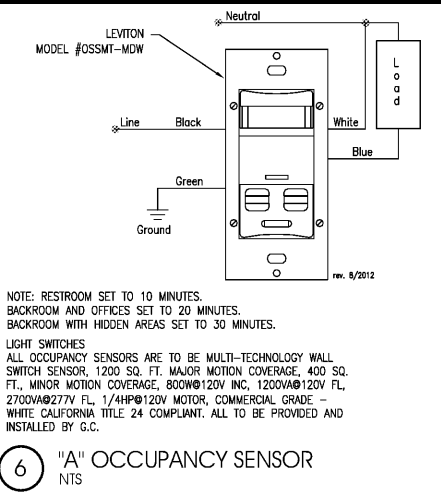
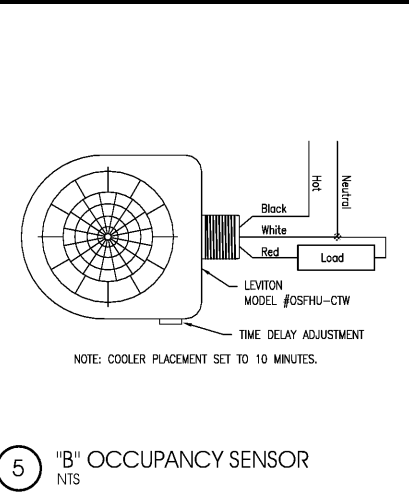


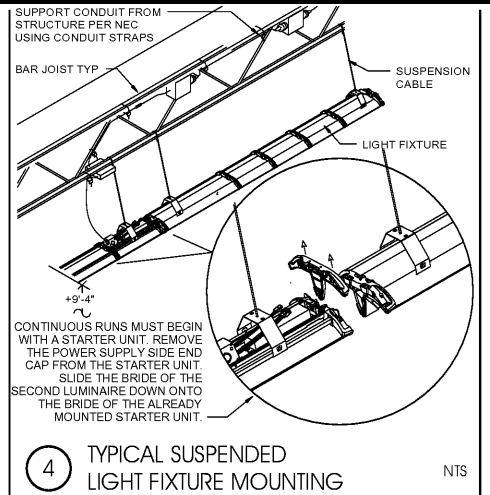
SEAL:



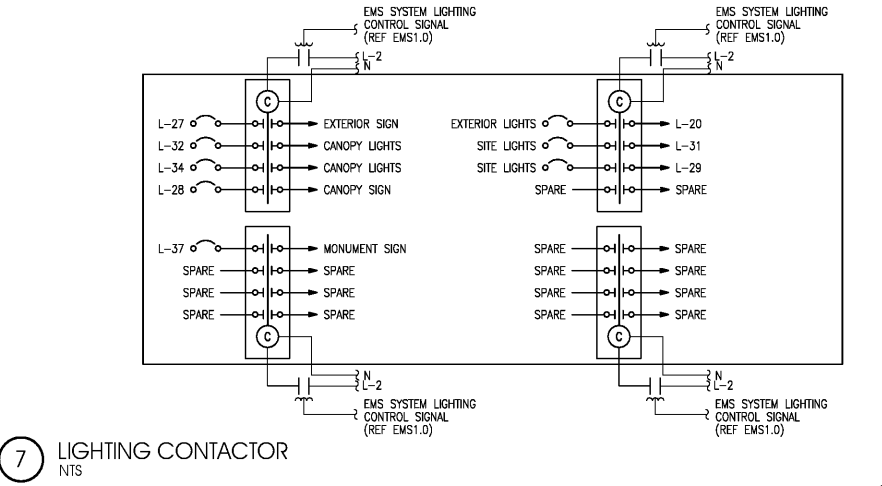
6 "A" OCCUPANCY SENSOR  
NTS



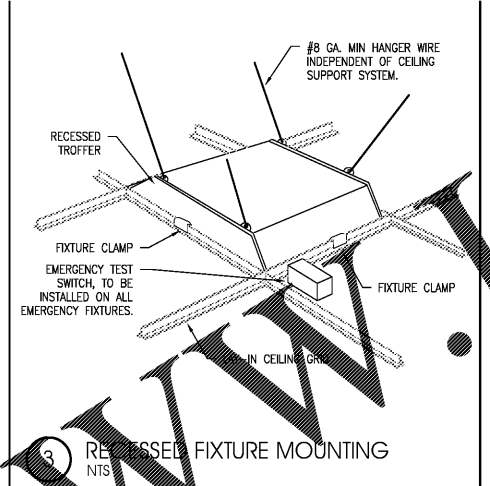
5 "B" OCCUPANCY SENSOR  
NTS



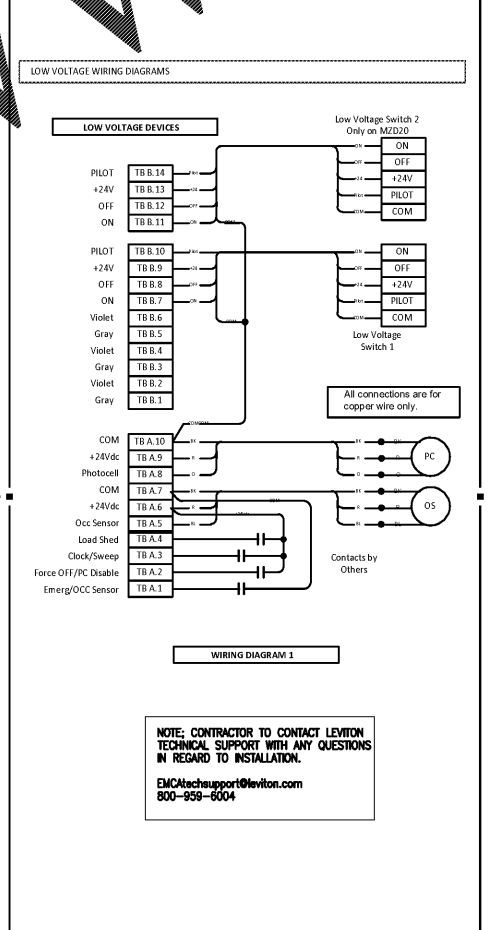
4 TYPICAL SUSPENDED LIGHT FIXTURE MOUNTING  
NTS



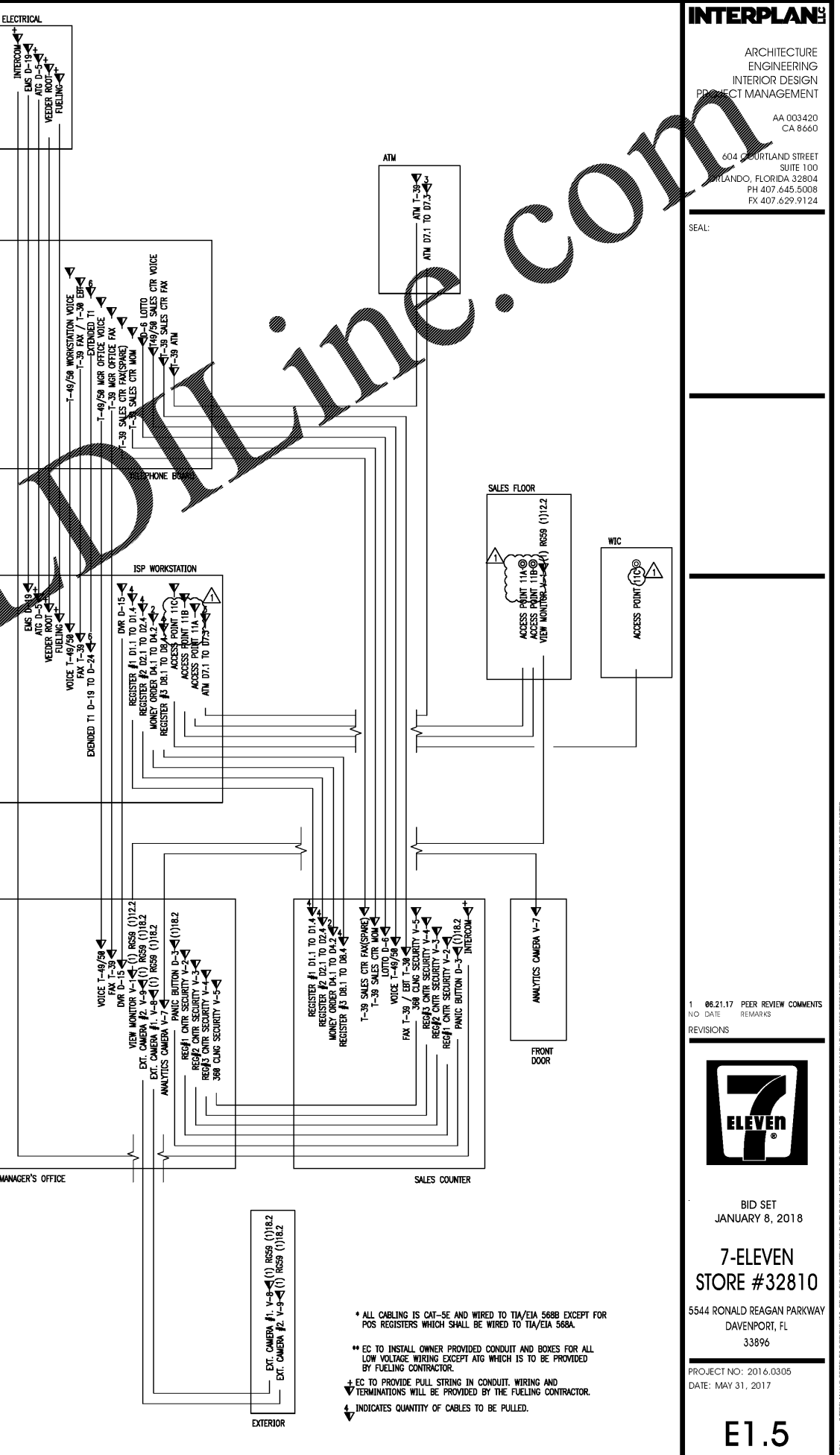
7 LIGHTING CONTACTOR  
NTS



3 RECESSED FIXTURE MOUNTING  
NTS



2 IRC WIRING DIAGRAM  
NTS



1 LOW VOLTAGE RISER DIAGRAM  
1/4" = 1'-0"

Order Plans @ WWW.WWLDIline.com

NOTE: CONTRACTOR TO CONTACT LEVITON TECHNICAL SUPPORT WITH ANY QUESTIONS IN REGARD TO INSTALLATION.  
EMCAtechsupport@leviton.com  
800-958-6004

\* ALL CABLEING IS CAT-5E AND WIRED TO TIA/EIA 568B EXCEPT FOR POS REGISTERS WHICH SHALL BE WIRED TO TIA/EIA 568A.  
\*\* EC TO INSTALL OWNER PROVIDED CONDUIT AND BOXES FOR ALL LOW VOLTAGE WIRING EXCEPT ATG WHICH IS TO BE PROVIDED BY FUELING CONTRACTOR.  
† EC TO PROVIDE PULL STRING IN CONDUIT. WIRING AND TERMINATIONS WILL BE PROVIDED BY THE FUELING CONTRACTOR.  
‡ INDICATES QUANTITY OF CABLES TO BE PULLED.

1 06.21.17 PEER REVIEW COMMENTS  
NO. DATE REMARKS  
REVISIONS



BID SET  
JANUARY 8, 2018

7-ELEVEN  
STORE #32810

5544 RONALD REAGAN PARKWAY  
DAVENPORT, FL  
33896

PROJECT NO: 2016.0305  
DATE: MAY 31, 2017

E1.5  
LOW VOLTAGE DETAILS AND  
ONE LINE DIAGRAM

CHECKED: SN DRAWN: VLD

INTERPLAN LLC RESERVE COPYRIGHT & OTHER RIGHTS RESTRICTING THESE DOCUMENTS TO THE ORIGINAL BTE OR PARTNER FOR WHICH THEY WERE PREPARED. REPRODUCTIONS, CHANGES OR ASSIGNMENTS ARE PROHIBITED. COPYRIGHT © 2016