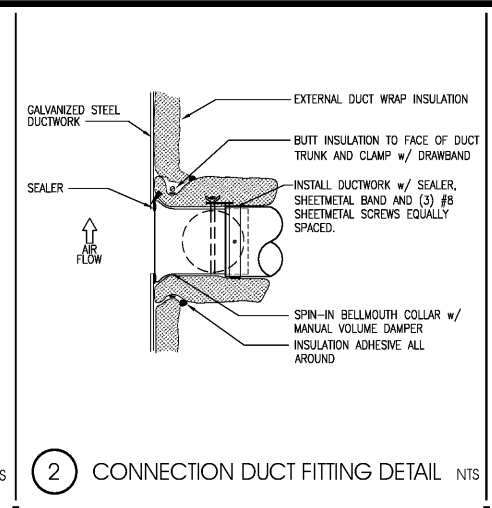
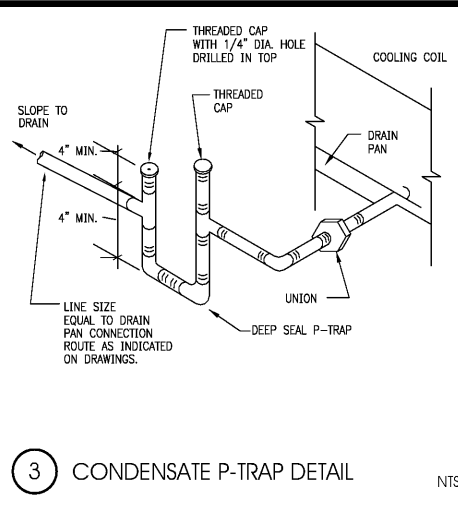


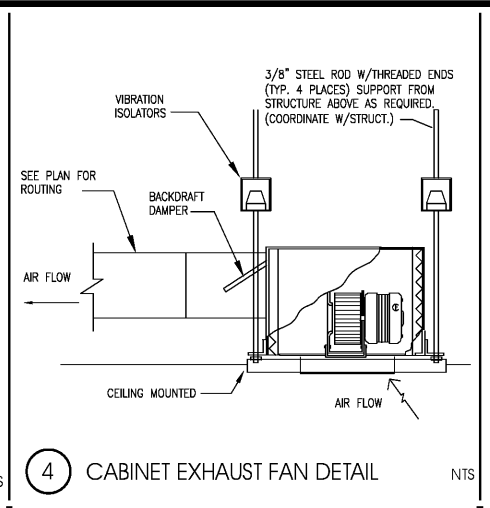
1 EXHAUST VENT THRU ROOF NTS



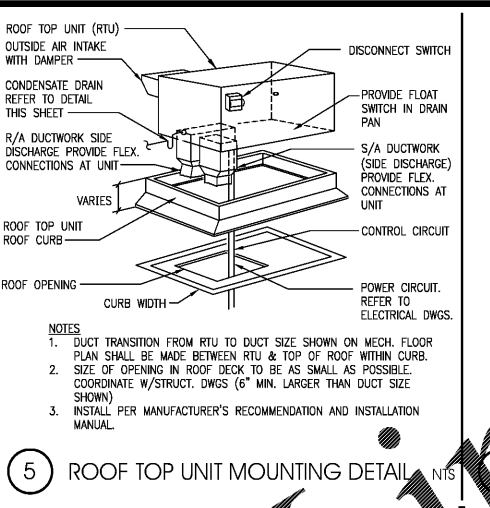
2 CONNECTION DUCT FITTING DETAIL NTS



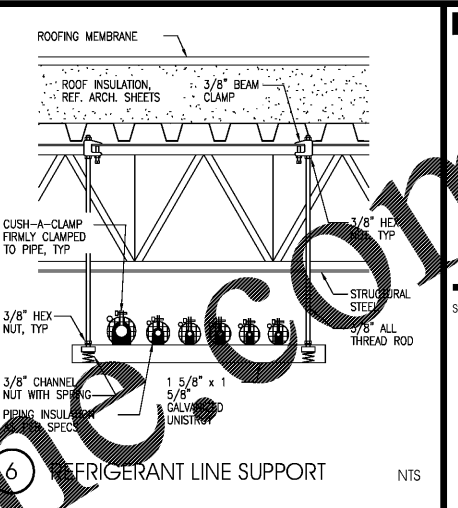
3 CONDENSATE P-TRAP DETAIL NTS



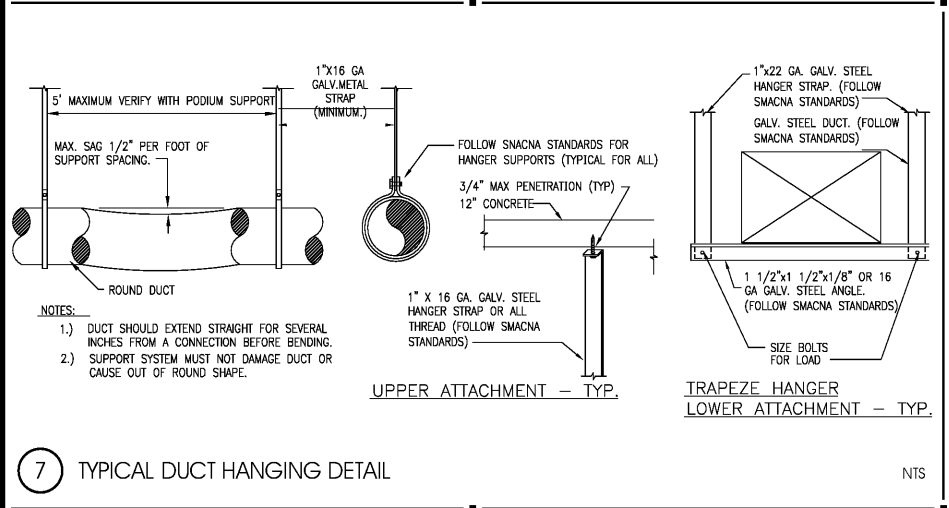
4 CABINET EXHAUST FAN DETAIL NTS



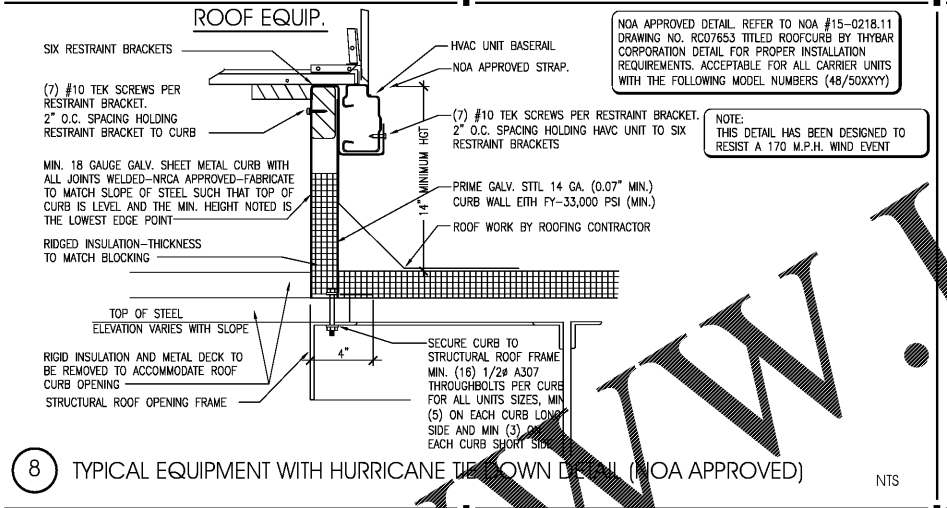
5 ROOF TOP UNIT MOUNTING DETAIL NTS



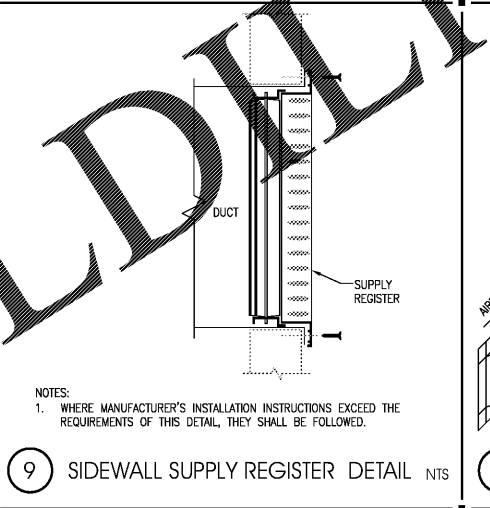
6 REFRIGERANT LINE SUPPORT NTS



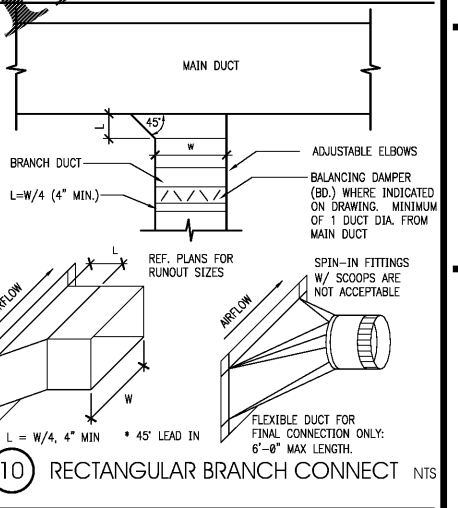
7 TYPICAL DUCT HANGING DETAIL NTS



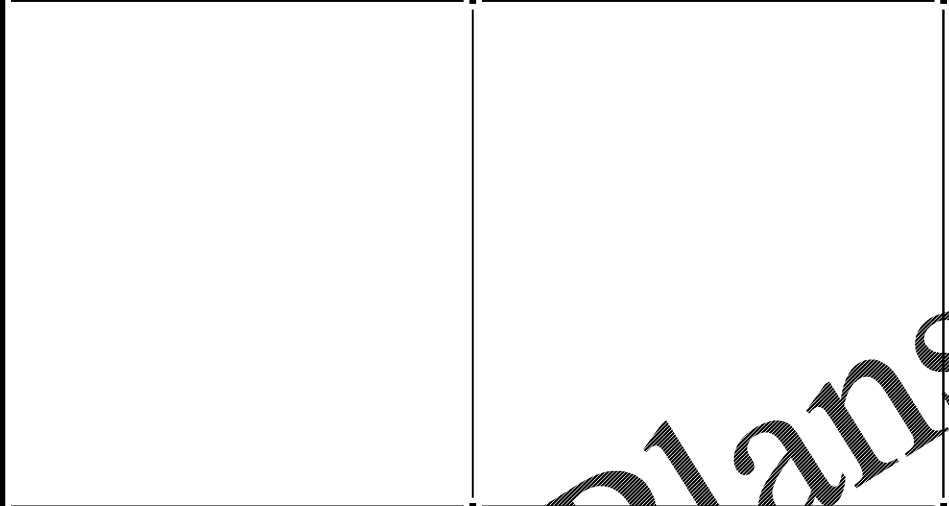
8 TYPICAL EQUIPMENT WITH HURRICANE TIE DOWN DETAIL (NOA APPROVED) NTS



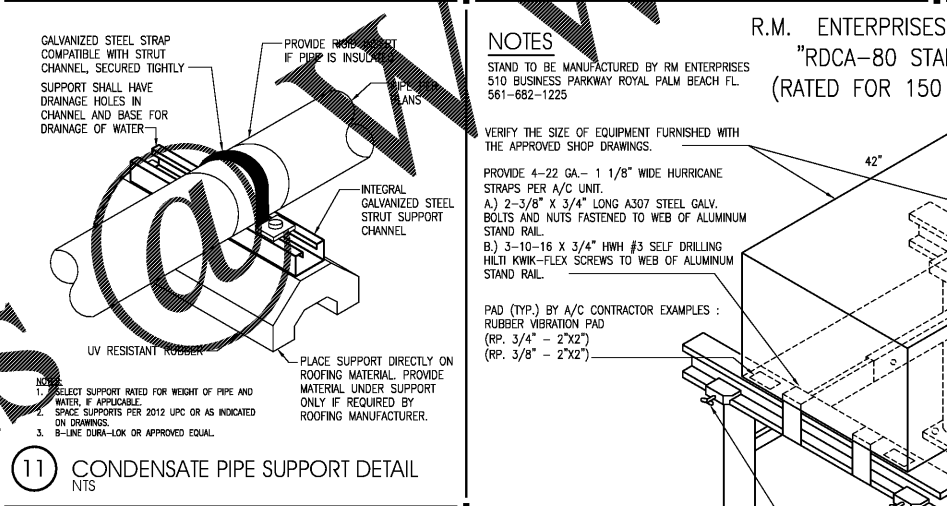
9 SIDEWALL SUPPLY REGISTER DETAIL NTS



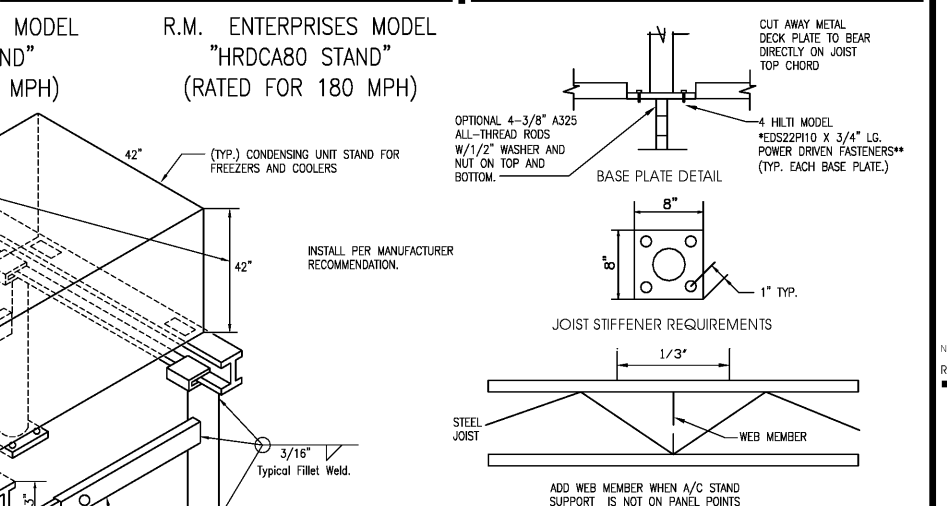
10 RECTANGULAR BRANCH CONNECT NTS



11 CONDENSATE PIPE SUPPORT DETAIL NTS



12 REFRIGERATION SYSTEM FRAMING SUPPORT NTS



13 TYPICAL MOUNTING CONNECTION TO STEEL JOIST DETAIL NTS

**Order Plans @ WWW.LDPLANS.COM**

**NOTES**

STAND TO BE MANUFACTURED BY RM ENTERPRISES  
 510 BUSINESS PARKWAY ROYAL PALM BEACH FL  
 561-662-1225

VERIFY THE SIZE OF EQUIPMENT FURNISHED WITH THE APPROVED SHOP DRAWINGS.

PROVIDE 4-22 GA. - 1 1/8" WIDE HURRICANE STRAPS PER A/C UNIT.

A.) 2-3/8" x 3/4" LONG A307 STEEL GALV. BOLTS AND NUTS FASTENED TO WEB OF ALUMINUM STAND RAIL.

B.) 3-10-16 x 3/4" HWH #3 SELF DRILLING HILTI KWIK-FLEX SCREWS TO WEB OF ALUMINUM STAND RAIL.

PAD (TYP.) BY A/C CONTRACTOR EXAMPLES:  
 RUBBER VIBRATION PAD (RP. 3/4" - 2"x2")  
 (RP. 3/8" - 2"x2")

FOR MODEL HRDCA80, (4) 2x4x1/8" RM CLIP ATTACHED TO THE UNIT AND BEAM WITH 3-1/4"-20 GALV. KWIK FLEX SELF DRILLING SCREWS TO THE UNIT AND (2) SCREWS TO THE STAND. PROVIDE 2" BY 18 GA. STEEL STRAP. STRAP SHALL PASS OVER UNIT TO I-BEAM ON OPPOSITE SIDE. MIN (4) PRE UNIT AND SHALL BE FULLY STRETCHED. PROVIDE (4) #12 SWS AT EACH STRAP END TO UNDERSIDE OF I-BEAM. FOLLOW MANUFACTURERS INSTALLATION INSTRUCTIONS.

**NOTES:**

1. ALL CONSTRUCTION TO MEET ALUMINUM ASSOCIATION SPECS.

2. VIBRATION INSULATOR PADS SHALL BE PROVIDED BY THE A/C CONTRACTOR SO AS NOT TO CAUSE VIBRATION TO EXISTING SUB-STRUCTURE.

1. WHERE MANUFACTURER'S INSTALLATION INSTRUCTIONS EXCEED THE REQUIREMENTS OF THIS DETAIL, THEY SHALL BE FOLLOWED.

1. FRAME WITH STANDS WIND PRESSURE AS PER F.B.C. 2014 EDITION, ASCE 7-98 (180 MPH), DADE CITY PRODUCT APPROVAL EXPOSURE C ZONE.

2. MAXIMUM HEIGHT ABOVE GROUND OF FRAME SHALL NOT EXCEED 200' FEET.

3. IT IS THE RESPONSIBILITY OF THE CONTRACTOR TO PROVIDE ADEQUATE ANCHORAGE AS SHOWN ON THIS PLAN. BASE PLATE ASSEMBLY SHALL BE ENCASED WITHIN ROOFING MATERIAL.

4. 6061-T6 ALLOY IS AN EXTERIOR EXPOSURE ALUMINUM.

5. A/C CONTRACTOR SHALL PROVIDE CORROSION RESISTANT ISOLATION PADS AT BOTTOM OF BASE PLATES WHEN BEARING ON CONCRETE AND STEEL STRUCTURES.

6. FRAME SHALL BE ALUMINUM ALLOY 6061-T6.

7. YIELD STRENGTHS SHALL BE 35 KSI AND CONFORM TO THE AMERICAN ALUMINUM ASSOCIATION STANDARDS.

8. WELD FILLER SHALL BE ALUMINUM ALLOY 5556 WITH TENSILE STRENGTH OF 35 KSI.

9. CONNECTION CONDITIONS THAT DIFFER FROM THOSE ABOVE SHALL BE DESIGNED BY THE ENGINEER OF RECORD. FASTENERS USED OTHER THAN SHOWN, SUBJECT TO APPROVAL BY ENGINEER OF RECORD. \*\*\* OR EQUIVALENT.

SEAL:

NO DATE REMARKS  
 REVISIONS



BID SET  
 JANUARY 8, 2018  
**7-ELEVEN  
 STORE #32810**  
 5544 RONALD REAGAN PARKWAY  
 DAVENPORT, FL  
 33896

PROJECT NO: 2016.0305  
 DATE: MAY 31, 2017

**M3.0**  
 MECHANICAL DETAILS

CHECKED: AS DRAWN: MM

INTERPLAN, LLC RESERVE COPYRIGHT & OTHER RIGHTS RESTRICTING THESE DOCUMENTS TO THE ORIGINAL SITE OR PURPOSE FOR WHICH THEY WERE PREPARED. REPRODUCTIONS, CHANGES OR ASSIGNMENTS ARE PROHIBITED.