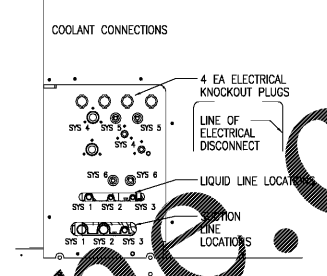


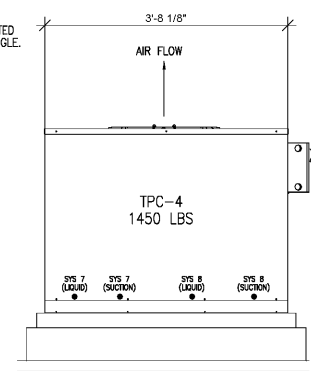
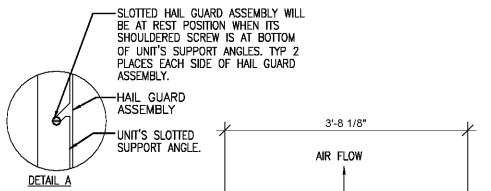
SEAL:

FOR
INFORMATION
ONLY

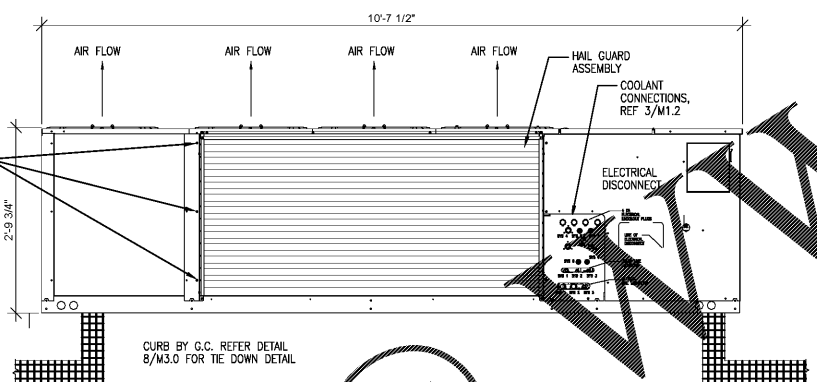


- SYS 1: VAULT COOLER CONNECTION - 1/2" LIQUID AND 1-3/8" SUCTION
- SYS 2: VAULT FREEZER CONNECTION - 3/8" LIQUID AND 5/8" SUCTION
- SYS 3: VAULT ICE MERCHANDISER CONNECTION - 3/8" LIQUID AND 1/2" SUCTION
- SYS 4: 1006 HR ICE MAKER CONNECTION - 1/2" LIQUID AND 1/2" DISCHARGE
- SYS 5: NOT USED
- SYS 6: NOT USED
- SYS 7: SLURPEE CONNECTION - 3/8" LIQUID AND 1/2" DISCHARGE
- SYS 8: SLURPEE CONNECTION - 3/8" LIQUID AND 5/8" DISCHARGE

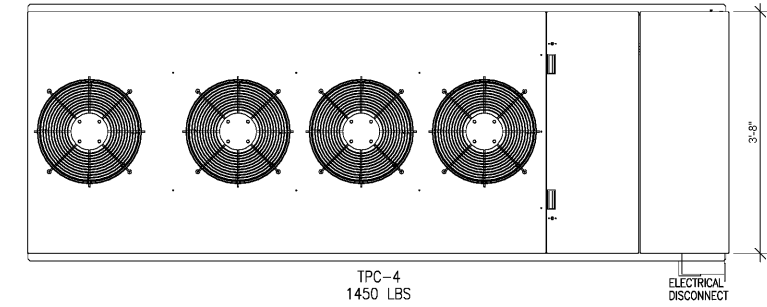
3 ENLARGED DETAIL
N.T.S.



SYS 7: SLURPEE CONNECTION - 3/8" LIQUID AND 1/2" DISCHARGE
SYS 8: SLURPEE CONNECTION - 3/8" LIQUID AND 5/8" DISCHARGE
REF 3/M1.2 FOR SYS 1-6 LOCATIONS
NOTE: INDICATED SIZES ABOVE ARE FINAL CONNECTION SIZES TO THE FLEXPACK UNIT.



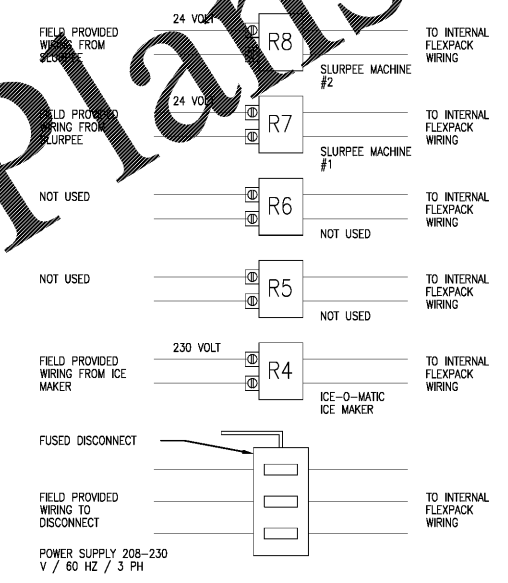
NOTE: FLEXPACK HAIL GUARD ASSEMBLY SHALL ONLY BE SPECIFIED IN #11 APPROVED HAIL GUARD STATES.



2 FLEXPACK AT CONNECTION SIDE
3/4" = 1'-0"

1 FLEXPACK PLAN VIEW
3/4" = 1'-0"

FLEXPACK AND REMOTE RELAY WIRING:



LINE CONNECTION LOCATION:

- SYS 1 IS WIC COOLER CONNECTION - (3) ADT130
- SYS 2 IS VAULT FREEZER - (1) BTL046B
- SYS 3 IS VAULT ICE MERCHANDISER - (1) LET047
- SYS 4 IS 1006 HR ICE MAKER
- SYS 5 IS NOT USED
- SYS 6 IS NOT USED
- SYS 7 IS SLURPEE MACHINE
- SYS 8 IS SLURPEE MACHINE

BOOT QUANTITY REQUIRED:

C-481 - 4 EACH (REFRIGERANT LINES AND ELECTRICAL LINES)

ELECTRICAL WIRING TO FLEXPACK:

FLEXPACK POWER: 3- #6, 1- #8G IN 1" EMT
ICE MAKER: 1PR- 220V IN 3/4" EMT
WIC, ICE MERC, LOW TEMP: 3PR- 24V WIRING IN 3/4" EMT
REF. SHEET E1.4 FOR LOW VOLTAGE AND CONTROL WIRING

FOR MORE INFORMATION CONTACT ANTHONY.HARRIS@HEATCRAFTRPO.COM OR (817) 233-6691

FLEX PACK UNIT / MODEL NUMBERS							
FLEXPACK MODEL #							
TPC-4							
1450 LBS							
SYSTEM 1 VAULT COOLER (3) ADT130 EVAP 1/2" LIQUID 7/8" SUCTION	SYSTEM 2 VAULT FREEZER (1) BTL046B EVAP 1/2" LIQUID 5/8" SUCTION	SYSTEM 3 VAULT ICE MERCHANDISER (1) LET047 EVAP 1/2" LIQUID 5/8" SUCTION	SYSTEM 4 1006 HR ICE MAKER 3/8" LIQUID 1/2" DISCHARGE	SYSTEM 5 NOT USED	SYSTEM 6 NOT USED	SYSTEM 7 SLURPEE MACHINE 3/8" LIQUID 1/2" DISCHARGE	SYSTEM 8 SLURPEE MACHINE 3/8" LIQUID 1/2" DISCHARGE

NOTE: INDICATED SIZES ABOVE ARE FINAL CONNECTION SIZES TO THE INTERIOR REFRIGERATION EQUIPMENT

REFRIGERATION MAX LINE LENGTH	
WALK-IN COOLER	<100'
LOW TEMP FREEZER	<100'
ICE MERCHANDISER	<100'
SLURPEE	<50' (100' LINE SET AVAILABLE, IF NEEDED)
POST MIX ICE	<75'
SANDWICH CASE (OPTION 1)	<45' (<15' VERT) (PREFERRED OPTION)
SANDWICH CASE (OPTION 2)	<65' (<15' VERT) W/ P-TRAP

NO DATE REMARKS
REVISIONS



BID SET
JANUARY 8, 2018

7-ELEVEN
STORE #32810

5544 RONALD REAGAN PARKWAY
DAVENPORT, FL
33896

PROJECT NO: 2016.0305
DATE: MAY 31, 2017

M1.2
FLEXPACK DETAILS

CHECKED: AS DRAWN: MM

Order Plans @

WWW.LDILINE.COM

COPYRIGHT © 2016 INTERPLAN, INC. ALL RIGHTS RESERVED. REPRODUCTION OF THESE DOCUMENTS TO THE ORIGINAL SET OR FOR ANY OTHER PURPOSE FOR WHICH THEY WERE PREPARED, REPRODUCTIONS, CHANGES OR ASSIGNMENTS ARE PROHIBITED.