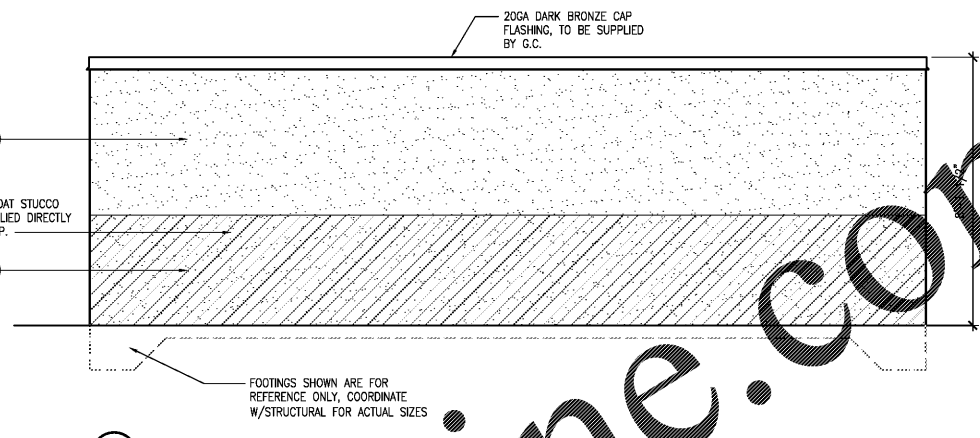
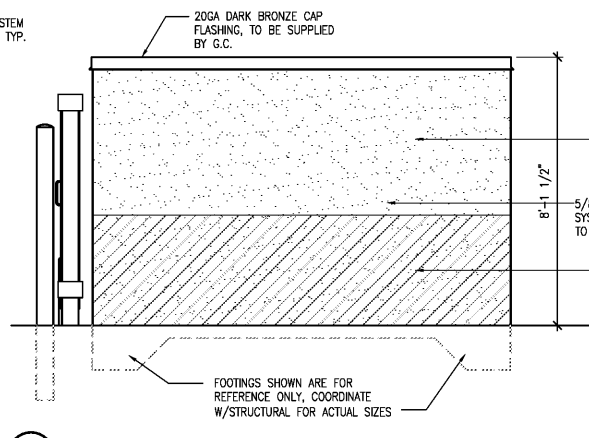
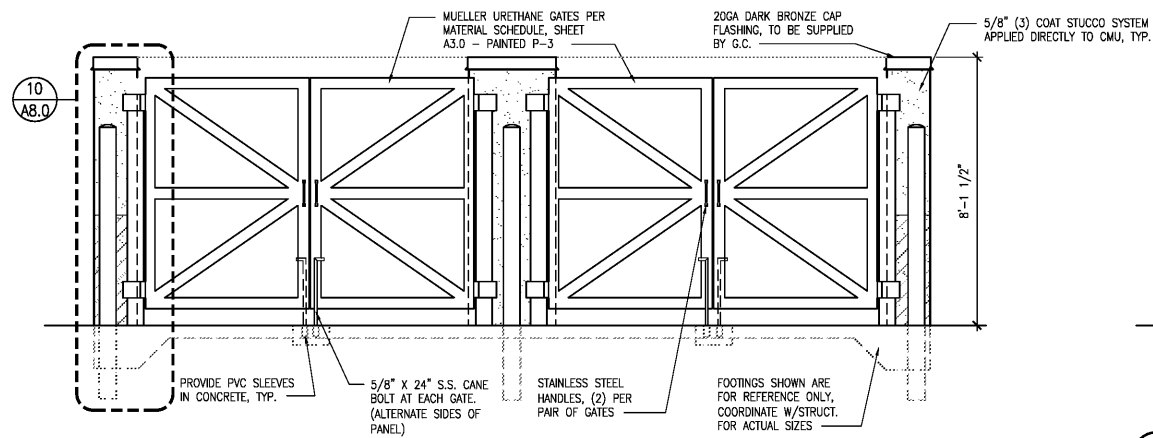


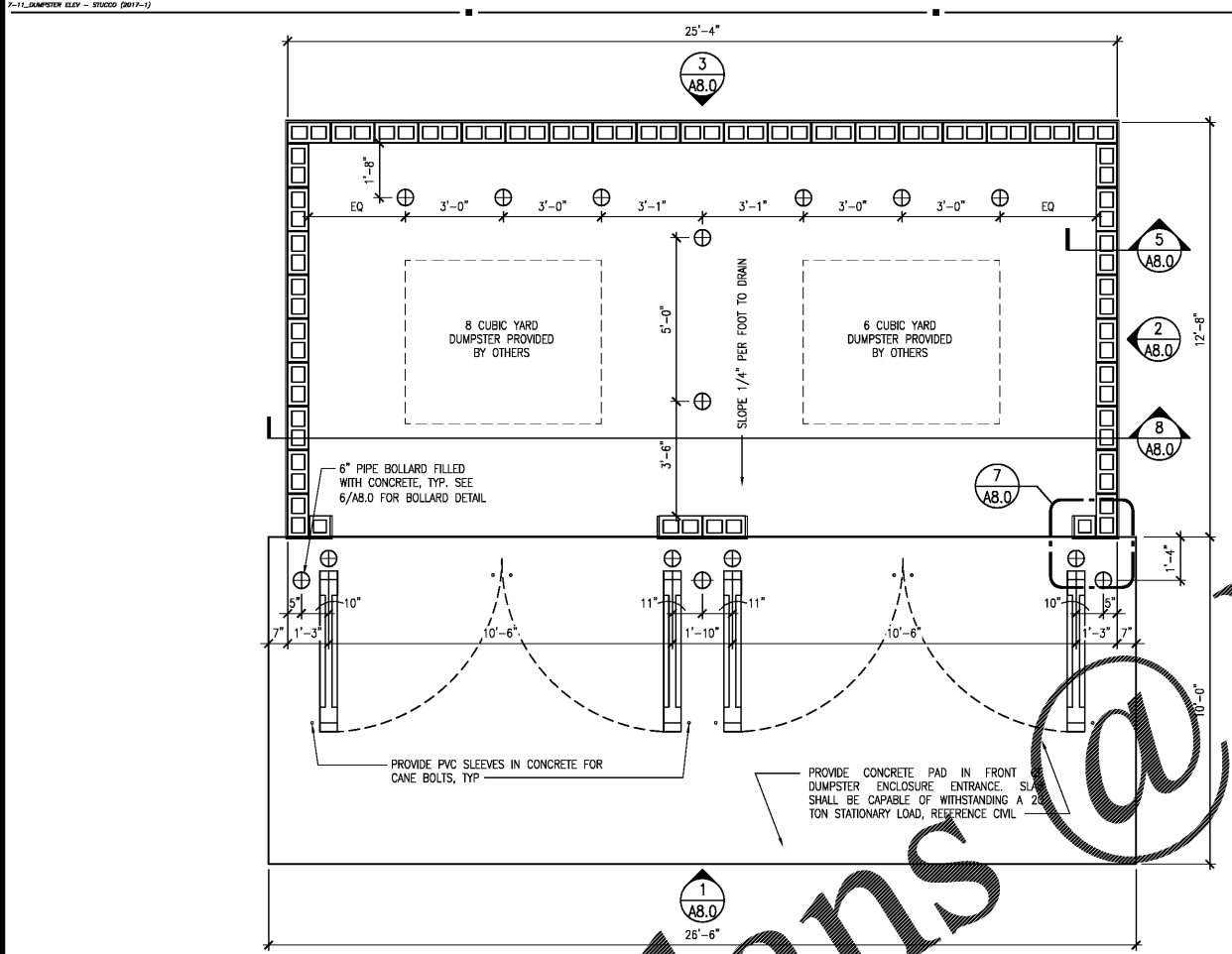
SEAL:



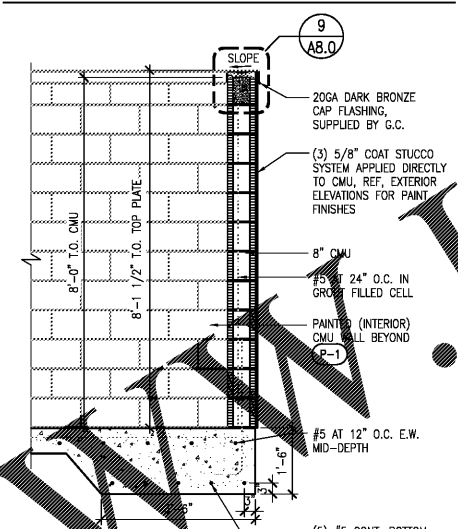
1 FRONT DUMPSTER ENCLOSURE ELEVATION 3/8" = 1'-0"

2 SIDE DUMPSTER ENCLOSURE ELEVATION 3/8" = 1'-0"

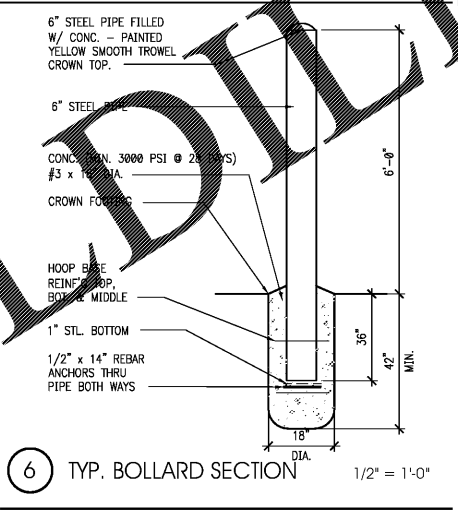
3 REAR DUMPSTER ENCLOSURE ELEVATION 3/8" = 1'-0"



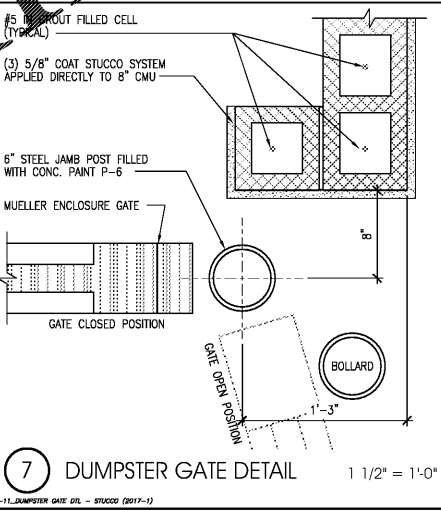
4 DUMPSTER ENCLOSURE PLAN 3/8" = 1'-0"



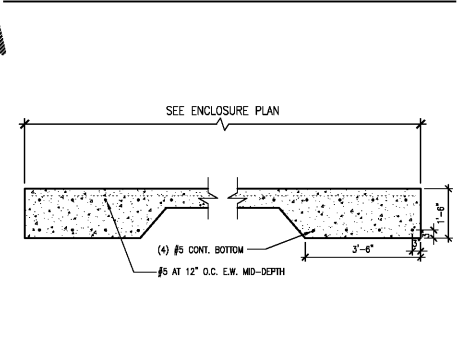
5 DUMPSTER ENCLOSURE WALL SECTION 1/2" = 1'-0"



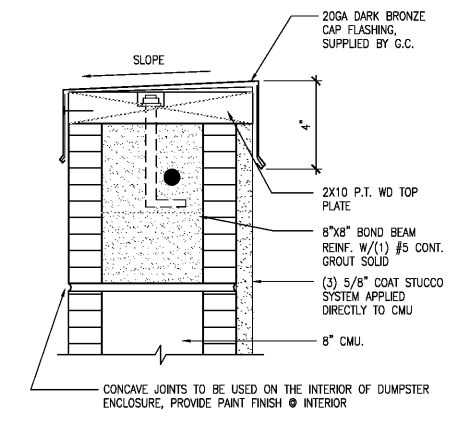
6 TYP. BOLLARD SECTION 1/2" = 1'-0"



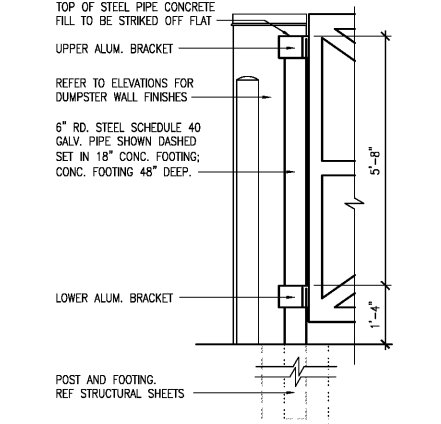
7 DUMPSTER GATE DETAIL 1 1/2" = 1'-0"



8 DUMPSTER ENCLOSURE SLAB SECTION 3/8" = 1'-0"



9 CAP FLASHING DETAIL 3" = 1'-0"



10 DUMPSTER GATE BOLLARD DETAIL 1/2" = 1'-0"

WWW.DIPLINE.COM

Order Plans

NO. DATE REMARKS  
REVISIONS



BID SET  
JANUARY 8, 2018  
7-ELEVEN  
STORE #32810  
5544 RONALD REAGAN PARKWAY  
DAVENPORT, FL  
33896

PROJECT NO: 2016.0305  
DATE: MAY 31, 2017

A8.0  
DUMPSTER ENCLOSURE  
PLAN, SECTIONS AND  
DETAILS  
CHECKED: RW DRAWN: JUM

INTERPLAN, INC. RESERVE COPYRIGHTS & OTHER RIGHTS RESTRICTING THESE DOCUMENTS TO THE ORIGINAL SITE OR PURPOSE FOR WHICH THEY WERE PREPARED. REPRODUCTIONS, CHANGES OR ASSIGNMENTS ARE PROHIBITED. COPYRIGHT © 2016