

- GENERAL NOTES**
1. REFERENCE ACCESSORY MOUNTING SCHEDULE FOR MOUNTING DIMENSIONS OF TOILET & ACCESSORIES.
 2. PROVIDE 2X FRT WOOD BLOCKING FOR ALL WALL MOUNTED PLUMBING FIXTURES, GRAB BARS, CABINETS, COUNTERS, TOILET ACCESSORIES, ETC.
 3. TOILET FIXTURE TO BE MOUNTED 18" FROM FINISHED WALL TO CENTERLINE OF TOILET FIXTURE.
 4. WATER CLOSET COMPARTMENT SHALL BE EQUIPPED WITH A DOOR THAT HAS AN AUTOMATIC-CLOSING DEVICE. THE DOOR IS REQUIRED TO HAVE A MINIMUM 9 INCH CLEARANCE FOR FOOTRESTS UNDERNEATH. THE INSIDE & OUTSIDE OF THE COMPARTMENT DOOR SHALL BE EQUIPPED WITH A LOOP OR U-SHAPED HANDLE IMMEDIATELY BELOW THE LATCH. THE LATCH SHALL BE FLIP-OVER STYLE, SLIDING OR OTHER HARDWARE NOT REQUIRING THE USER TO GRASP OR TWIST.
 5. CONTROLS FOR FLUSH VALVES SHALL BE MOUNTED ON THE WIDE SIDE OF TOILET STALLS NO MORE THAN 44" AFF.
 6. G.C. TO CAULK INSIDE CORNERS AND TOP OF TILE.
 7. RESTROOM FLOOR COVERING TO COMPLY WITH LOCAL CODES.
 8. HOT WATER & DRINK PIPES EXPOSED TO GRAB BARS SHALL BE INSULATED OR OTHERWISE PROTECTED SO AS TO PREVENT CONTACT. THERE SHALL BE NO SHARP OR ABRASIVE SURFACES UNDER SINKS.

SEAL:

1 05/21/17 PEER REVIEW COMMENTS
 NO. DATE REMARKS
 REVISIONS



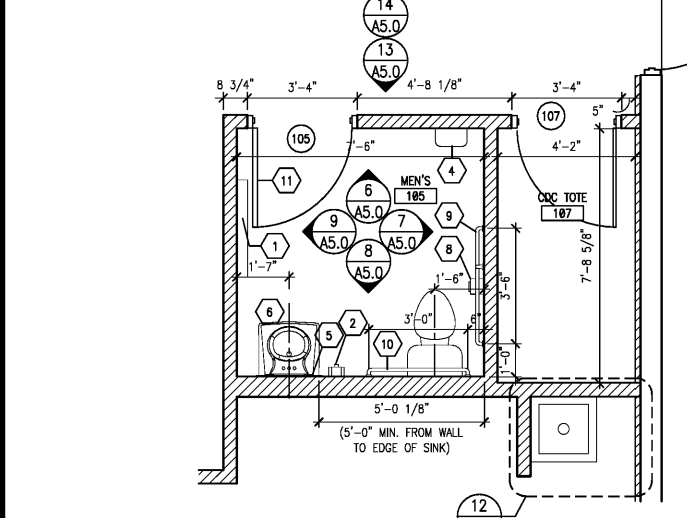
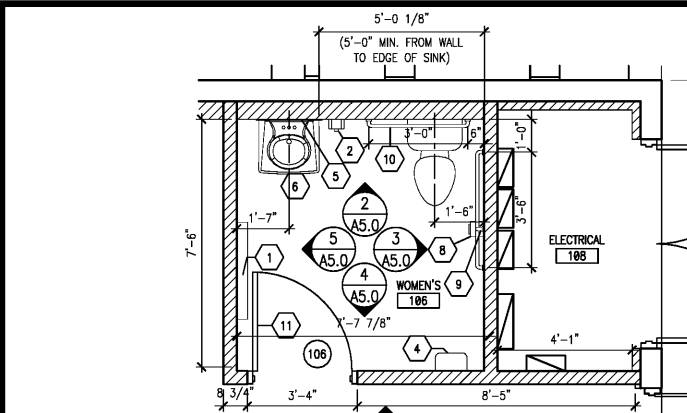
BID SET
 JANUARY 8, 2018

7-ELEVEN
STORE #32810

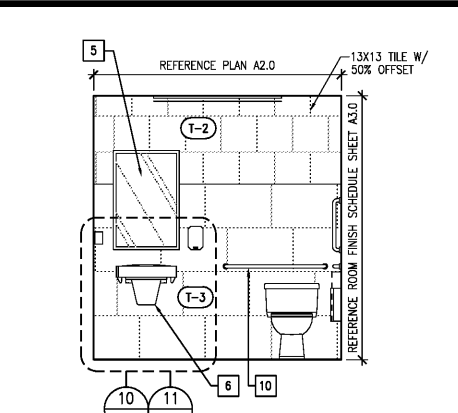
5544 RONALD REAGAN PARKWAY
 DAVENPORT, FL
 33896

PROJECT NO: 2016.0305
 DATE: MAY 31, 2017

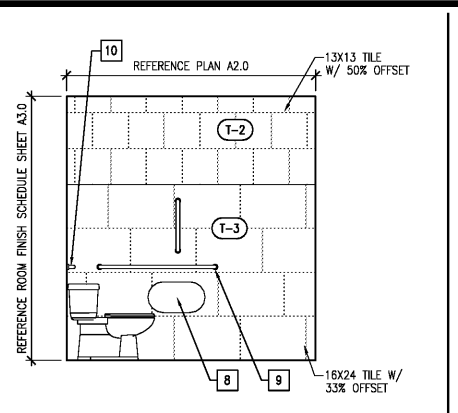
A5.0
 ENLARGED RESTROOM
 PLAN AND INTERIOR
 ELEVATIONS
 CHECKED: RW DRAWN: JUM



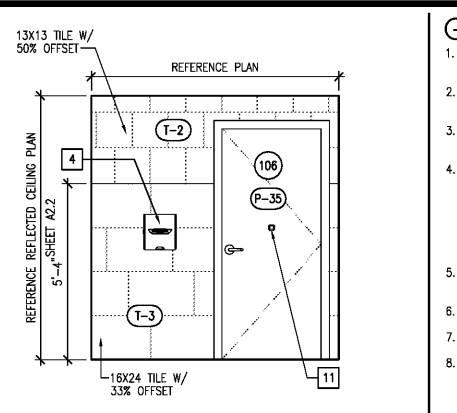
1 ENLARGED RESTROOM PLAN 1/2" = 1'-0"



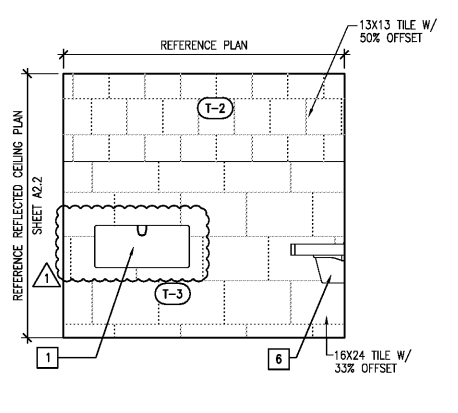
2 WOMENS RESTROOM ELEVATION 3/8" = 1'-0"



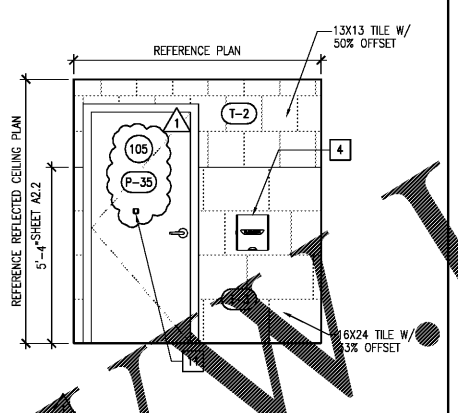
3 WOMENS RESTROOM ELEVATION 3/8" = 1'-0"



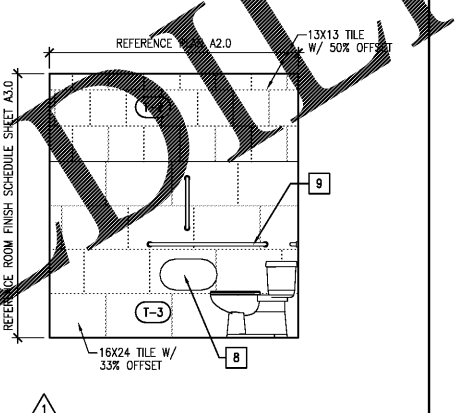
4 WOMENS RESTROOM ELEVATION 3/8" = 1'-0"



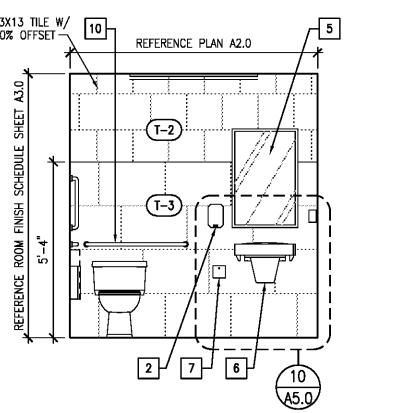
5 WOMENS RESTROOM ELEVATION 3/8" = 1'-0"



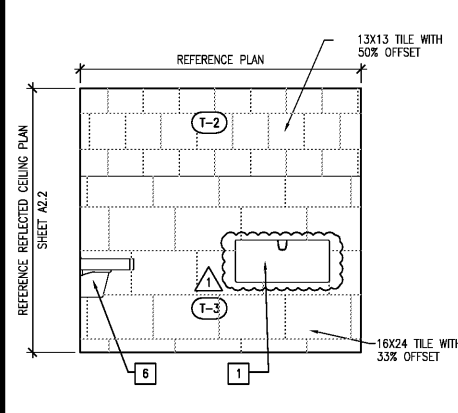
6 MENS RESTROOM ELEVATION 3/8" = 1'-0"



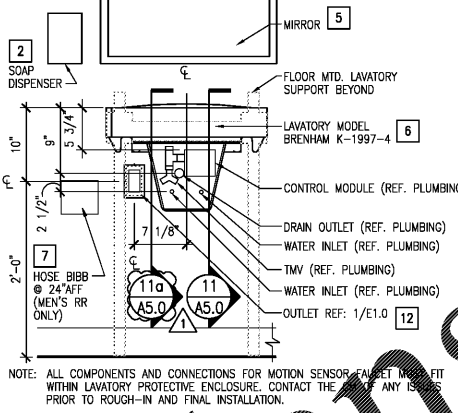
7 MENS RESTROOM ELEVATION 3/8" = 1'-0"



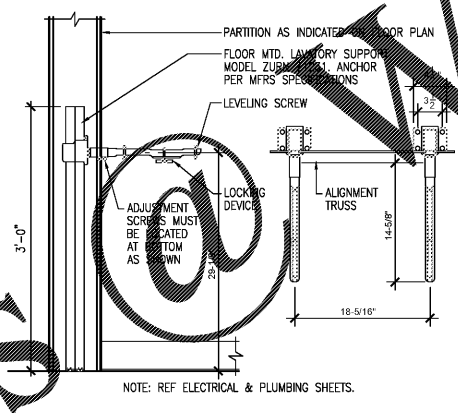
8 MENS RESTROOM ELEVATION 3/8" = 1'-0"



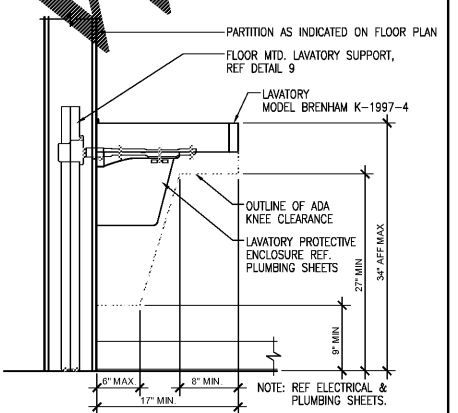
9 MENS RESTROOM ELEVATION 3/8" = 1'-0"



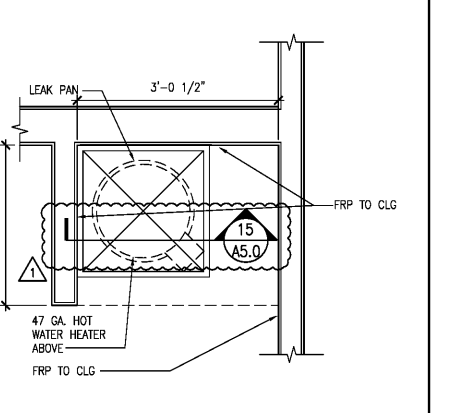
10 INT. ELEV. - LAVATORY 3/8" = 1'-0"



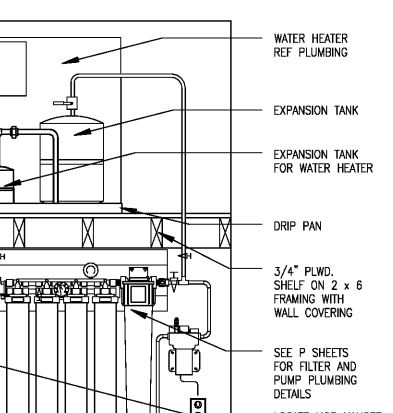
11 LAVATORY SADDLE DETAIL (TYP.) 1" = 1'-0"



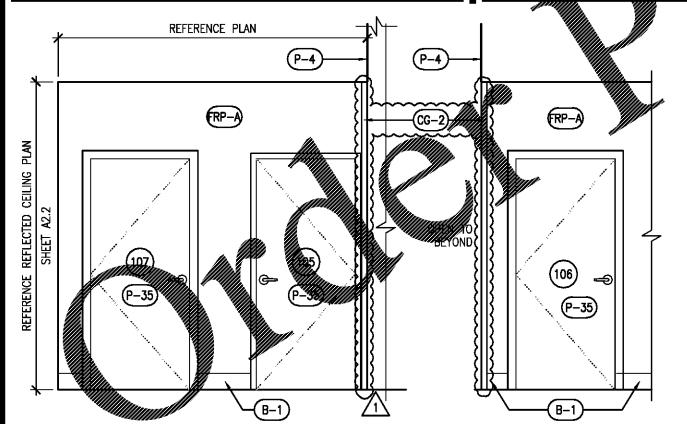
12 PLAN @ WATER HEATER 3/4" = 1'-0"



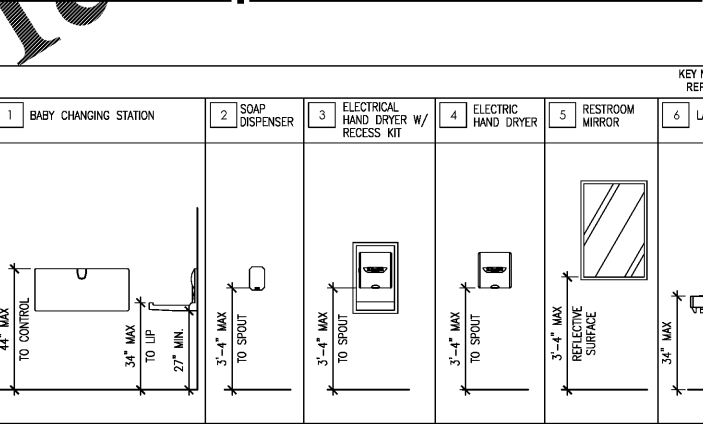
13 SECTION @ WATER HEATER 3/4" = 1'-0"



14 SECTION @ WATER HEATER 3/4" = 1'-0"



13 INTERIOR ELEVATION 3/8" = 1'-0"



14 INTERIOR ELEVATION 3/8" = 1'-0"

KEY NOTE DETAILS (NOT ALL ACCESSORIES MAY BE USED. REFER TO ENLARGED RESTROOM PLAN FOR LOCATION)

1	2	3	4	5	6	7	8	9	10	11	12
BABY CHANGING STATION	SOAP DISPENSER	ELECTRICAL HAND DRYER W/ RECESS KIT	ELECTRIC HAND DRYER	RESTROOM MIRROR	LAVATORY	HOSE BIBB MEN'S ROOM ONLY	TOILET PAPER DISPENSER	42" GRAB BAR / 18" VERTICAL GRAB BAR	36" GRAB BAR	COAT HOOK	OUTLET FOR FAUCET SENSOR

15 SECTION @ WATER HEATER 3/4" = 1'-0"

Order Plans

INTERNET/ILLUSTRATION/OTHER RIGHTS RESTRICTING THESE DOCUMENTS TO THE ORIGINAL SITE OR PURPOSE FOR WHICH THEY WERE PREPARED; REPRODUCTIONS, CHANGES OR ASSIGNMENTS ARE PROHIBITED.