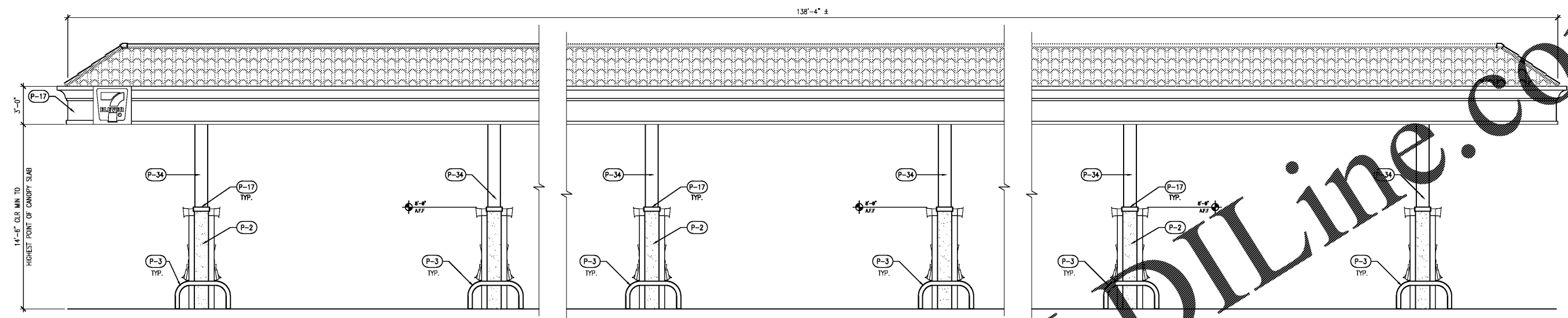


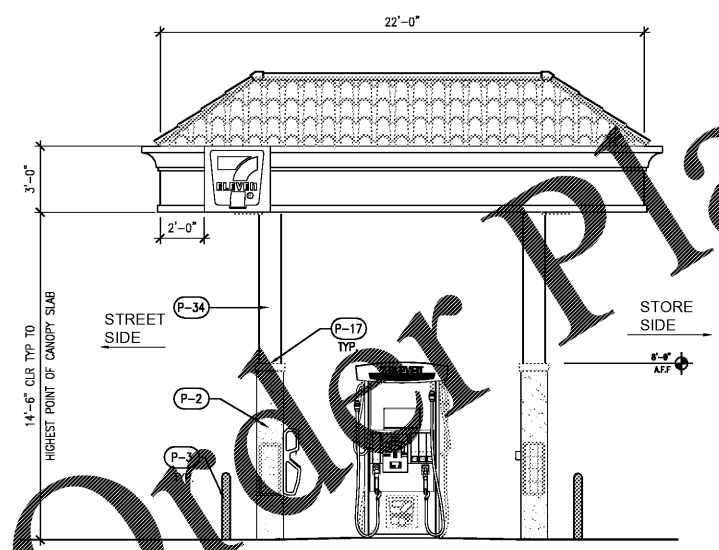
SIGNAGE IS UNDER SEPARATE PERMIT.
 VERIFY QUANTITY AND LOCATION OF
 SIGNAGE ALLOWED



① WEST ELEVATION AT CANOPY

1/4" = 1'-0"

SIGNAGE IS UNDER SEPARATE PERMIT.
 VERIFY QUANTITY AND LOCATION OF
 SIGNAGE ALLOWED



① SOUTH ELEVATION AT CANOPY

1/4" = 1'-0"

SEAL:

NO. DATE REMARKS
 REVISIONS



BID SET
 JANUARY 8, 2018

7-ELEVEN
STORE #32810
 5544 RONALD REAGAN PARKWAY
 DAVENPORT, FL
 33896

PROJECT NO: 2016.0305
 DATE: MAY 31, 2017

A4.2
 GAS CANOPY ELEVATIONS

CHECKED: RW DRAWN: JUM

COPYRIGHT © 2016 INTERPLAN, LLC. REVERSE COPYRIGHTS & OTHER RIGHTS RESTRICTING THESE DOCUMENTS TO THE ORIGINAL SITE OR PURPOSE FOR WHICH THEY WERE PREPARED, REPRODUCTIONS, CHANGES OR ASSIGNMENTS ARE PROHIBITED.