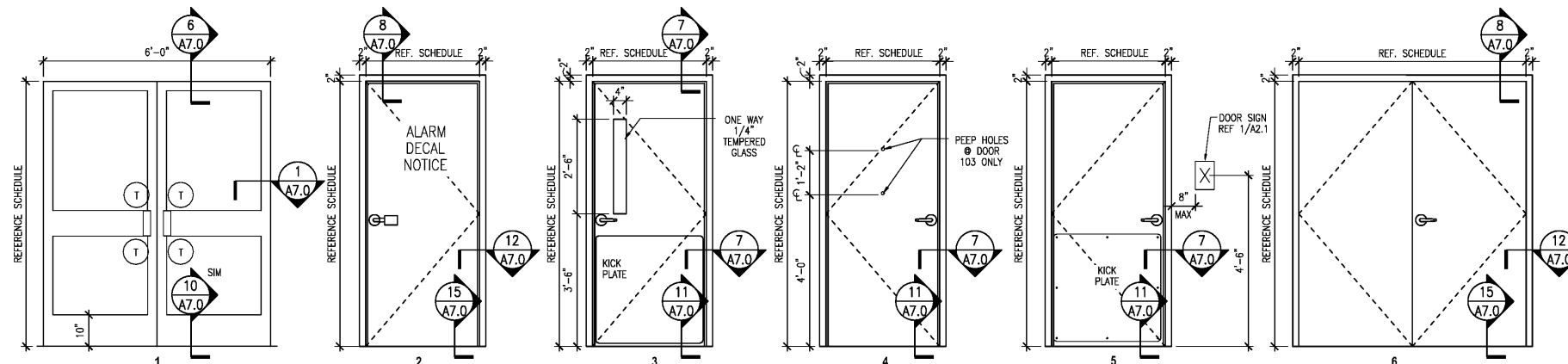
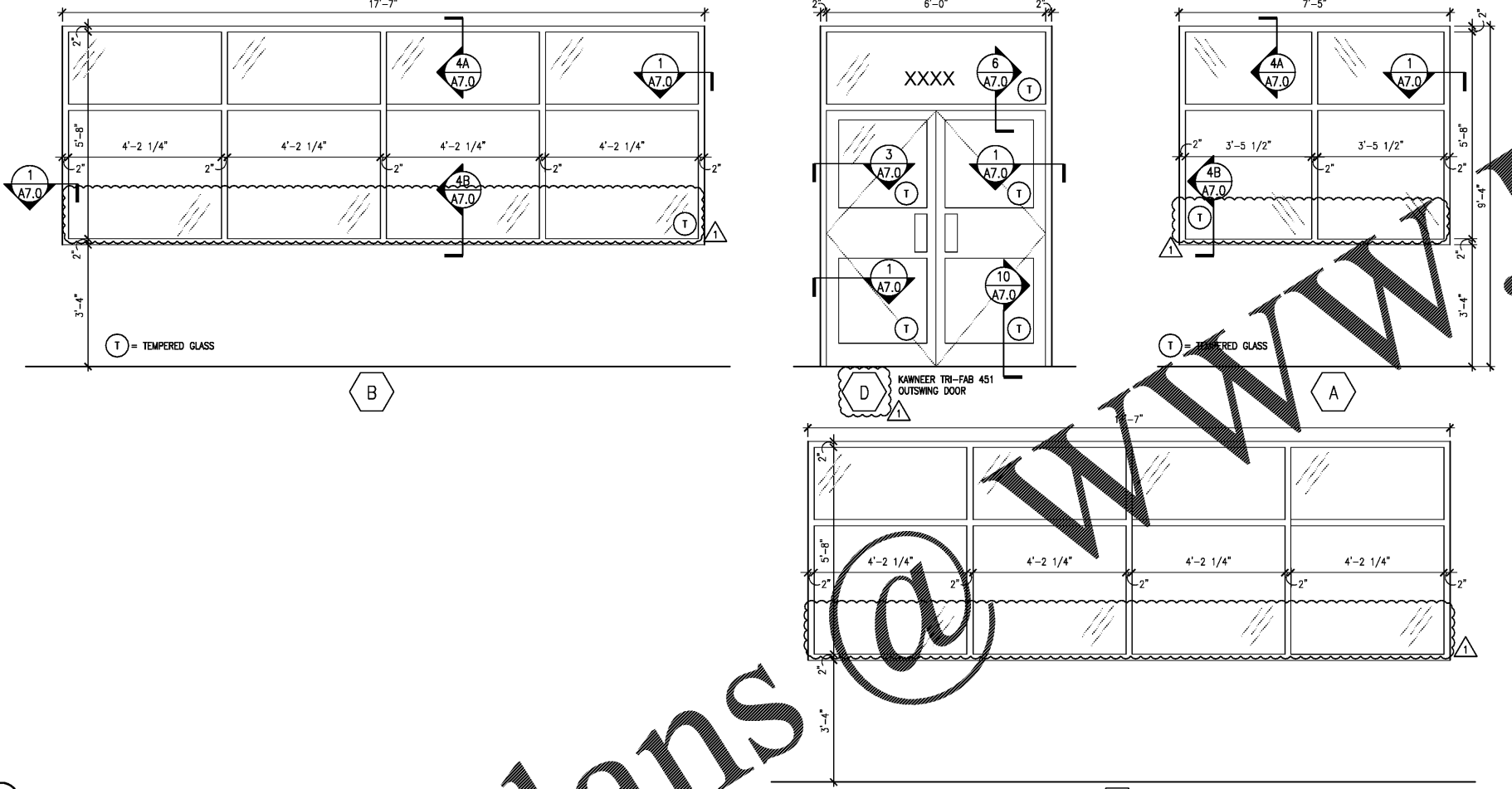


SEAL:



**1 DOOR FRAMES** 1/2" = 1'-0"  
NOTE: HOLLOW METAL DOOR PANEL TO BE 18 GA MIN.  
HOLLOW METAL FRAME TO BE 16 GA MIN.



**2 STOREFRONT ELEVATION DETAILS** 1/2" = 1'-0"

DOOR NUMBER	ROOM NAME	DOOR TYPE	HARDWARE SET	WIDTH	HEIGHT	DOOR THICKNESS				COMMENTS
						ALUMINUM & GLASS	HOLLOW METAL	ALUMINUM	METAL	
101A	MERCHANDISE	1	1	6'-0"	7'-0"	1 3/4"	X	X	X	TEMPERED GLASS LITES
101B	MERCHANDISE	2	2	3'-0"	7'-0"	1 3/4"	X	X	X	
103	OFFICE	4	4	3'-0"	7'-0"	1 3/4"	X	X	X	
104	BACK ROOM	3	3	3'-0"	7'-0"	1 3/4"	X	X	X	TEMPERED GLASS LITES
105	MEN	5	5	3'-0"	7'-0"	1 3/4"	X	X	X	
106	WOMEN	5	5	3'-0"	7'-0"	1 3/4"	X	X	X	
107	CDC TOTE	5	5	3'-0"	7'-0"	1 3/4"	X	X	X	
108	ELECTRICAL	6	7	6'-0"	7'-0"	1 3/4"	X	X	X	

NOTES:  
1. DOORS #101A AND #101B SHALL HAVE EXITING AT ALL TIMES W/O THE USE OF A KEY.  
2. REFERENCE DETAIL 41A.6.1 FOR INTERIOR NON-LOAD BEARING PARTITION HEADER SCHEDULE.  
3. ALL DOORS IN THE PATH OF EGRESS MUST BE OPENABLE WITH NOT MORE THAN ONE RELEASING OPERATION.  
4. COAT HOOKS PROVIDED BY 7-11 AND TO BE INSTALLED BY G.C.  
5. DO NOT INSTALL 3M FILM ON STOREFRONT DOOR IGLU.

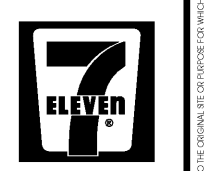
DOOR HARDWARE SCHEDULE		DOOR HARDWARE FINISHES AND INSTALLATION BY GC UNLESS NOTED OTHERWISE.	
PAIR	3'-0" X 7'-0"	KAWNEER CUSTOM DOORS	
HARDWARE SET NO. 1 (ENTRY DOOR)			
HARDWARE LISTED BELOW IS INCLUDED WITH KAWNEER STOREFRONT DOOR ORDER; SEE CONTACT INFORMATION BELOW.			
1-1/2 PAIR KAWNEER STANDARD FITTING HINGES (PER LEAF)			
ADAMS-RITE MS 1850A DEADLOCK WITH (2) 1-5/8" DIA. 4 DIAMETER SPIN CYLINDERS. (ACTIVE LEAF)			
ADAMS-RITE #4085 THREE-POINT LOCK WITH EXIT LEAF INDICATOR & SIGNAGE			
KAWNEER CO-311 HANDLE ACTING AS PUSH & PULL HARDWARE. 6020 FINISH			
NORTON 15000 S.E. WITH CHECK AND HOLD OPEN			
KAWNEER STANDARD 1/2" X 3" SILL WITH FINISH ALUMINUM THRESHOLD			
CONTACT: CHERYL WILKERSON, CHERYL.WILKERSON@ALGOA.COM 317.771.9263 P			
STOREFRONT CONTRACTOR SHALL CONTACT CHERYL WILKERSON AND REQUEST 7-ELEVEN NATIONAL PRICING.			
HARDWARE SET NO. 2 (REAR EXIT)			
1-1/2 PAIR	BUTTS	TA2714 4-1/2" X 4-1/2" NRP 26D	MCKINNEY
1 EA.	EXIT SERVICE	3M ETEX ALARM #ECL-230D	W/ PANIC HARDWARE
1 EA.	CLOSER	4031 HEAVY DUTY AL	UNIVERSAL HARDWARE
1 SET	WEATHER STRIP	319CR	PEMCO
1 EA.	RAIN STRIP	346-C-36" ALUM	PEMCO
1 EA.	DOOR BOTTOM	216-AV-36"	PEMCO
1 EA.	THRESHOLD	170-A-36"	PEMCO
HARDWARE SET NO. 3 (BACKROOM)			
1-1/2 PAIR	BUTTS	TA2714 4-1/2" X 4-1/2" NRP 26D	MCKINNEY
1 EA.	LOCK SET	4608L	YALE
1 EA.	CLOSER	4031 HEAVY DUTY AL	UNIVERSAL HARDWARE
1 EA.	KICK PLATE	34" X 30" 0.050	SATIN STAINLESS STEEL - PUSH SIDE ONLY
3 EA.	COAT HOOK	8425	ASI
HARDWARE SET NO. 4 (OFFICE)			
1-1/2 PAIR	BUTTS	TA2714 4-1/2" X 4-1/2" NRP 26D	MCKINNEY
1 EA.	LOCK SET W/ DEAD BOLT & THUMB LATCH	4608L W/D212	YALE
1 EA.	STOP	FS13 W/ R14 RISER 26D	IVES
2 EA.	DOOR VIEWER	U-10348	DEFENDER SECURITY
1 EA.	CLOSER	4031 HEAVY DUTY AL	UNIVERSAL HARDWARE
2 EA.	COAT HOOK	8425	ASI
HARDWARE SET NO. 5 (DOOR (RESTROOM))			
1-1/2 PAIR	BUTTS	TA2714 4-1/2" X 4-1/2" NRP 26D	MCKINNEY
1 EA.	PRIVACY SET	4602LN	YALE
1 EA.	CLOSER	4031 HEAVY DUTY AL	UNIVERSAL HARDWARE
1 EA.	STOP	FS13 W/ R14 RISER 26D	IVES
1 EA.	KICK PLATE	34" X 30" 0.050	SATIN STAINLESS STEEL - PUSH SIDE ONLY
1 EA.	COAT HOOK	8425	ASI
HARDWARE SET NO. 6 (CDC TOTE)			
1-1/2 PAIR	BUTTS	TA2714 4-1/2" X 4-1/2" NRP 26D	MCKINNEY
1 EA.	LOCK SET	4608L	YALE
1 EA.	CLOSER	4031 HEAVY DUTY AL	UNIVERSAL HARDWARE
1 EA.	KICK PLATE	34" X 30" 0.050	SATIN STAINLESS STEEL - PUSH SIDE ONLY
HARDWARE SET NO. 7 (ELECTRICAL)			
3 PAIR	BUTTS	TA2714 4-1/2" X 4-1/2" NRP 26D	MCKINNEY
1 EA.	LOCK GUARD	LGI 32D	IVES
1 EA.	LOCK SET	8245 LNU 26D	SARGENT
1 EA.	DRIP CAP	346-C-72" ALUM	PEMCO
1 EA.	JAMB & HEAD WEATHER STRIP	319CR	PEMCO
2 EA.	DOOR BOTTOM WEATHER STRIP	315CN	PEMCO
2 EA.	MEETING STILE GASKETS	303AS	PEMCO
2 EA.	DOOR SHOE	222 AV	PEMCO
1 EA.	THRESHOLD	170-A-72"	PEMCO
1 EA.	CHAIN STOP	HD	HD
2 EA.	MANUAL FLUSH BOLT	#555 US26D	ROCKWOOD
1 EA.	DUST PROOF STRIKE	#570 US26D	ROCKWOOD

STOREFRONT SCHEDULE		INSULATING GLASS UNIT								FRAME		ORIENTATION	COMMENTS	KAWNEER MODEL
TYPE		OUTDOOR LITE	INDOOR LITE	AIR SPACE	SHGC	U-FACTOR	VT	SURFACE 1 (EXTERIOR)	SURFACE 2	SURFACE 3	SURFACE 4 (INTERIOR)			
A	6MM	6MM	1/2"	.60	.70	.60	CLEAR	CLEAR	CLEAR	CLEAR	CLEAR 3M FILM	X	X	WEST
B	6MM	6MM	1/2"	.60	.70	.60	CLEAR	CLEAR	CLEAR	CLEAR	CLEAR 3M FILM	X	X	WEST
C	6MM	6MM	1/2"	.60	.70	.60	CLEAR	CLEAR	CLEAR	CLEAR	CLEAR 3M FILM	X	X	WEST
D	6MM	6MM	1/2"	.60	.70	.60	CLEAR	CLEAR	CLEAR	CLEAR	CLEAR 3M FILM	X	X	WEST

NOTE: REFERENCE MATERIAL SPECIFICATIONS FOR 3M FILM REQUIREMENTS.

Order Plans

1 05/21/17 PEER REVIEW COMMENTS  
NO. DATE REMARKS



BID SET  
JANUARY 8, 2018  
**7-ELEVEN**  
**STORE #32810**  
5544 RONALD REAGAN PARKWAY  
DAVENPORT, FL  
33896

PROJECT NO: 2017.0305  
DATE: MAY 31, 2017

**A3.1**  
STOREFRONTS, DOOR TYPES  
AND SCHEDULES

CHECKED: RW DRAWN: JUM