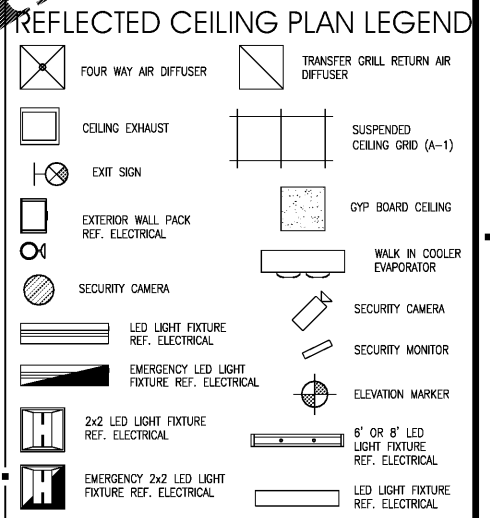


GENERAL NOTES

- A. FINISH CEILING HEIGHT SHALL BE AS NOTED.
- B. UNLESS OTHERWISE NOTED OR CODED, ALL FIXTURES SHOWN ARE NEW.
- C. THE CONTRACTOR SHALL CAREFULLY REVIEW ALL ATTACHMENT CONDITIONS FOR NEW FURRED OR SUSPENDED CEILING TO ASSUME PROPER CLEARANCES AND FITMENT.
- D. REFER TO E2.0 FOR ADDITIONAL INFORMATION ON LIGHTING.
- E. REFER TO ENGINEERING DRAWINGS FOR ALL LIFE SAFETY DEVICES.
- F. REFER TO ENGINEERING DRAWINGS FOR ALL CIRCUITING/SWITCHING AND ELECTRICAL RISER INFORMATION.
- G. ENGINEERING DRAWINGS SUPERCEDES THIS DRAWING.
- H. REFER TO ENGINEERING DRAWINGS FOR ALL LIGHTING SPECIFICATION.
- I. SEE HVAC PLAN TO COORDINATE CEILING DIFFUSERS, GRILLS AND FAN LOCATIONS (SHOWN ON THIS DRAWING FOR LOCATION ONLY).
- J. SYRUP LINE INSTALLATION - WHERE REQUIRED BY CODE OR AS INDICATED ON PLAN, CABLED BUNDLE SYRUP LINES SHALL BE INSTALLED IN PVC CONDUIT (METAL CONDUIT FOR FIRE RATED WALLS) WITH 45° SWEEPS AND "TEE" CONNECTIONS. CONDUIT SHALL BE FURRED TO WALL AND FINISH TO FINISH OF ROOF CONSTRUCTION W/ PIPE STRIPS AS NOTED. REFERENCE MANUFACTURER SPECIFICATIONS FOR MINIMUM ALLOWED BENDING RADIUS OF LINES.
- K. ALL WALL PANELS ABOVE 9'-0" IN THE MERCHANDISE/SALES AREA SHALL BE P-4 UNLESS NOTED OTHERWISE ON THE REFLECTED CEILING PLAN. REFERENCE SHEET A3.0 FOR MATERIAL SCHEDULES.
- L. VERIFY NUMBER OF SYRUP LINES TO NUMBER OF SYRUP AND POST MIX MACHINES.
- M. PROVIDE ACCESS PANEL WHEN EQUIPMENT IS PRESENT ABOVE COOLER VAULT.

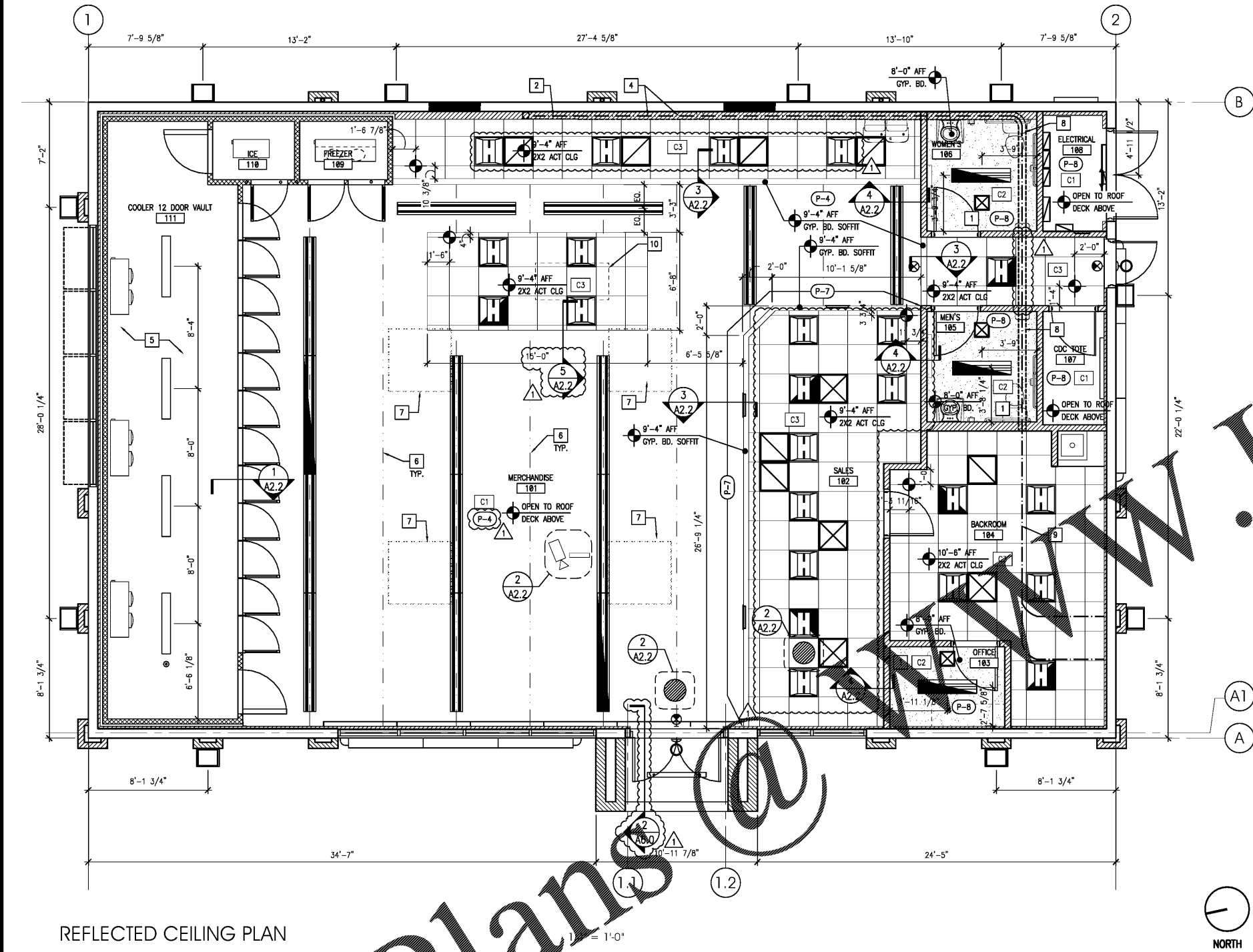


- KEY NOTES**
1. G.C. TO PAINT GYP. BD. CEILING. REFER TO DETAIL 4 ON THIS SHEET.
 2. SYRUP LINES TO POSTMIX INSTALL IN PVC CONDUIT TO WALL POCKET BELOW AND SEAL AS REQUIRED.
 3. MAPS - NOT USED
 4. SYRUP LINES TO SLURRY DISPENSERS. INSTALL IN PVC CONDUIT TO WALL POCKET BELOW AND SEAL AS REQ'D.
 5. PREMANUFACTURED INSULATED COOLER VAULT CEILING. BUILDING CEILING ABOVE IS UNFINISHED EXPOSED STRUCTURE.
 6. BAR JOIST ABOVE. REFER TO STRUCTURAL DRAWINGS FOR SIZE AND SPACING. LIGHT FIXTURES TO BE HUNG FROM BAR JOIST AND SPACED ACCORDINGLY.
 7. PRISMATIC SKYLIGHT; SEE A2.3 FOR DIMENSIONED LOCATION, SEE EF-1 FOR ADDITIONAL INFORMATION.
 8. 6" DIA. PVC CONDUIT ABOVE CEILINGS FOR SYRUP LINES - ROUTE (2) BUNDLES OF 14 SYRUP LINES PER 6" PVC CONDUIT AS REQUIRED - SEAL TO WALL FINISH AT PENETRATIONS AND APPLY SPRAY FOAM ON INTERIOR OF CONDUIT AT ENDS TO SEAL AROUND SYRUP LINES (TYP THROUGH WALL).
 9. SYRUP LINE 974 SERIES (974R AT FIRE RATED WALLS) ATTACHED TO BOTTOM OF DECK WITH 3/4" WIDE, 16 GAUGE, GALVANIZED PIPE STRIPS AT 4' O.C. MAX
 10. HANGING COFFEE SIGN; CENTER CEILING OVER COFFEE BAR

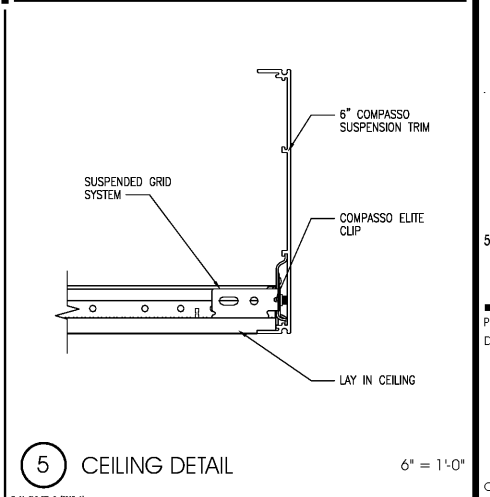
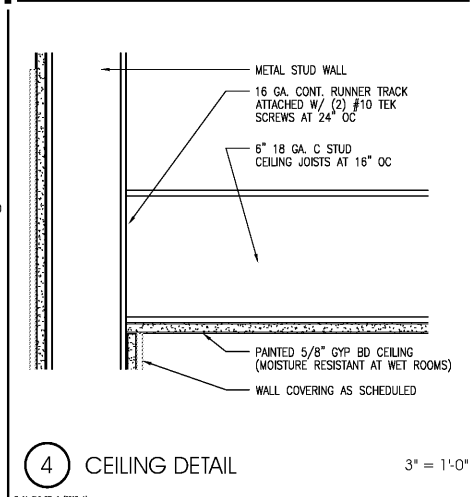
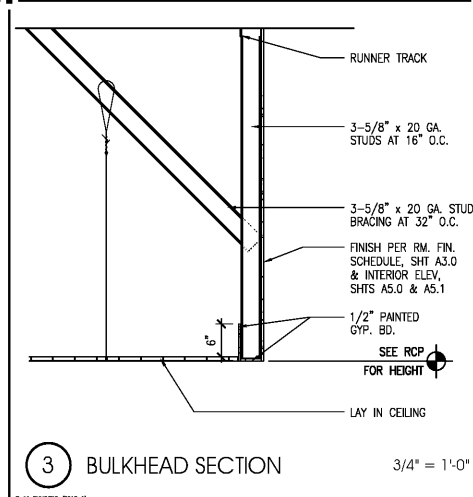
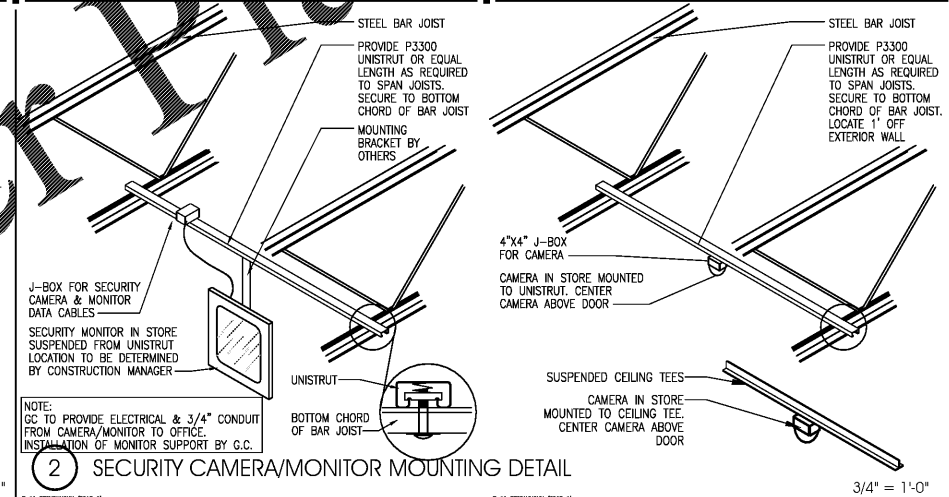
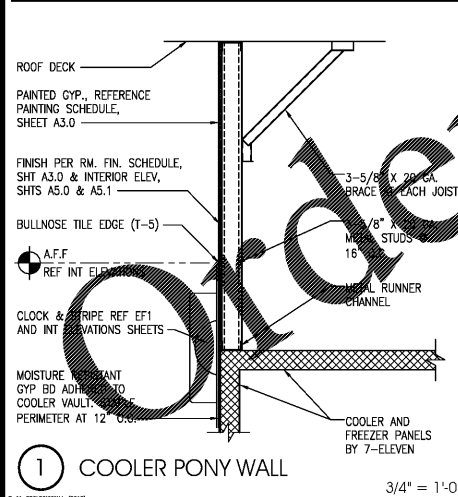
CEILING SCHEDULE

| TYPE | DESCRIPTION |
|------|--------------------------------------|
| C1 | OPEN TO STRUCTURE |
| C2 | GYP BD CEILING |
| C3 | (A-1) LAY IN ACOUSTICAL CEILING TILE |

NOTE:
 REFERENCE ELECTRICAL FOR LIGHTING PLAN
 REFERENCE MECHANICAL FOR HVAC LAYOUT



REFLECTED CEILING PLAN



1 05/21/17 PEER REVIEW COMMENTS
 NO. DATE REMARKS



BID SET
 JANUARY 8, 2018
7-ELEVEN
STORE #32810
 5544 RONALD REAGAN PARKWAY
 DAVENPORT, FL
 33896

PROJECT NO: 2016.0305
 DATE: MAY 31, 2017

A2.2
 REFLECTED CEILING PLAN

CHECKED: RW DRAWN: JUM