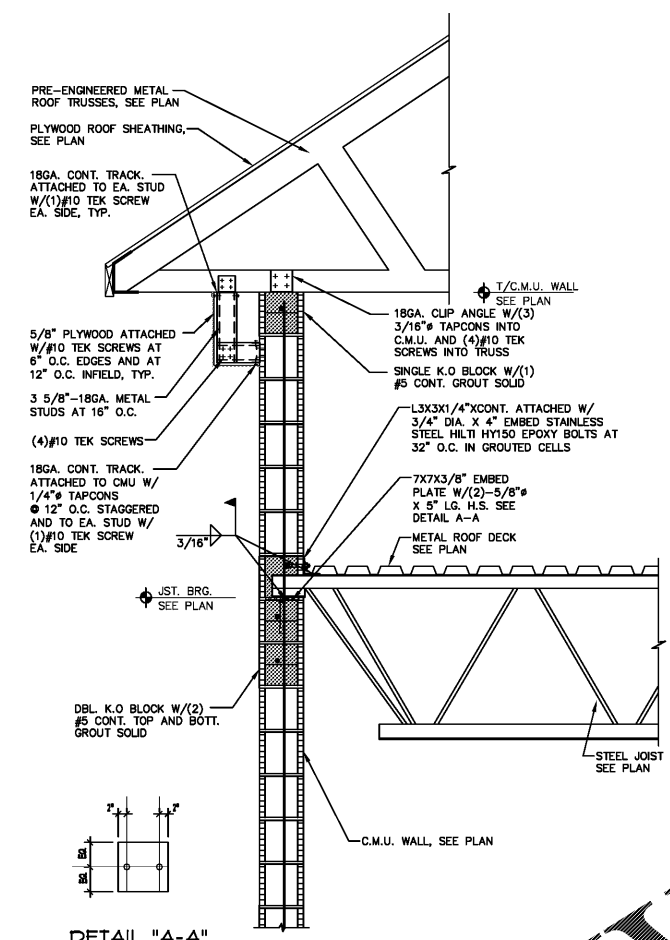
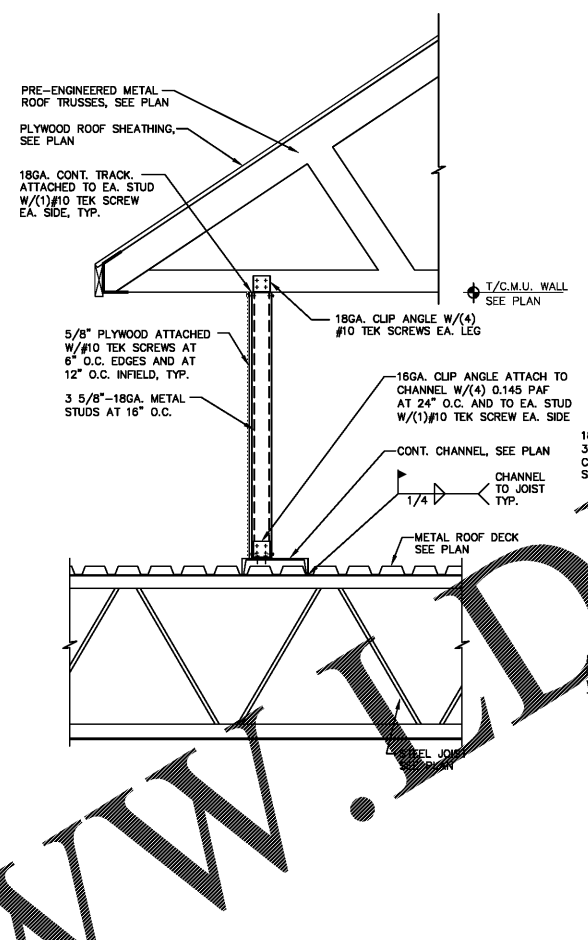


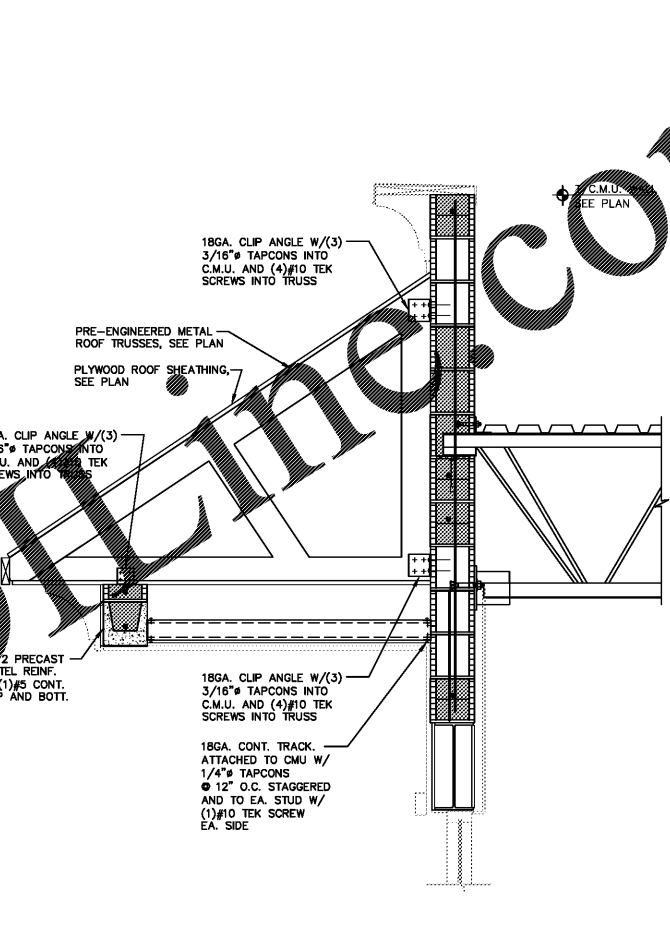
SECTION 1
3/4\"=1'-0\" S4.2



SECTION 2
3/4\"=1'-0\" S4.2

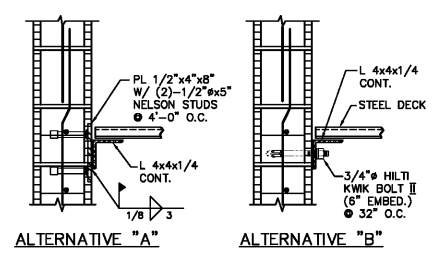


SECTION 3
3/4\"=1'-0\" S4.2

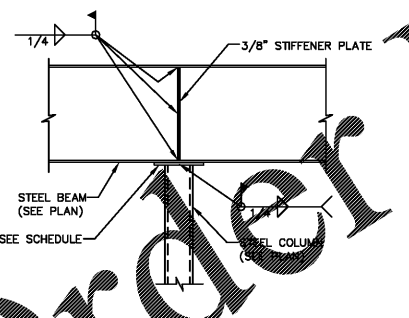


SECTION 4
3/4\"=1'-0\" S4.2

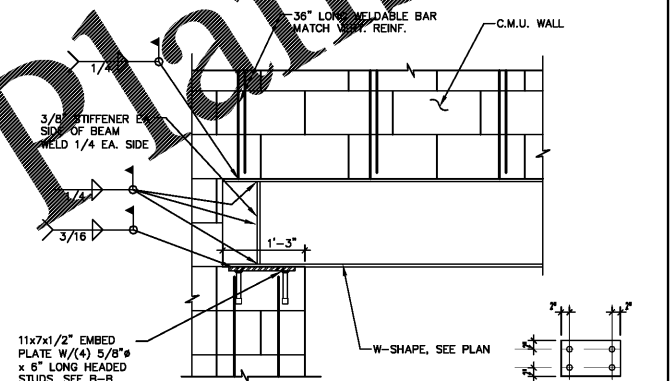
NOTE: SEE 4/S4.1 FOR INFORMATION NOT SHOWN



DECK SUPPORT ANGLE ANCHORAGE
CONTRACTOR'S OPTION
N.T.S.

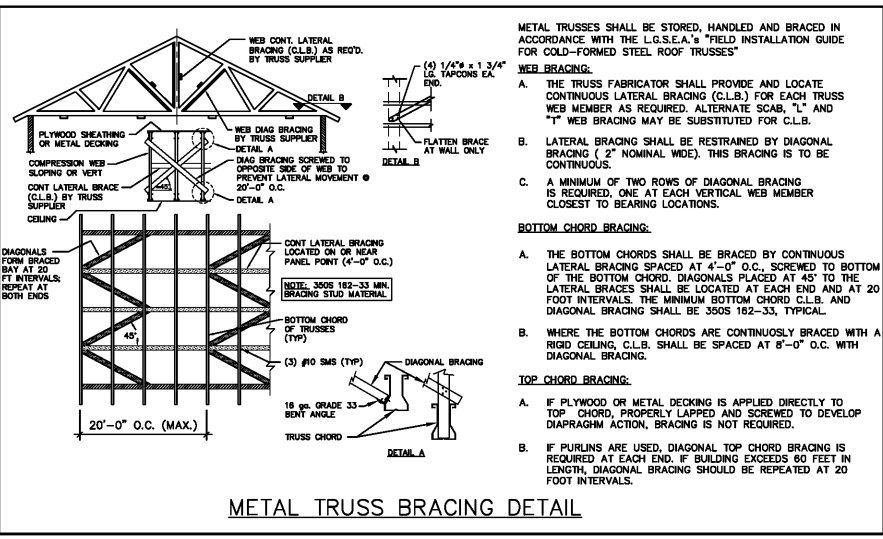


SECTION 5
3/4\"=1'-0\" S4.2



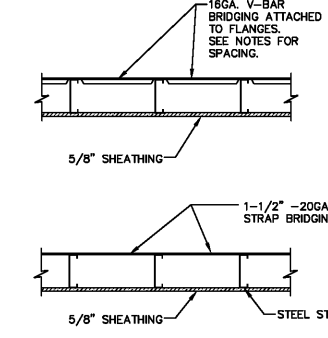
DETAIL 6
3/4\"=1'-0\" S4.2

DETAIL B-B



METAL TRUSS BRACING DETAIL

LATERAL BRACING (HORIZONTAL BRIDGING) FOR WALLS:
NOTE: IF NON-LOAD BRG WALLS (PARTITION WALLS) HAVE SHEATHING ON BOTH SIDES LATERAL BRACING IS NOT REQUIRED.
ENSURE BOTH STUD FLANGES ARE ATTACHED TO TOP AND BOTTOM RUNNER FLANGES. HORIZONTAL BRIDGING MUST BE INSTALLED AT SPACING NOT TO EXCEED 48\"/>



HORIZONTAL BRIDGING OPTION #1

HORIZONTAL BRIDGING OPTION #2

1-1/2\"/>

NO. DATE REVISIONS



BID SET
JANUARY 8, 2018

7-ELEVEN
STORE #

5544 RONALD REAGAN PARKWAY
DAVENPORT, FL
33896

PROJECT NO: 2016.0305
DATE: 5-31-2017

S4.2
STRUCTURAL SECTIONS

CHECKED: BM DRAWN: RED

Order Plans @

WWW.IDLINE.COM

INTERPLAN, INC. RESERVE COPYRIGHT AND OTHER RIGHTS RESTRICTING THESE DOCUMENTS TO THE ORIGINAL SET OR PORTION FOR WHICH THEY WERE PREPARED. REPRODUCTIONS, CHANGES OR ASSIGNMENTS ARE PROHIBITED. COPYRIGHT © 2016