

DESIGN LOAD SCHEDULE
(ALL LOADS SHOWN ARE IN POUNDS PER SQ. FT.)

COMPONENT	AREA	
	ROOF	HIGH ROOF
SYSTEM	25	20
TILES		15
TOTAL DEAD LOAD	25	35
TOTAL LIVE LOAD	20	20
TOTAL LOAD	45	55

MASONRY WALL SCHEDULE

MARK	THICKNESS	REINFORCING
MW-1	8" CMU	#6 @ 48" O.C.
MW-2	8" CMU	#6 @ 8" O.C.

- MASONRY WALL NOTES:**
- WALL SEGMENTS SHALL BE REINFORCED WITH 9 GA. GALVANIZED LATERAL REINFORCING @ 16" O.C. HORIZ. EXTEND REINFORCING 6" INTO POURED ELEMENTS AND AROUND ENCASED STEEL.
 - ADJACENT TO ANY EXTERIOR/INTERIOR WALL OPENING, PLACE 1 #6 VERTICAL IN CELL GROUTED SOLID, FULL HEIGHT.
 - ALL MASONRY REINFORCED CELLS SHALL BE FILLED WITH 3000 PSI GROUT MIX.

FOOTING SCHEDULE

MARK	SIZE	REINFORCING
F24.12	2'-0" x 12" x CONT.	(2) #5 CONT. BOTTOM
F70140	7'-0" x 14'-0" x 16"	(8) #5 L.W./ (16) #5 S.W. BOTTOM

ROOF WIND PRESSURE (PSF)
COMPONENTS AND CLADDING-EXP. C-108 MPH(ASD) WIND SPEED

EFFECTIVE WIND AREA (SQ. FT.)	ROOF AREA		
	1	2	3
10	+12.9/-28.1	+12.9/-47.1	+12.9/-71.0
20	+12.9/-27.3	+12.9/-42.1	+12.9/-58.7
50	+12.9/-26.4	+12.9/-35.5	+12.9/-42.7
100	+12.9/-25.7	+12.9/-30.4	+12.9/-30.4

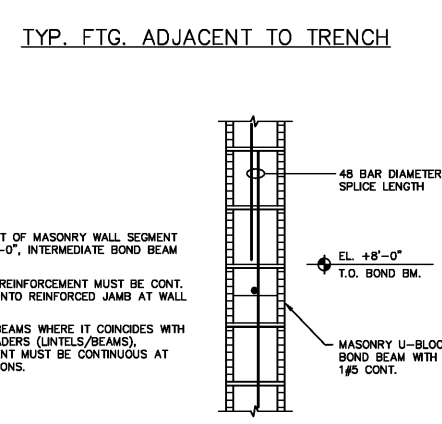
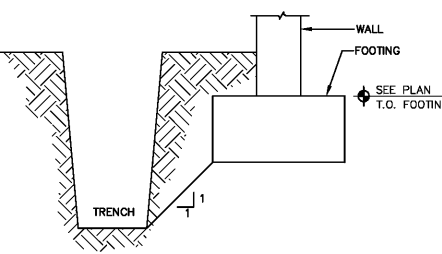
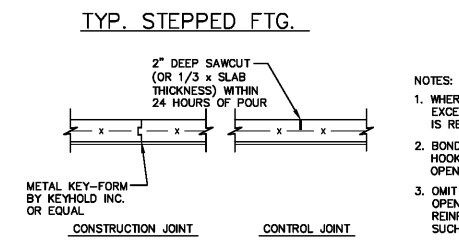
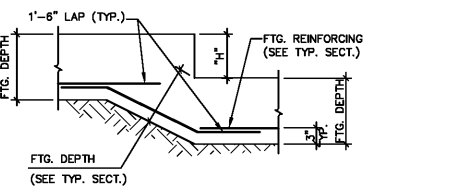
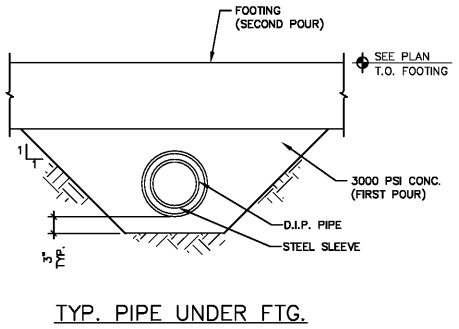
DOOR & WINDOW WIND PRESSURE (PSF)
COMPONENTS AND CLADDING-EXP. C-108 MPH(ASD) WIND SPEED

SIZE OF WALL OPENING (SQ. FT.)	WALL AREA	
	4	5
10	+28.1/-30.4	+28.1/-37.5
20	+26.8/-29.2	+26.8/-35.1
50	+25.2/-27.5	+25.2/-31.7
100	+23.9/-26.3	+23.9/-29.2

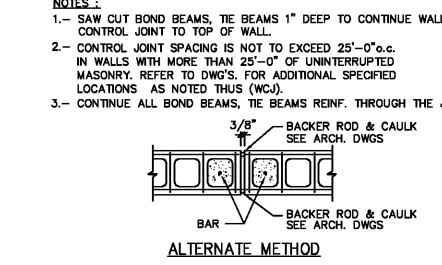
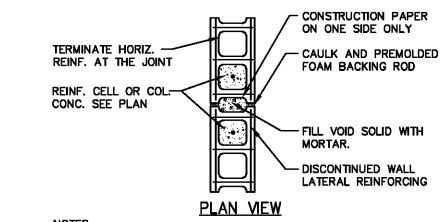
STEEL COLUMN SCHEDULE

MARK	SIZE	BASE PL	A.B.	REM
SC-1	HSSB4x3/8	16x12x1-1/8	(4) 1-1/8"	SEE NOTE 1

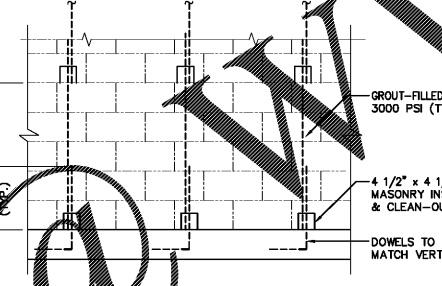
- NOTE:**
- PROVIDE 8-1/2x4-1/2x1/4 CAP PLATE WELD TO STEEL BEAM ABOVE.



TYPICAL BOND BEAM DETAIL
N.T.S.



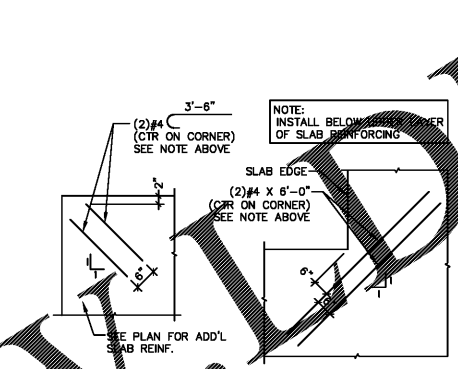
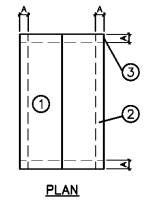
CMU WALL CONTROL JOINT (WCJ) DETAIL
N.T.S.



TYPICAL MASONRY FILLED CELL DETAIL
N.T.S.

IMPORTANCE FACTOR 1.0

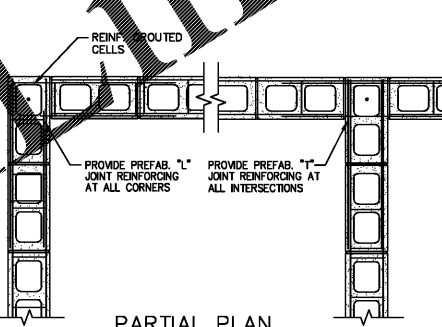
- NOTES:**
- WIND DESIGN PER FBC-2014
 - + INDICATES WIND PRESSURE
- INDICATES WIND SUCTION
 - WALL DISTANCE A = 5 FT (COMPONENTS AND CLADDING)
 - FOR EFFECTIVE WIND AREAS BETWEEN THOSE GIVEN ABOVE THE LOAD MAY BE INTERPOLATED. OTHERWISE USE THE LOAD ASSOCIATED WITH THE LOWER EFFECTIVE WIND AREA
 - MULTIPLY VALUES WITH 1.87 FOR ULT.



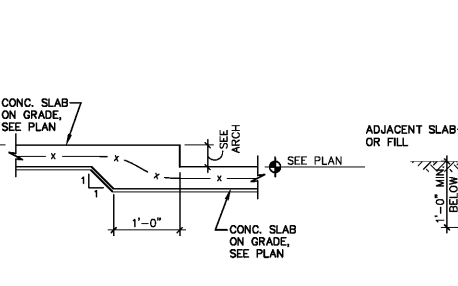
TYP. SLAB CORNER REINF.

IMPORTANCE FACTOR 1.0

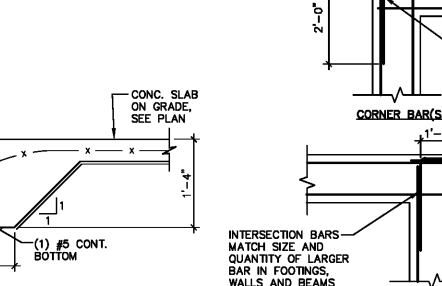
- NOTES:**
- WIND DESIGN PER FBC-2014
 - + INDICATES WIND PRESSURE
- INDICATES WIND SUCTION
 - WALL DISTANCE A = 5 FT (COMPONENTS AND CLADDING)
 - FOR WALL OPENINGS BETWEEN THOSE GIVEN ABOVE THE LOAD MAY BE INTERPOLATED. OTHERWISE USE THE LOAD ASSOCIATED WITH THE LOWER EFFECTIVE WIND AREA
 - MULTIPLY VALUES WITH 1.87 FOR ULT.



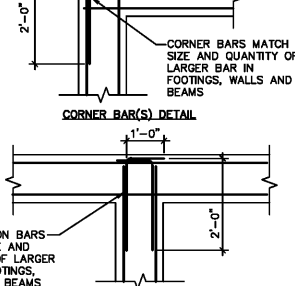
TYPICAL CMU WALL DETAILS
N.T.S.



TYPICAL SLAB RECESS



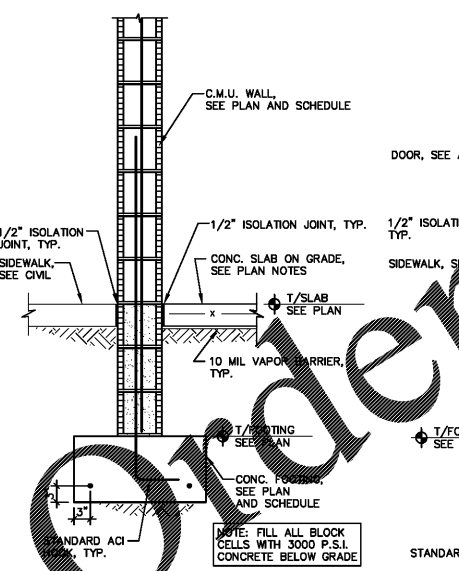
THICKENED EDGE (T.E.)



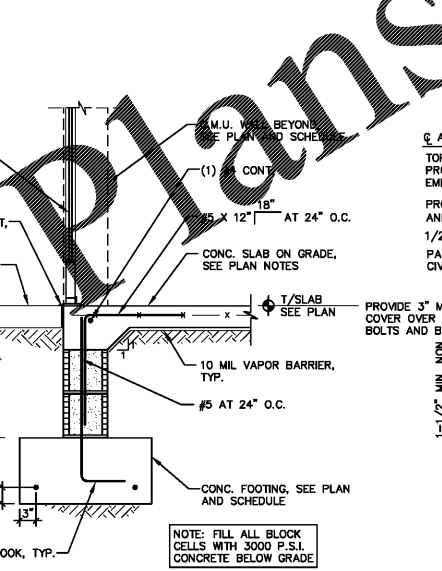
CORNER BAR(S) DETAIL



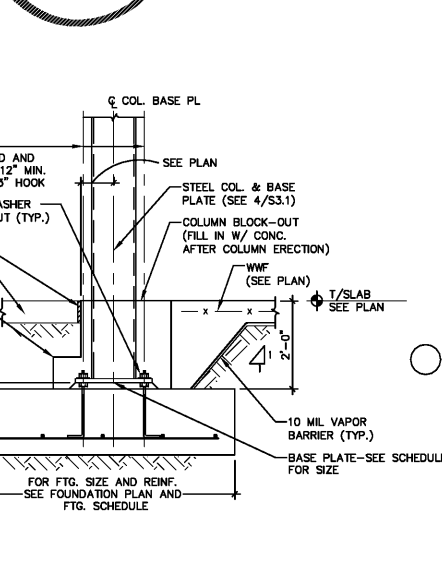
INTERSECTION BAR(S) DETAIL



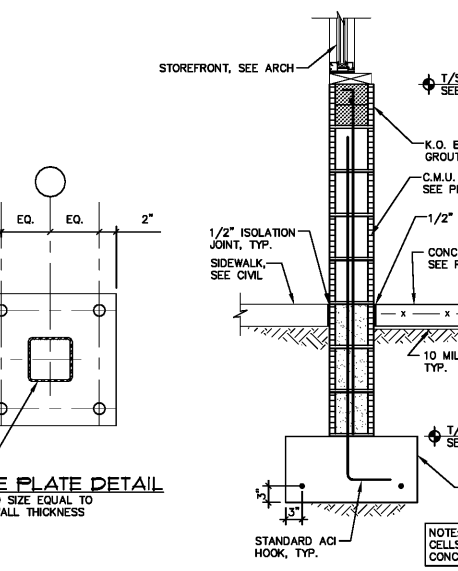
SECTION 1
3/4"=1'-0" S3.1



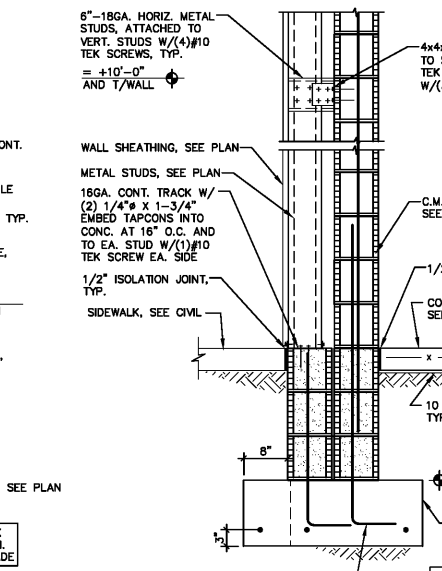
SECTION 2
3/4"=1'-0" S3.1



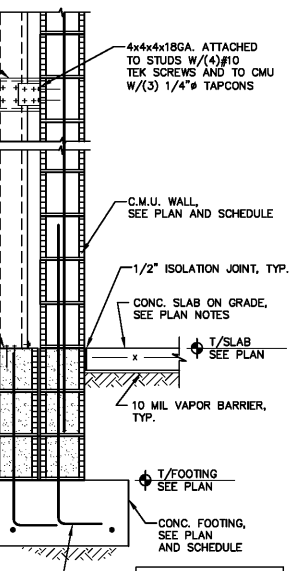
SECTION 3
3/4"=1'-0" S3.1



SECTION 4
1-1/2"=1'-0" S3.1



SECTION 5
3/4"=1'-0" S3.1



SECTION 6
3/4"=1'-0" S3.1

Order Plans