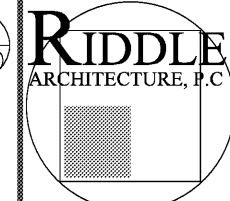


REVISIONS	
NO.	DATE

A
NEW TOWN
HALL FOR:

THE TOWN OF
NORTH
HIGH
SHOALS

260 HILLSBORO
ROAD



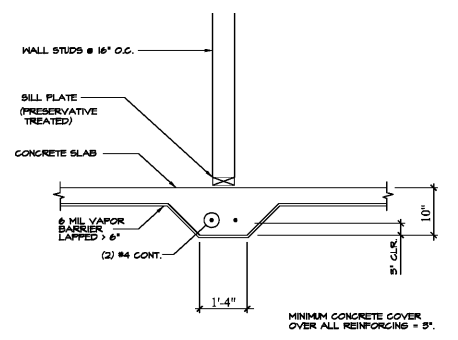
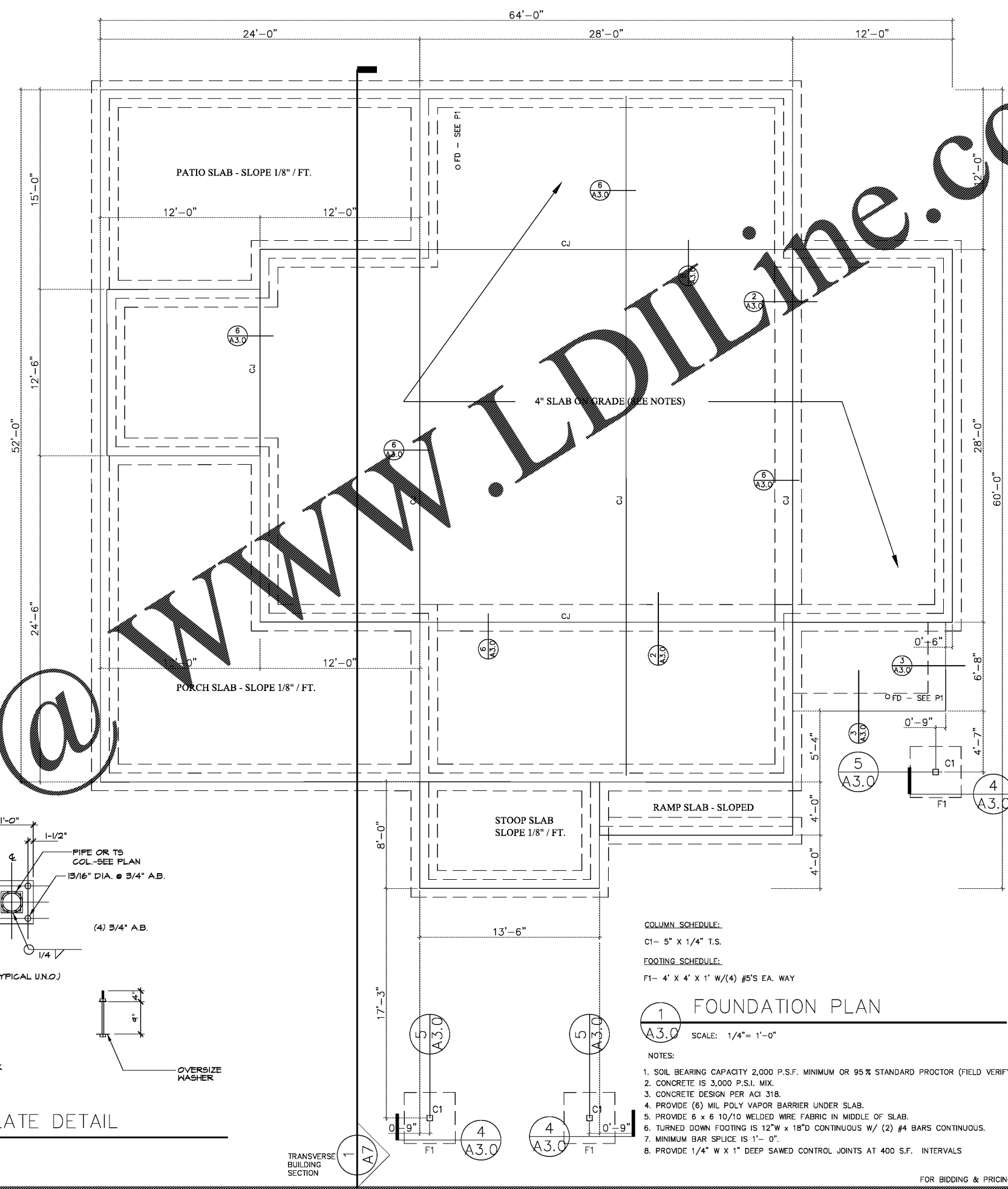
AMERICAN
INSTITUTE
OF
ARCHITECTS

1481 HODGES MILL ROAD
WATKINSVILLE, GA
30677
(404) 285-8646

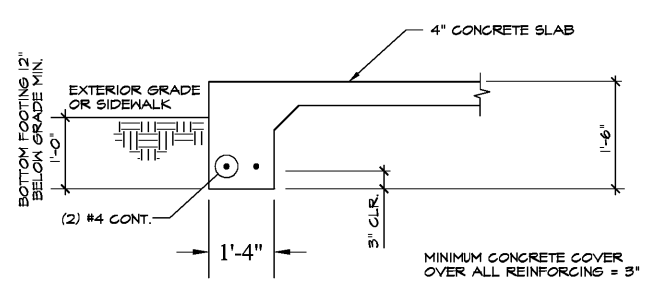
TITLE: FOUNDATION
PLAN

JOB #: 1510
DATE: 11.17.17

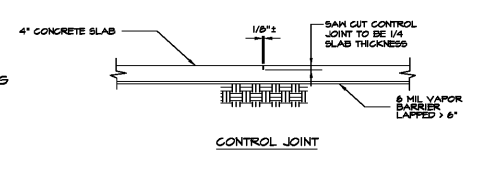
SHEET #
A3.0



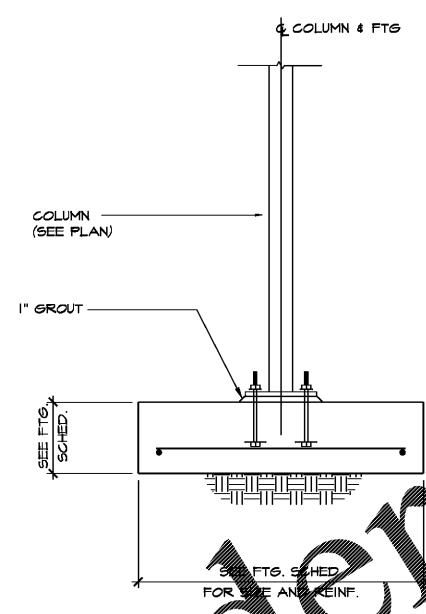
2 THICKENED SLAB @ INTERIOR WALL
SCALE: 1/2" = 1'-0"



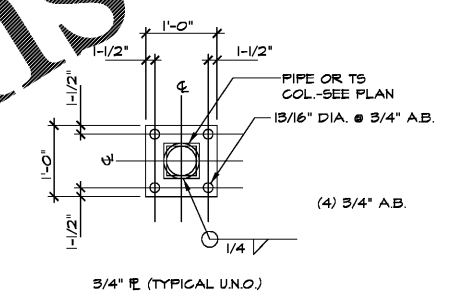
3 TYP. TURN DOWN SLAB
SCALE: 3/4" = 1'-0"



6 TYPICAL CONTROL JOINT
SCALE: 1/2" = 1'-0"



4 COLUMN/FOOTING DETAIL
SCALE: 3/4" = 1'-0"



5 BASE PLATE DETAIL
SCALE: NTS

NOTES:
1. COLUMN TO BE CENTERED ON BASE PL. (TYP.)
2. ANCHOR BOLT PROJECTION TO BE 4" (TYP. U.N.O.)
3. PROVIDE MIN. 1" NON-SHRINK GROUT BELOW BASE PL.

1 FOUNDATION PLAN
SCALE: 1/4" = 1'-0"

NOTES:
1. SOIL BEARING CAPACITY 2,000 P.S.F. MINIMUM OR 95% STANDARD PROCTOR (FIELD VERIFY).
2. CONCRETE IS 3,000 P.S.I. MIX.
3. CONCRETE DESIGN PER ACI 318.
4. PROVIDE (6) MIL POLY VAPOR BARRIER UNDER SLAB.
5. PROVIDE 6 x 6 10/10 WELDED WIRE FABRIC IN MIDDLE OF SLAB.
6. TURNED DOWN FOOTING IS 12"W x 18"D CONTINUOUS W/ (2) #4 BARS CONTINUOUS.
7. MINIMUM BAR SPLICE IS 1'-0".
8. PROVIDE 1/4" W X 1" DEEP SAWED CONTROL JOINTS AT 400 S.F. INTERVALS

Order Plans

WWW.LDILine.com