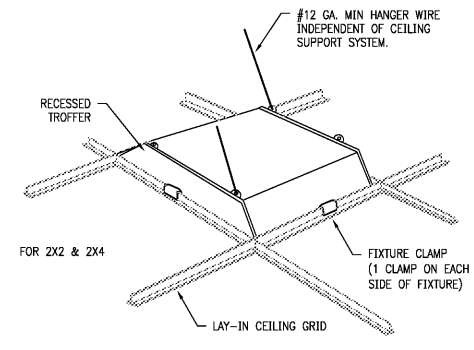
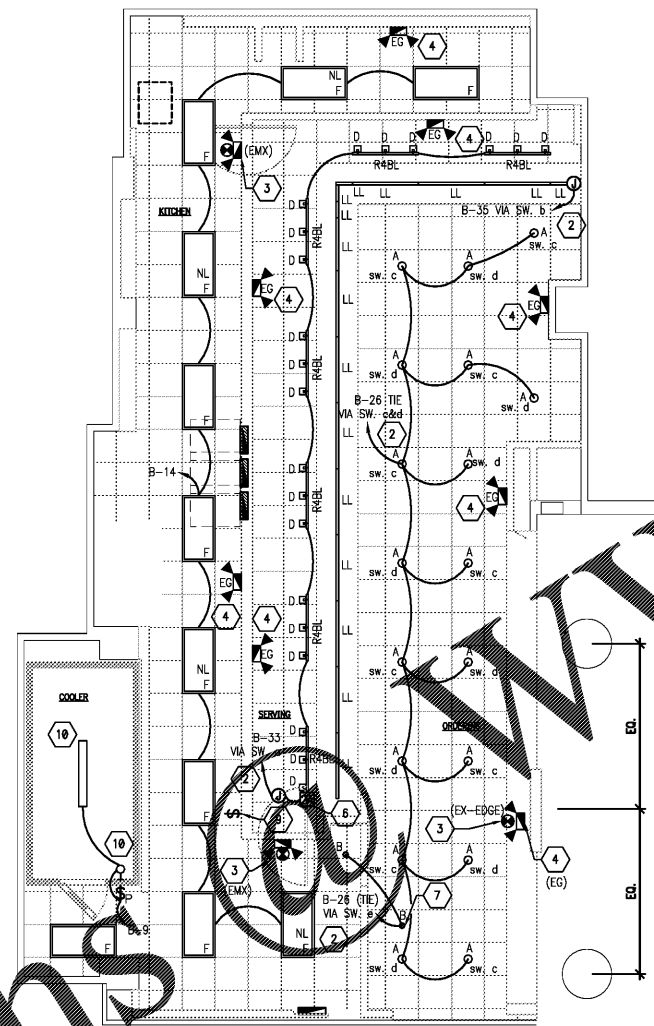


2 SWITCHBANK DETAIL



NOTE:  
 PROVIDE LIGHT FIXTURE SUPPORTS PER:  
 • USG SEISMIC TECHNICAL GUIDE: LIGHT FIXTURE HANGER WIRE REQUIREMENTS  
 • NEC 410.36  
 • NEC 300.11

3 RECESSED FIXTURE MOUNTING NTS



1 LIGHTING FLOOR PLAN

3/16"=1'-0"

FIXTURE TYPE	MANUFACTURER & CATALOG NUMBER	MOUNTING	LAMP		VOLTS	REMARKS	FURNISHED BY
			NO.	TYPE			
A	CONTECH LIGHTING RL380-ICESA/CTR3001W-WHT	RECESSED	1	LR2515D-GU24-30K	120	LED 14W, LUMENS 820/BATHROOMS/ORDERING. DIMMER LUTRON NOVAT NTELV380	CONCEPT SERVICES
B	CONTECH LIGHTING RL20-IC/CTR2008-P	RECESSED	1	LR2907DDG-WFL-E26-30K	120	EYEBALL, 30° VERTICAL ADJUSTMENT /DIMMABLE/DINING ROOM	CONCEPT SERVICES
D	CONTECH LIGHTING CTL8081HM3D-W(WHITE)	TRACK	1	LED	120	TRACKHEAD LED 18W DIMMABLE/SERVING/LUMENS 725	CONCEPT SERVICES
R4BL	CONTECH LIGHTING LT-4-B/K1-10-W(WHITE)	TRACK	-	-	-	4' TRACK	CONCEPT SERVICES
F	MOBERN LIGHTING RG24-LED48DMV40	RECESSED	1	LED	120	2'X4' SHIELD TROFFER/BATHROOMS LUMENS 4800/WATTS 35	CONCEPT SERVICES
H	MOBERN LIGHTING RG22-LED28DMV40	RECESSED	1	LED	120	2'X2' SHIELD TROFFER/BACK OF HOUSE/ LUMENS 3200/WATTS 35	CONCEPT SERVICES
LL	SSL ECVLX-4-3K-60/120	SURFACE	1	LED	120	LINEAR HP INT, 5.5 W/WATT/KILUMENS 300K,120V DIMMABLE/SERVING	CONCEPT SERVICES
W	LITHONIA	SURFACE	1	CB-2-32-MVOLT	120	FIXTURE WITH SHIELD, MOUNT ABOVE DOOR	GENERAL CONTRACTOR
EG	EXITRONIX (BARRON) LED-90	WALL	2	LED	120	EMERGENCY/EGRESS LIGHT FIXTURE/SELF 1 WATT LED PER HEAD/90 MINUTE BATTERY BACKUP	CONCEPT SERVICES
EMX	EXITRONIX (BARRON) VEX-U-EP-WH-EL-90-R	WALL	2	FLUOR.	120	EMERGENCY/EGRESS LIGHT FIXTURE/SELF CONTAINED 6 VOLT 5.4 WATT HIGH INTENSITY TUNGSTEN LAMPS/90 MINUTE BATTERY BACKUP	CONCEPT SERVICES
EX-EDGE	EXITRONIX (BARRON) S902-WB-SR-GC-WH	CEILING	1	LED	120	EMERGENCY/EGRESS LIGHT FIXTURE/SINGLE FACE WITH GREEN LETTERS/90 MINUTE BATTERY BACKUP	CONCEPT SERVICES
Y	DUAL		1	LED	120	EXTERIOR EMERGENCY EGRESS LIGHT FIXTURE 90 MINUTE BATTERY BACKUP	GENERAL CONTRACTOR

PROVIDE ALL LIGHT FIXTURES FURNISHED BY CONCEPT SERVICES. THE FIXTURES ARE PAID FOR BY THE FRANCHISEE AND DELIVERED TO THE SITE BY CONCEPT SERVICES. PROVIDE (FURNISH AND INSTALL) SWITCHES, DIMMERS, BULBS AND ALL OTHER LIGHTING COMPONENTS BESIDES THE LIGHT FIXTURES INDICATED TO BE FURNISHED BY CONCEPT SERVICES. CONTACT STEVE BELL (ACCOUNT MANAGER) AT (512)343-3100.

SHEET NOTES:

- ALL LIGHTING CONTROLLED BY TIME CLOCK SYSTEM.
- COORDINATE ALL LIGHTING LOCATIONS WITH OWNER. VERIFY LIGHT SWITCH LOCATION AND TYPE OF CONTROLS - WITH TIME CLOCK.
- FIELD VERIFY ALL DINING ROOM LIGHT FIXTURES WITH OWNER.
- REFER TO ARCHITECTURAL DRAWINGS FOR DIMENSIONED REFLECTED CEILING PLAN.
- COORDINATE ALL RECEPTACLE LOCATIONS WITH OWNER. VERIFY CONTROLS OF RECEPTACLES.
- STANDARD LIGHTING MARKED WITH "NL" SHALL OPERATE CONTINUOUSLY. PROVIDE UNSWITCHED HOT TO STANDARD BALLASTS.

LIGHTING KEYED NOTES:

- NOT USED.
- SWITCH DESIGNATION. REFERENCE SWITCHBANK DETAIL ON THIS SHEET FOR CORRESPONDING SWITCH. TIME CLOCK CONTROLLED.
- WALL MOUNT EXIT SIGN FIXTURE AT 6" ABOVE DOOR FRAME (OR AT 6" BELOW CEILING AT NON-DOOR LOCATIONS).
- WALL MOUNT EGRESS EMERGENCY LIGHT AT 6" BELOW CEILING.
- NOT USED.
- PROVIDE A JUNO CURRENT LIMITER TYPE TCL2BL/TCLF21BL. INSTALL PER MANUFACTURER'S INSTRUCTIONS.
- TYPE 'B' FIXTURE WITH ADJUSTABLE WALL WASH TRIM TO ACCENT TEA TAP WALL.
- NOT USED.
- LOCATION OF SWITCH BANK. REFER TO DETAIL 2 ON THIS SHEET.
- VAPOR-TIGHT LIGHT FIXTURE FURNISHED WITH WALK-IN COOLER. VERIFY WITH WALK-IN PROVIDER PRIOR TO BID. INSTALL AND CONNECT TO CIRCUIT SHOWN.

GENERAL NOTES:

- THE FOLLOWING WORK IS TO BE PERFORMED:
- ROUGHING-IN AND FINAL CONNECTIONS OF ELECTRICAL SYSTEMS TO FOOD SERVICE EQUIPMENT.
  - COMMUNICATION SYSTEMS, CLOCKS AND STAFF TIME CLOCKS IN FOOD SERVICE AREA.
  - WALL SWITCH FOR LIGHT FIXTURES IN EXHAUST HOODS.
  - WALL SWITCH FOR FAN MOTOR FOR EXHAUST HOOD'S SYSTEM.
  - WIRING TO AND INSTALLATION OF ACCESSORIES (IF ANY) WHICH ARE FURNISHED STANDARD WITH FOOD SERVICE EQUIPMENT.
  - EMERGENCY LIGHTING AND/OR POWER SYSTEM.
  - PROVIDE EQUIPMENT DISCONNECT SWITCHES AS INDICATED.
  - SPECIAL NOTE: ANSUL FIRE SUPPRESSION SYSTEM IS TO BE CONNECTED TO CORRESPONDING UNDER HOOD TRIP CONTACTORS FOR SHUT DOWN OF COOKING EQUIPMENT BELOW VENTILATOR DURING FIRE - IN ADDITION, THE SUPPRESSION SYSTEM SHALL BE REQUIRED TO BE INTERCONNECTED WITH MECHANICAL FOR GAS SHUT OFF DURING FIRE.
  - ALL EXIT, EMERGENCY AND NIGHT LIGHTING SHALL BE CONNECTED TO LOCAL AREA LIGHTING AHEAD OF ANY SWITCHES OR LIGHTING CONTROLS.

GENERAL ABBREVIATIONS:

AFF	ABOVE FINISHED FLOOR	DWG	DRAWING	MTD	MOUNTED
AHU	AIR HANDLING UNIT	ELEC	ELECTRICAL	NIC	NOT IN CONTRACT
ARCH	ARCHITECTURAL	EF	EXHAUST FAN	NK	NECK
BOD	BOTTOM OF DUCT	EW	ELECTRIC WATER HEATER	OA	OUTSIDE AIR
BLDG	BUILDING	FDV	FIRE DEPARTMENT VALVE	OB	OPPOSED BLADE DAMPER
CI	CAST IRON	FCO	FLOOR CLEANOUT	P	PILOT LIGHT
CL	CENTER LINE	GALV	GALVANIZED	PSI	POUNDS PER SQUARE INCH
CO	CLEANOUT	HW	HOT WATER	PRV	PRESSURE REDUCING VALVE
COG	CLEANOUT AT GRADE	IE	INVERT ELEVATION	RA	RETURN AIR
CONC	CONCRETE	KW	KILOWATTS	RD	ROOF DRAIN
CONN	CONNECTION	LAV	LAVATORY	SA	SUPPLY AIR
CONT	CONTINUATION	M	MOTION DETECTOR	SF	SUPPLY FAN
CW	DOMESTIC COLD WATER	MAX	MAXIMUM	SP	STATIC PRESSURE
DN	DOWN	MECH	MECHANICAL	SPEC	SPECIFICATIONS
DIA	DIAMETER	MIN	MINIMUM	TYP	TYPICAL
		MVD	MANUAL VOLUME DAMPER	NL	NIGHT LIGHT

SEAL:  
 THIS DOCUMENT IS NOT FOR CONSTRUCTION UNLESS THE ARCHITECT OR ENGINEER'S SIGNATURE AND SEAL APPEAR BELOW.

NO.	DATE	REVISIONS
2	01.04.18	ISSUED/RELEASED FOR CONSTRUCTION
1	12.28.17	LANDLORD COMMENTS

**Salata**  
 PEACHTREE CENTER MALL  
 231 PEACHTREE ST. NE SUITE B14  
 ATLANTA, GA 30303

PROJECT NO: 2017.0221  
 DATE: 12.08.2017

**E1.0**  
 LIGHTING FLOOR PLAN

CHECKED: DAS DRAWN: C J B

Order Plans

WWW.LDLINE.COM