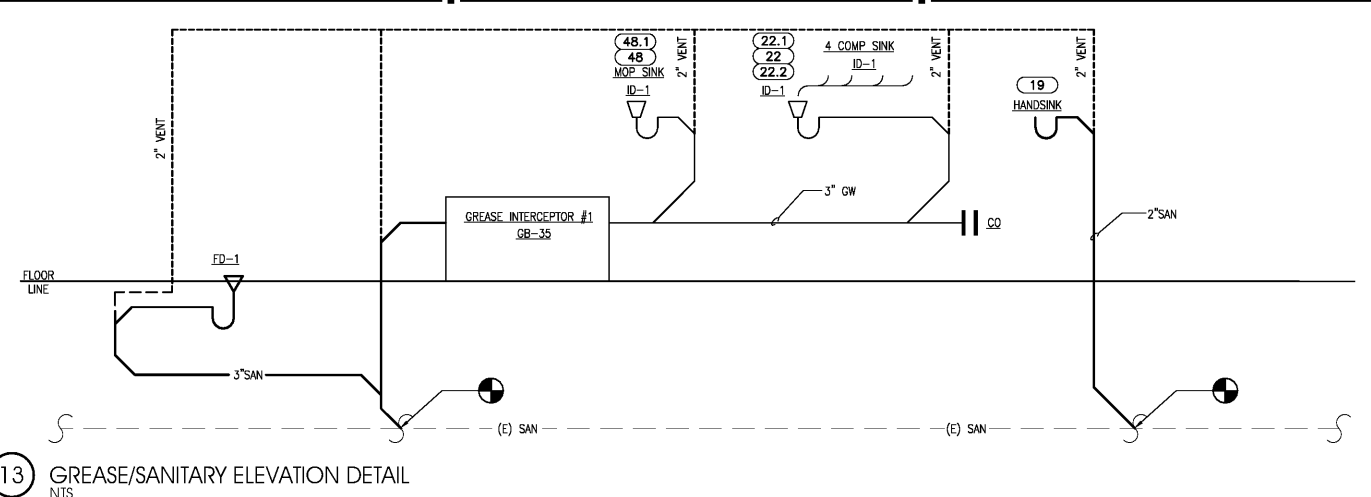
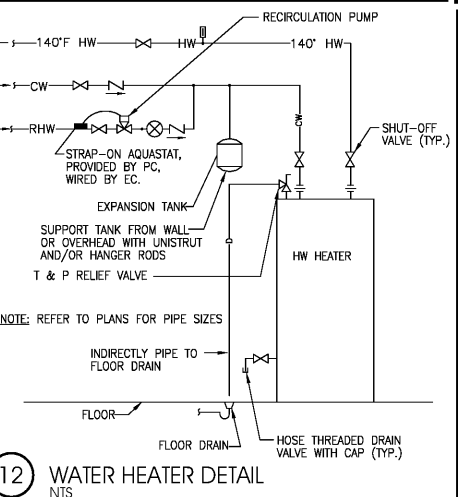
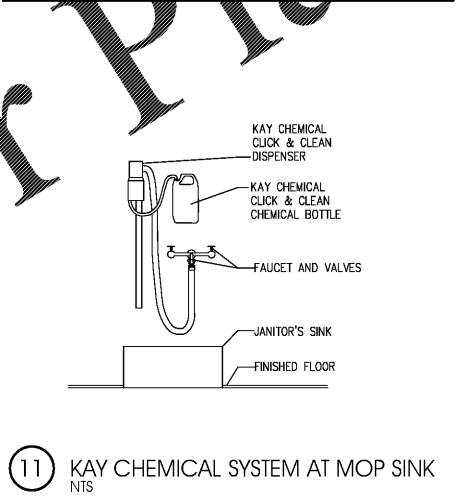
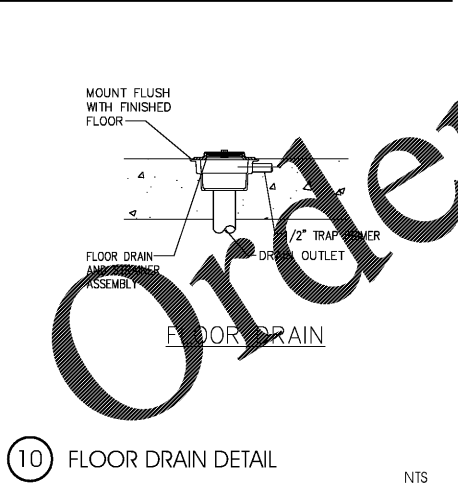
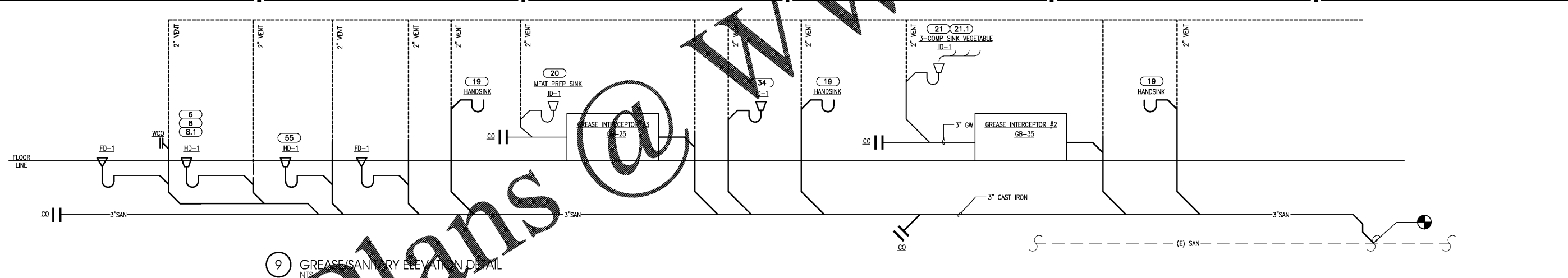
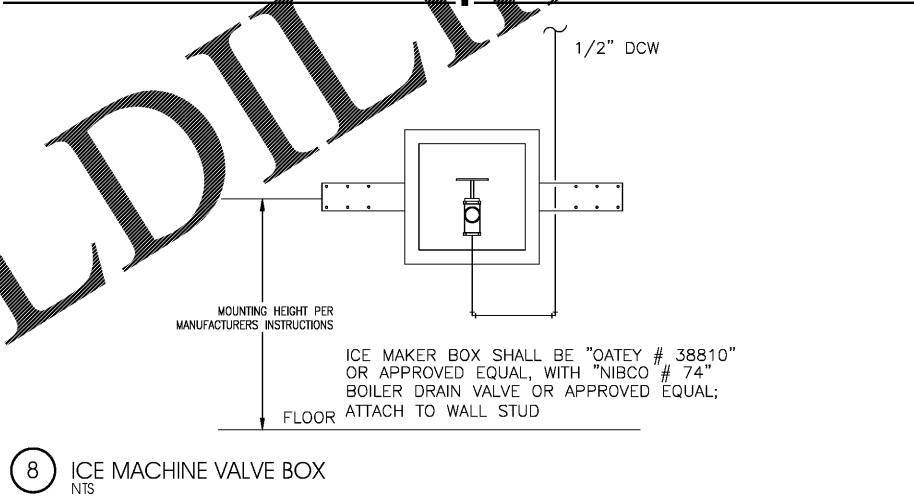
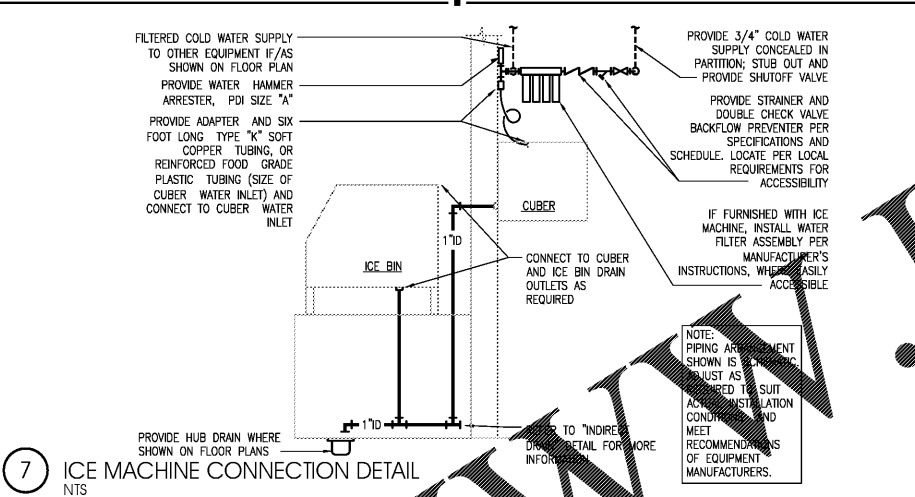
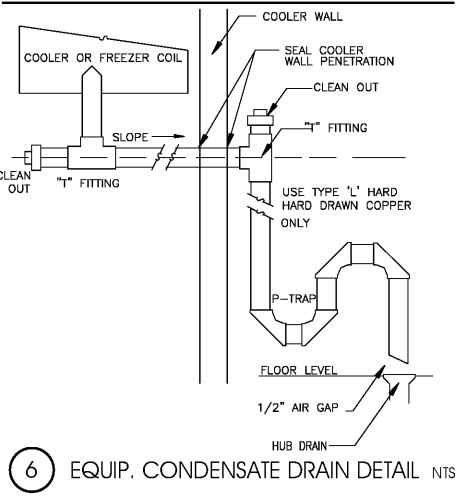
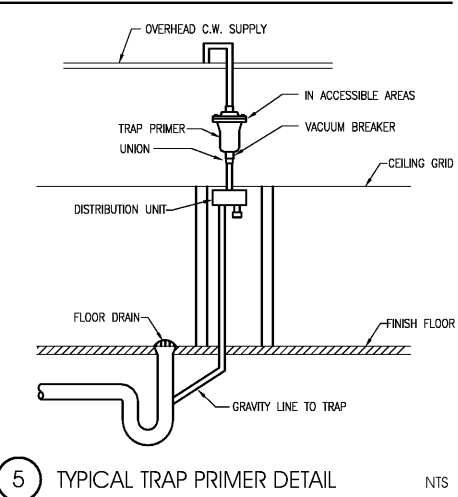
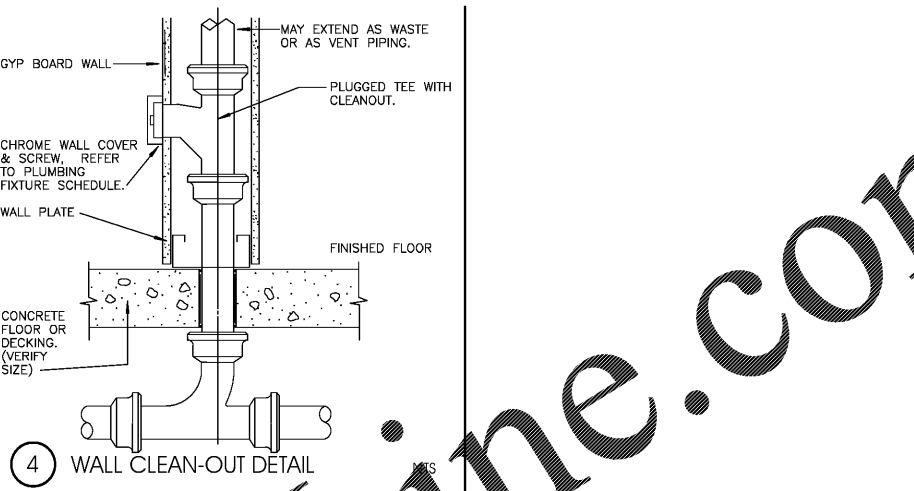
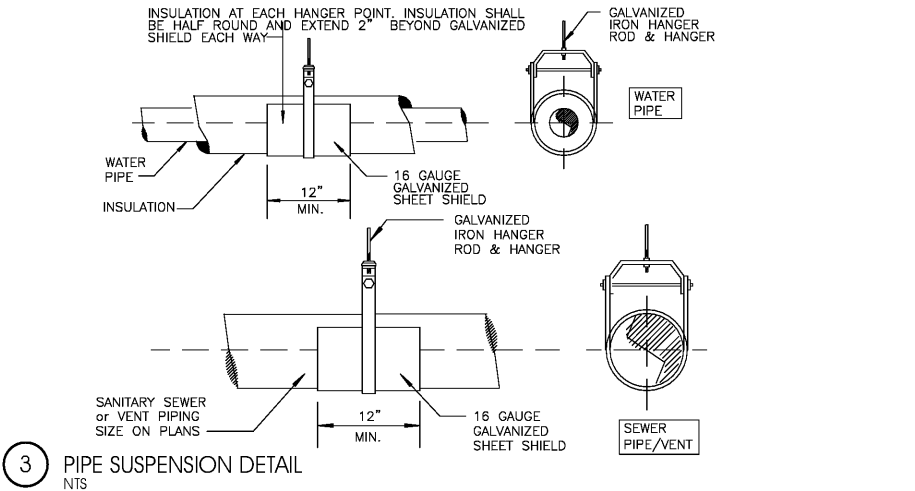
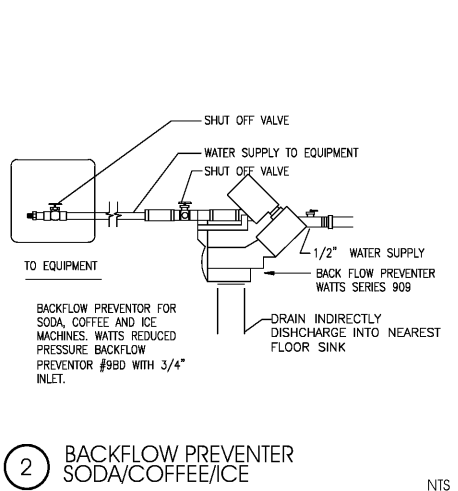


PART #	P.D.I. SYMBOL	FIXTURE UNITS	"A" CHAMBER	"B" SWEAT OPENING
652-AS	A	1-11	9-5/8"	1/2"
653-BS	B	12-32	11-3/4"	3/4"
654-CS	C	33-60	14-11/16"	1"
655-DS	D	61-113	12-3/8"	1"
656-DS	E	114-154	15-3/8"	1"
657-FS	F	155-330	17-3/8"	1"

NOTE: MAY BE INSTALLED HORIZONTALLY.  
NOTE: SIOUX CHIEF HYDRA-RESTER (OR EQUAL).



**INTERPLAN**  
ARCHITECTURE  
ENGINEERING  
INTERIOR DESIGN  
PROJECT MANAGEMENT  
604 COURTLAND STREET  
SUITE 100  
TALLAHASSEE, FLORIDA 32304  
PH 407.645.5008  
FX 407.629.9124

SEAL:  
THIS DOCUMENT IS NOT FOR CONSTRUCTION  
UNLESS THE ARCHITECT OR ENGINEER'S  
SIGNATURE AND SEAL APPEAR BELOW.

NO.	DATE	REVISIONS
2	01.04.18	ISSUED/RELEASED FOR CONSTRUCTION
1	12.28.17	LANDLORD COMMENTS
		NO. DATE REMARKS

**Salata**  
PEACHTREE CENTER MALL  
231 PEACHTREE ST. NE SUITE B14  
ATLANTA, GA 30303

PROJECT NO: 2017.0221  
DATE: 12.08.2017

**P1.3**  
PLUMBING DETAILS

CHECKED: PD DRAWN: AC

Order Plans

WWW.LDILine.com

COPYRIGHT © 2017 INTERPLAN, LLC. RESERVE COPYRIGHT & OTHER RIGHTS RESTRICTING THESE DOCUMENTS TO THE ORIGINAL SET OR PURPOSE FOR WHICH THEY WERE PREPARED. REPRODUCTIONS, CHANGES OR ASSIGNMENTS ARE PROHIBITED.