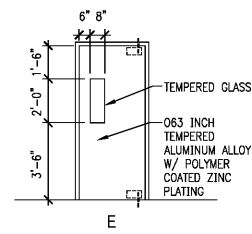


**DOOR SCHEDULE**

DOOR NO.	LOCATION	TYPE	DOOR					FRAME		HWR SET	FIRE RATED ASSEMBLY	NOTES
			MATL	WIDTH	HEIGHT	THICK	FINISH	MATL	FINISH			
1-2	KITCHEN	E	ALUM	3'-0"	7'-0"	1 3/4"	POLYMER COATED ZINC	ALUM.	POLYMER COATED ZINC	KI	N/A	PROVIDE WINDOW

**HARDWARE SETS**

KI	SINGLE ACTING PIVOTAL HINGE WITH CLOSER, (1) STAINLESS STEEL PUSH BAR - 4"x16", (1) STAINLESS STEEL PUSH PLATE - 4"x16"
----	---

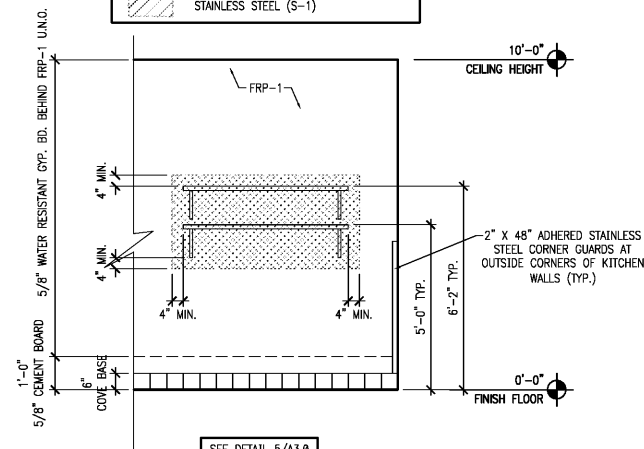


NOTE: NOT ALL DOOR TYPES MAY BE UTILIZED. VERIFY GRAPHICS WITH SALATA CORPORATE PRIOR TO INSTALLATION. COORDINATE WITH OWNER ON PROCEDURE.

13 DOOR TYPES & ELEVATIONS 1/4"=1'-0"

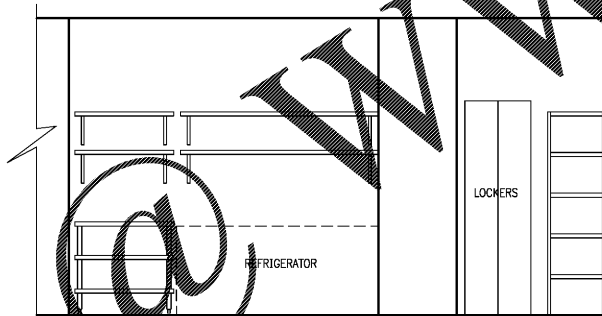
**LEGEND**

- 5/8" FIRE RETARDANT PLYWOOD BLOCKING
- STAINLESS STEEL (S-1)



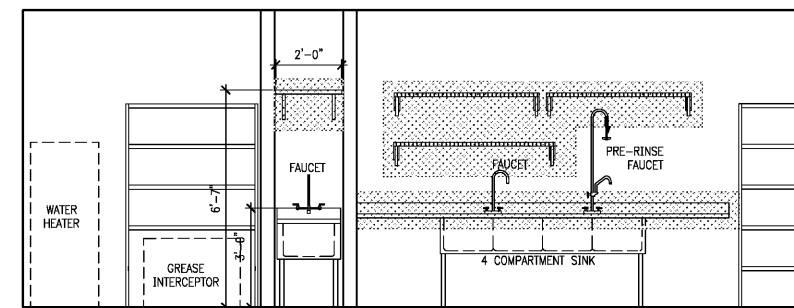
SEE DETAIL 5/A3.0

10 TYPICAL KITCHEN WALL FINISHES 3/8"=1'-0"



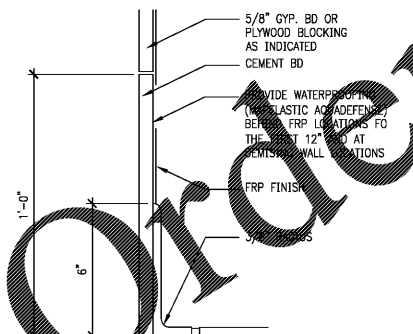
REFER TO TYPICAL KITCHEN WALL ELEVATION 10/A3.0 FOR TYPICAL WALL FINISHES, SUBSTRATE MATERIALS, BLOCKING, AND SHELVING HEIGHTS U.N.O.

9 ELEVATION AT KITCHEN 3/8"=1'-0"

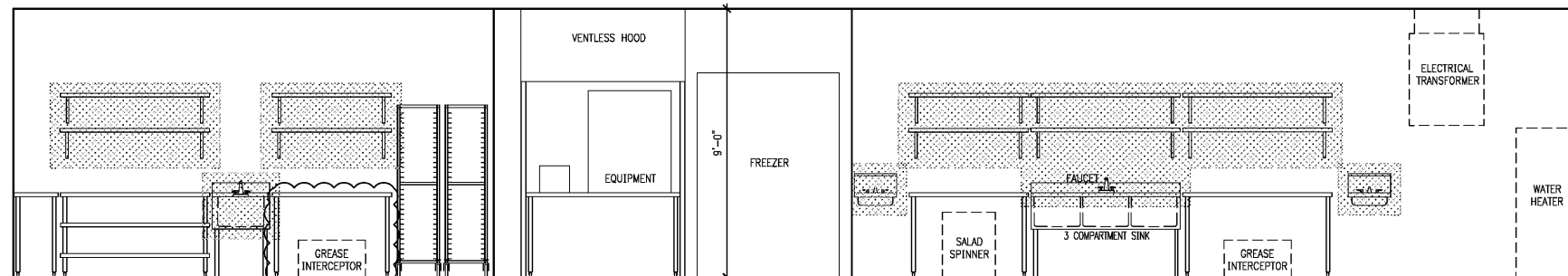


REFER TO TYPICAL KITCHEN WALL ELEVATION 10/A3.0 FOR TYPICAL WALL FINISHES, SUBSTRATE MATERIALS, BLOCKING, AND SHELVING HEIGHTS U.N.O.

7 ELEVATION AT KITCHEN 3/8"=1'-0"



5 TILE COVE BASE DETAIL 3"=1'-0"



REFER TO TYPICAL KITCHEN WALL ELEVATION 10/A3.0 FOR TYPICAL WALL FINISHES, SUBSTRATE MATERIALS, BLOCKING, AND SHELVING HEIGHTS U.N.O.

4 ELEVATION AT KITCHEN 3/8"=1'-0"