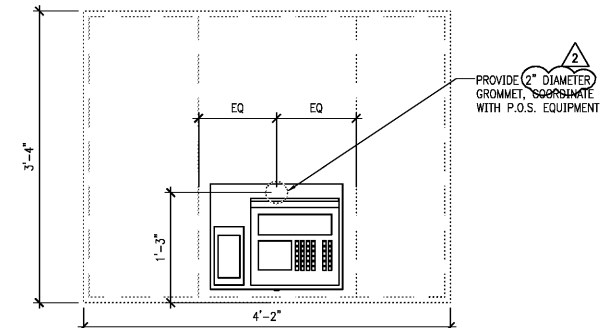
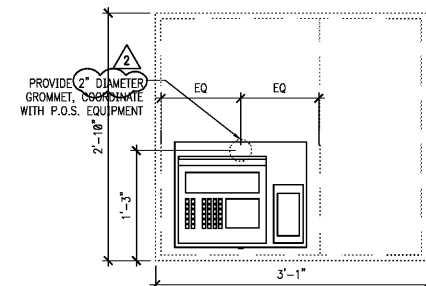


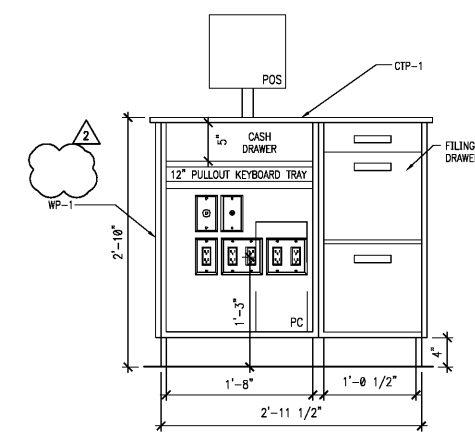
Order Plans

@

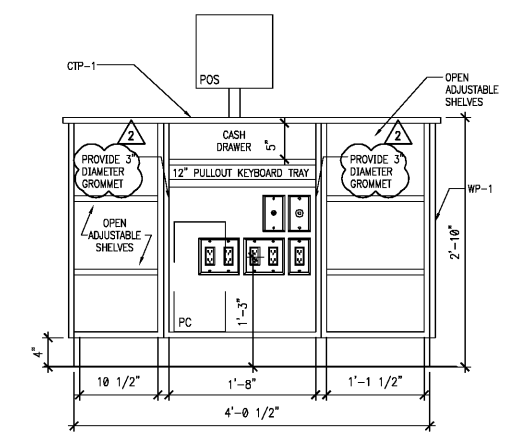
WWW.LDILine.com



- GENERAL CABINET NOTES:**
1. CABINETS TO BE CONSTRUCTION OF 3/4" PLYWOOD WITH EXPOSED PLYWOOD FACE AT AREAS TO RECEIVE WP-1 AND WP-2 WOOD PLANKS.
  2. CABINETS TO BE PROVIDED WITH 3/4" PLYWOOD TOP READY TO ACCEPT CTP-1 COUNTERTOP.
  3. INTERIOR SURFACES OF CABINETS TO BE PROVIDED WITH WHITE PLASTIC LAMINATE.
  4. EXTERIOR FRONT FACE OF CABINET OPENING AND EDGE TREATMENT OF DOORS TO BE PL-1.
  5. PROVIDE MARINE GRADE PLYWOOD BASE AT TOEKICK TO RECEIVE 4" B-1 OR B-2 TOE KICK.
  6. PROVIDE OFFSET CONCEALED HINGES TO ALLOW FOR DOOR TO OPERATION WITH APPLIED WP-2 WOOD PLANKS.



2 CHECKOUT COUNTER DETAIL 1"=1'-0"



1 CHECKOUT COUNTER DETAIL 1"=1'-0"

NO	DATE	REVISIONS
2	01.04.18	ISSUED/RELEASED FOR CONSTRUCTION
1	12.28.17	LANDLORD COMMENTS

**Salata**  
PEACHTREE CENTER MALL  
231 PEACHTREE ST., NE SUITE B14  
ATLANTA, GA 30303

PROJECT NO: 2017.0221  
DATE: 12.08.2017

**A2.2**  
INTERIOR ELEVATIONS

CHECKED: MW DRAWN: MP

INTERPLAN, LLC. RESERVES COPYRIGHT & OTHER RIGHTS IN THESE DOCUMENTS TO THE ORIGINAL SITE. ANY REUSE FOR WHICH THEY WERE PREPARED, REPRODUCTIONS, CHANGES OR ASSIGNMENTS ARE PROHIBITED. COPYRIGHT © 2017