

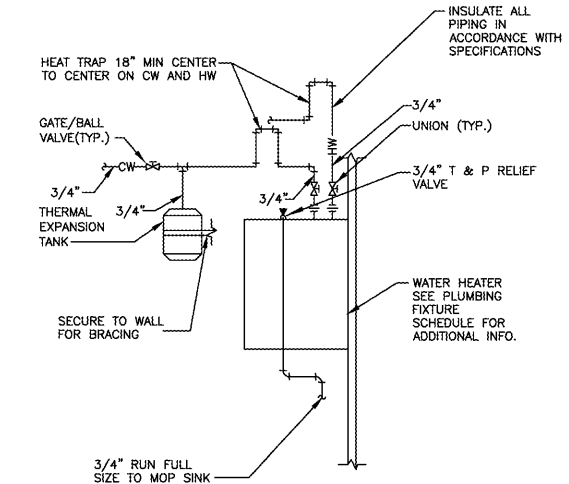
PLUMBING SCHEDULE													
MARK	DESCRIPTION	FIXTURE		VALVE/FAUCET		CONNECTIONS				ELECTRICAL			REMARKS
		MFR	MODEL	MFR	MODEL	WASTE	VENT	CW	HW	VOLTAGE	PHASE	WATTS	
WC-1	WATER CLOSET HANDICAP SINK	AMERICAN STANDARD	MADERA #3461.001, WHITE	SLOAN	ECOS 111-1.6/1.1 HW	4"	2"	1-1/4"	-	120	1	-	1, 13
SK-1	LAVATORY	DWYER	-	PHOENIX	-	1-1/2"	1-1/2"	1/2"	1/2"	-	-	-	12
LAV	LAVATORY STANDARD	AMERICAN STANDARD	DECORUM 9024.011 EC	AMERICAN STANDARD	SERIN (BATTERY) 2064.145 (0.5GPM)	1-1/2"	1-1/2"	1/2"	1/2"	115	1	-	2, 3, 14
EWH	WATER HEATER TANK	BOSCH	3000T ES4 4 GALLON	-	-	-	-	3/4"	3/4"	120	1	1440	4, 17
AP	WALL ACCESS PANEL	ZURN	ZANB-1460-11 11" x 11"	-	-	-	-	-	-	-	-	-	-
FCO	FLOOR CLEAN OUT	JAY R. SMITH	SERIES 4000 TO SUIT FLOOR FINISH	-	-	-	-	-	-	-	-	-	11
FD	FLOOR DRAIN	JAY R. SMITH	2005A-PO50	-	-	3"	1-1/2"	-	-	-	-	-	10
MS	MOP SINK	FIAT PRODUCTS	#MSB-2424	T&S	B-0167-HH	3"	1-1/2"	1/2"	1/2"	-	-	-	5
EWC	ELECTRIC WATER COOLER	ELKAY	EZTL8C TWO LEVEL	-	-	1-1/2"	1-1/2"	1/2"	-	120	1	325	6
WHA	WATER HAMMER ARRESTERS	ZURN	SHOKTROL	-	-	-	-	-	-	-	-	-	-
WCO	WALL CLEAN OUT	JAY R. SMITH	4532S	-	-	-	-	-	-	-	-	-	15

REMARKS:

- PROVIDE WITH BEMIS MANUFACTURING MODEL 1955SSC STANDARD WHITE OPEN FRONT SEAT LESS COVER.
- PROVIDE WITH JAY R. SMITH #0700 FLOOR MOUNT LAVATORY CARRIER.
- PROVIDE WITH TRUEBRO LAV GUARD MODEL #102.
- PROVIDE WITH A WATTS PLT-5 2.1 GALLON POTABLE WATER EXPANSION TANK (ET).
- PROVIDE WITH FIAT PRODUCTS VINYL BUMPER GUARD #E-77-AA.
- PROVIDE WITH DEARBORN 17GA. TRAP, TRAP ADAPTER AND ANGLE STOP.
- FURNISH WITH LOOSE TEE KEY.
- GC TO SUBMIT SHOP DRAWINGS AND CATALOGUE SUBMITTAL TO GAP INC. FOR APPROVAL.
- PRESSURE ASSISTED TANK-TYPE.
- FLOOR DRAIN TO BE PROVIDED WITH TRAP SEAL DEVICE (TS), PROSET TRAP GUARD, SURE SEAL TRAP SEALER OR EQUAL.
- PROVIDE POLISHED NICKEL BRONZE COVER WITH ZARB-1470-A CLEANOUT PLUG.
- SINK AND FAUCET PROVIDED WITH PRE-FAB KITCHENETTE.
- FURNISH RIGHT HAND AND LEFT HAND MODELS AS REQUIRED PER ADA.
- PROVIDE WITH MIXING VALVE, 605XTM/1070 ASSE 1070 CERTIFIED, AND SOAP DISPENSER- BRADLEY MODEL 6322
- CAST IRON CLEANOUT TEE WITH STAINLESS STEEL ROUND COVER. PLUG TO BE GAS AND WATER TIGHT.
- PROVIDE WITH TRANSFORMER MODEL NUMBER EL-154
- PROVIDE BOSCH #8738 704 443 0 HEATER WALL HANGING BRACKET.

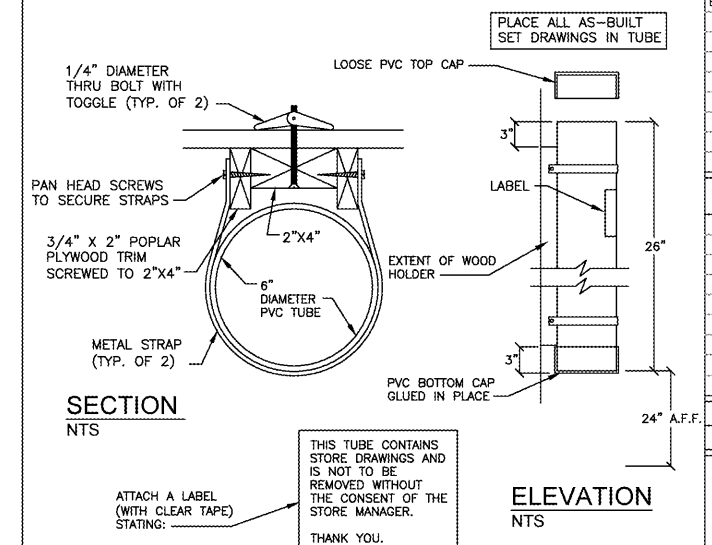
PLUMBING FIXTURE SCHEDULE

NOT TO SCALE
200



TANK WATER HEATER

NOT TO SCALE
300



DRAWING TUBE

NOT TO SCALE
102

REMODEL STORE

OLD NAVY

GAP INC.
STORE DEVELOPMENT
17 FOLSOM STREET
SAN FRANCISCO, CA 94105

REPS. I.D.: 00000131847
STORE NUMBER: 5724
STORE LOCATION: BUCKHEAD STATION
1 BUCKHEAD LOOP NE
ATLANTA, GA 30326

DESIGN TYPE: P3
GENERATION: 18012
PROTOTYPE DATE: 08/31/17
OPENING: 2018

CONSULTANT INFO:



M-Engineering

750 Brookside Blvd.
Westerville, Ohio 43081
Phone: 614.533.4533
Fax: 614.533.2222
www.mengineering-us.com

PROFESSIONAL STAMP:

ARCHITECT INFO:



ARCHITECT OF RECORD:
BOYD W. BAU
6700 ANTIPOCH PLAZA
SUITE 300
MEMPHIS, TN 38124
www.brrarch.com
TEL: 913-262-9095
FAX: 913-262-9044

ISSUE TYPE:

BID/PERMIT 01/05/18

REVISIONS:

DRAWN BY: RRD/JAH

A/E JOB NUMBER: 65013029/1742070

TITLE SHEET:
PLUMBING DETAILS

SHEET NUMBER:

P5-0

Order Plans @ www.LDLine.com