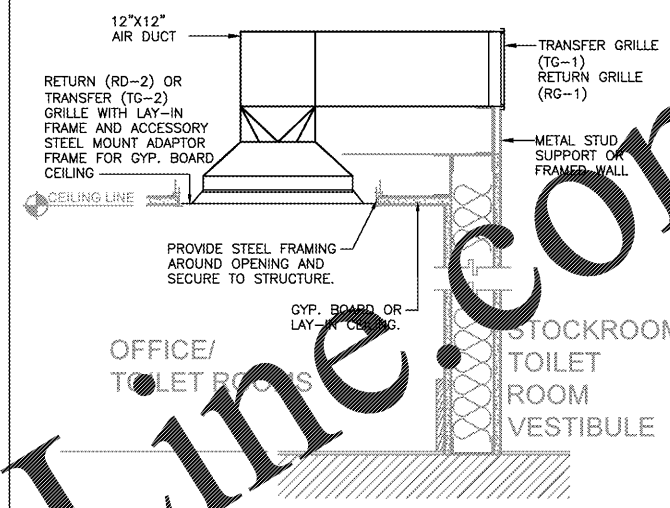


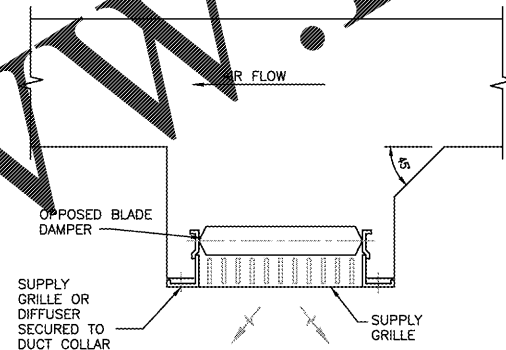
Order Plans

@

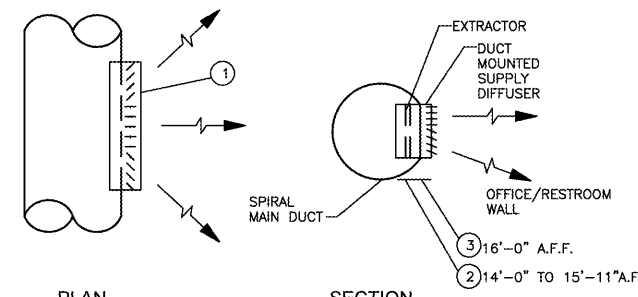
WWW.LDILine.com



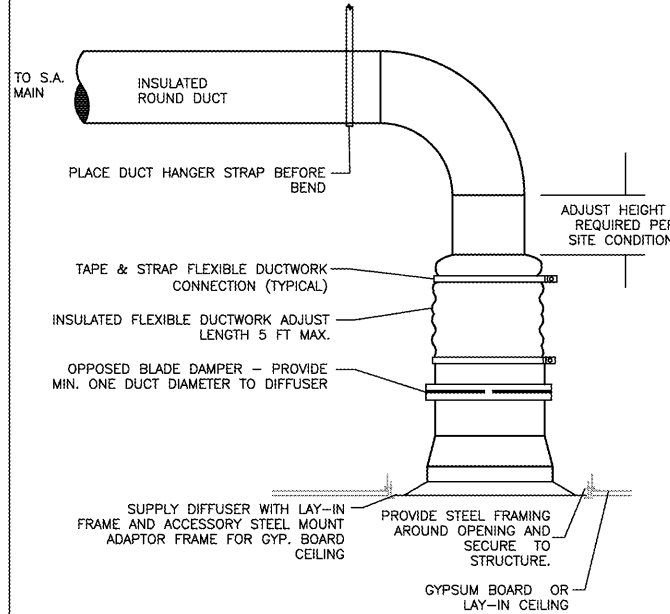
TRANSFER/RETURN AIR GRILLE DETAIL NOT TO SCALE 102



DUCT MOUNTED REGISTER DETAIL NOT TO SCALE 310



DUCT MOUNTED REGISTER DETAIL NOT TO SCALE 101



DIFFUSER MOUNTING DETAIL NOT TO SCALE 100

REMODEL STORE  
**OLD NAVY**  
 CAP, INC.  
 STORE DEVELOPMENT  
 1 FOLSOM STREET  
 SAN FRANCISCO, CA 94105  
 REPS. I.D.: 00000131847  
 STORE NUMBER: 5724  
 STORE LOCATION: BUCKHEAD STATION  
 1 BUCKHEAD LOOP NE  
 ATLANTA, GA 30326  
 DESIGN TYPE: P3  
 GENERATION: 18Q12  
 PROTOTYPE DATE: 08/31/17  
 OPENING: 2018

CONSULTANT INFO.  
  
**M-Engineering**  
 750 Brookside Blvd.  
 Westerville, Ohio 43081  
 phone: 614.533.4533  
 fax: 614.839.2222  
 www.mengineering-us.com

PROFESSIONAL STAMP:

ARCHITECT INFO.  
  
**brr**  
 ARCHITECT OF RECORD:  
 BOYD W. BAU  
 6700 ANTIPOCH PLAZA  
 SUITE 300  
 MERRIAM, KS 66204  
 www.brrarch.com  
 TEL: 913-262-9095  
 FAX: 913-262-9044

ISSUE TYPE:  
 BID/PERMIT 01/05/18

REVISIONS:

NO.	DESCRIPTION

DRAWN BY: RRD/JAH  
 A/E JOB NUMBER: 65013029/1742070  
 TITLE SHEET:  
**MECHANICAL DETAILS**  
 SHEET NUMBER:  
**M5-0**