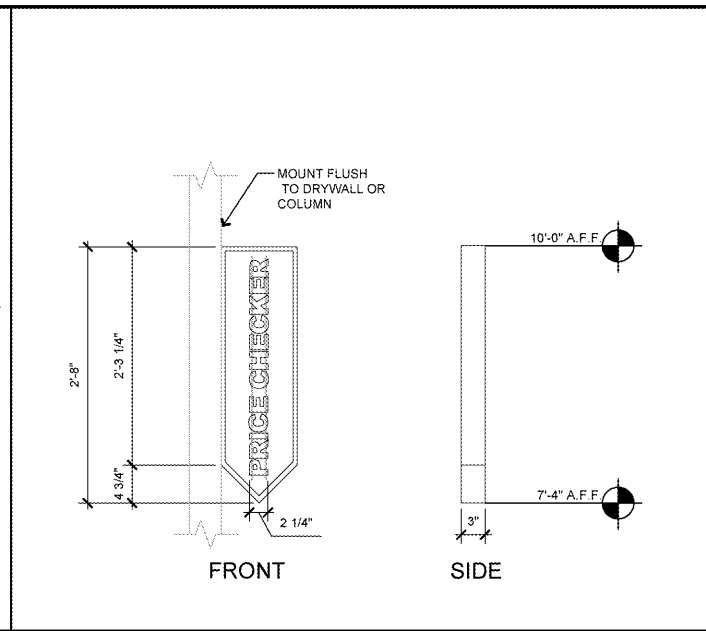
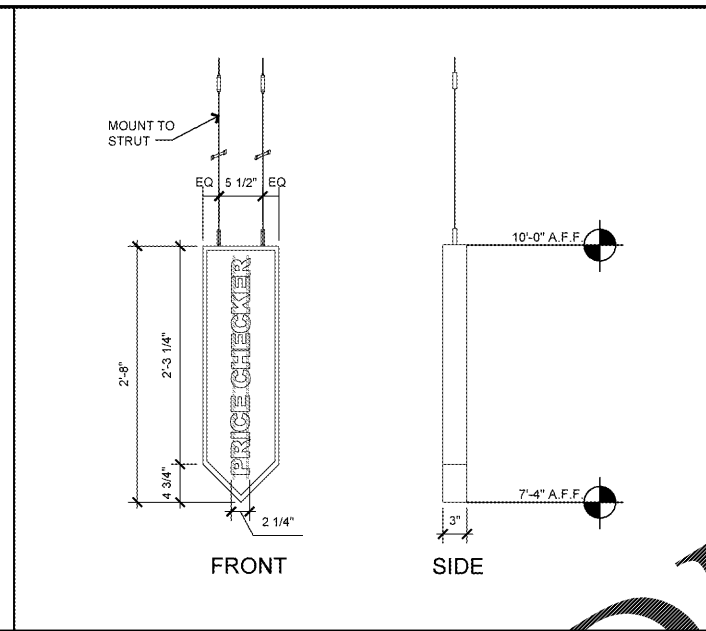


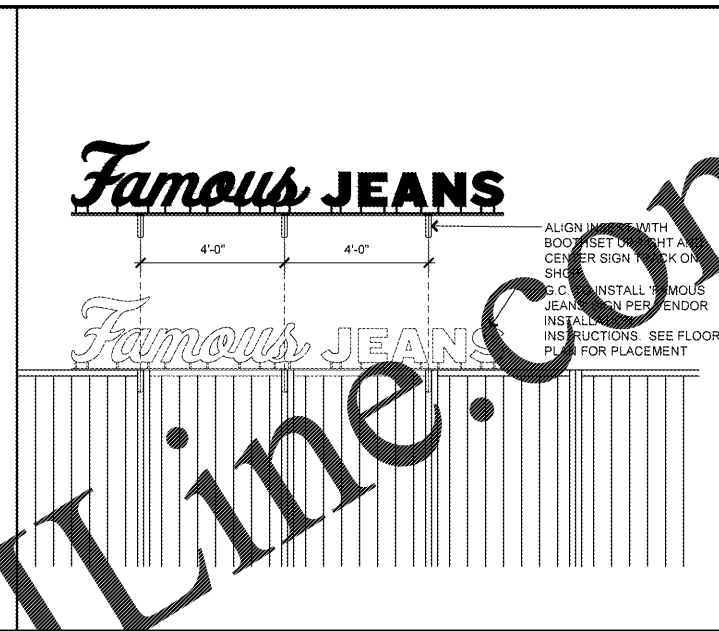
RESTROOM SIGN SCALE: 1" = 1'-0" 12



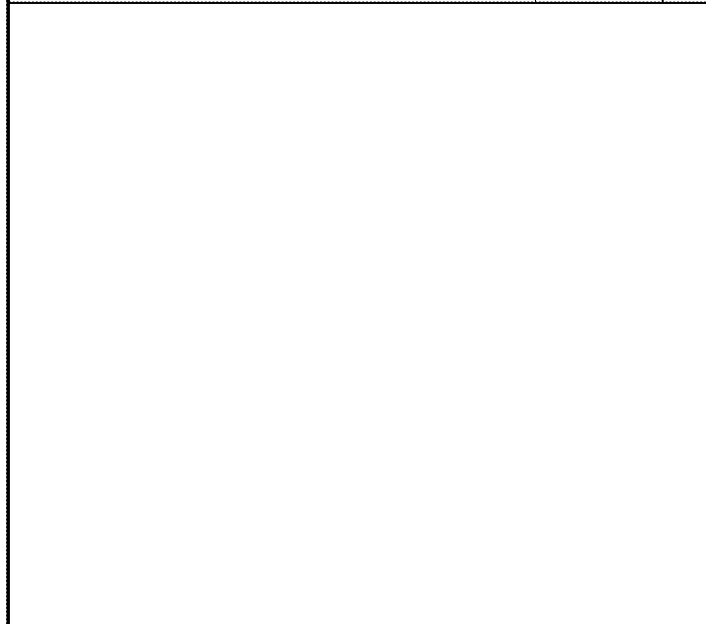
PRICE CHECKER - COLUMN OR W/M SCALE: 1" = 1'-0" 9



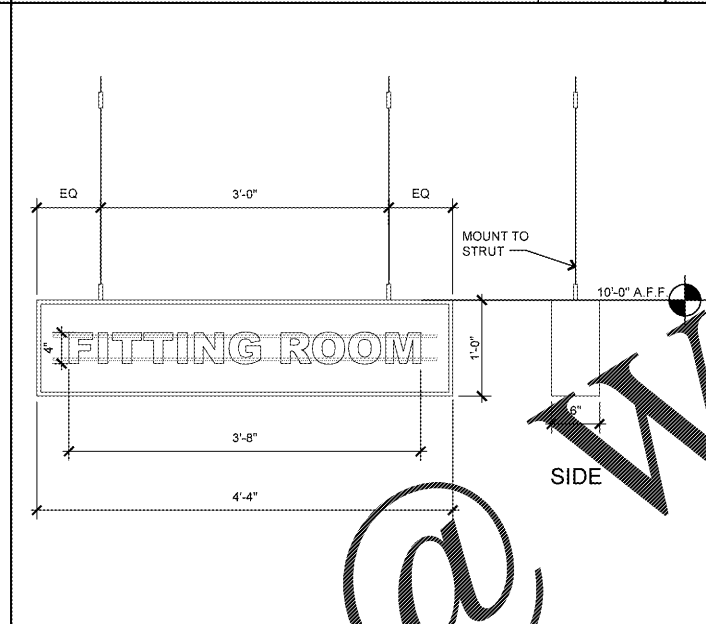
PRICE CHECKER SCALE: 1" = 1'-0" 9



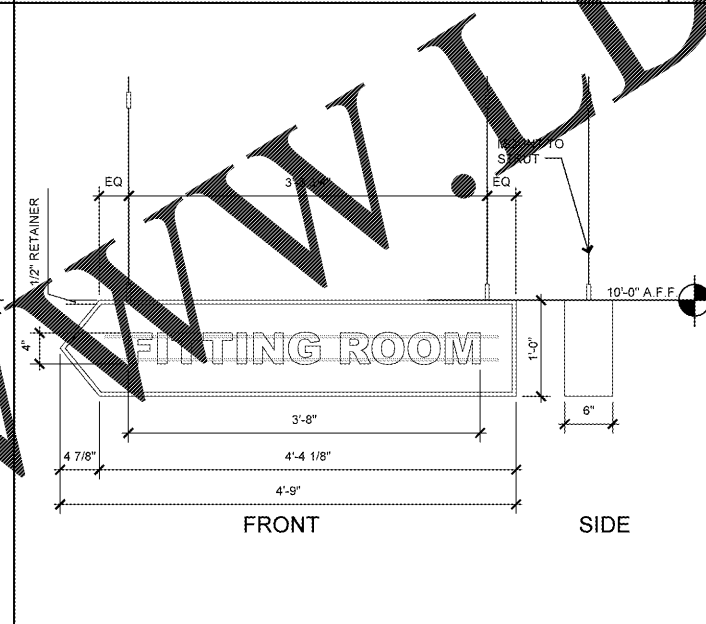
FAMOUS JEANS' SIGN SCALE: 3/8" = 1'-0" 3



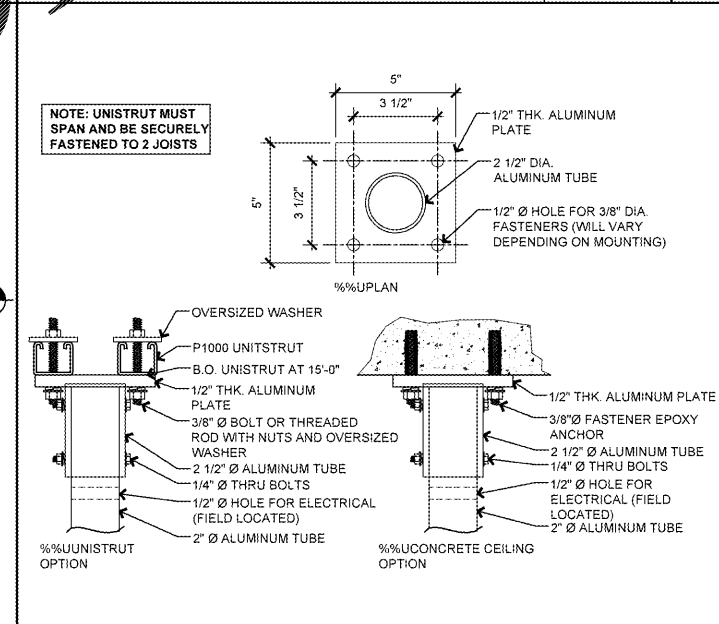
NOT USED SCALE: 1" = 1'-0" 11



FITTING ROOMS SIGN SCALE: 1" = 1'-0" 8



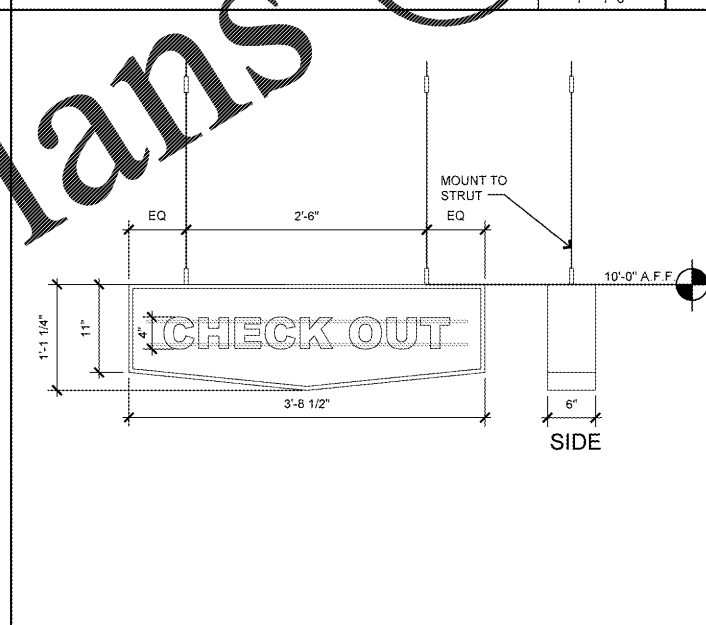
FITTING ROOMS ARROW SIGN SCALE: 1" = 1'-0" 5



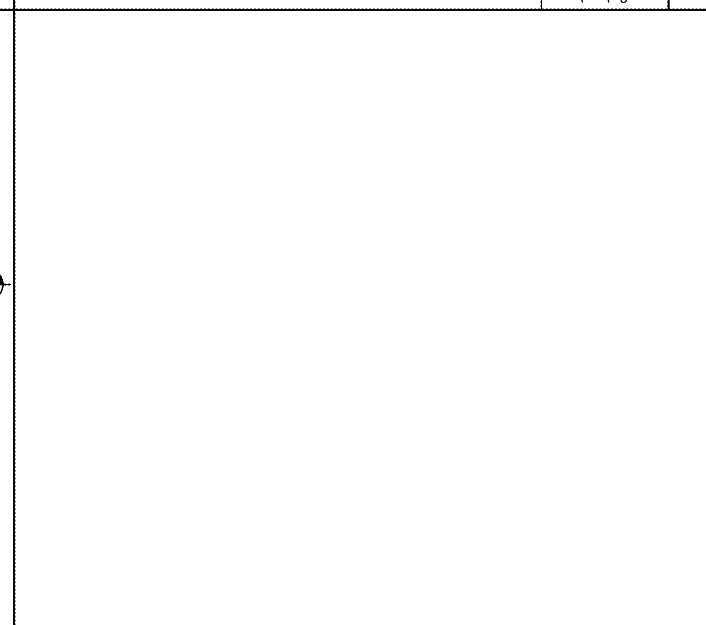
SIGN MOUNTING SCALE: 3" = 1'-0" 2



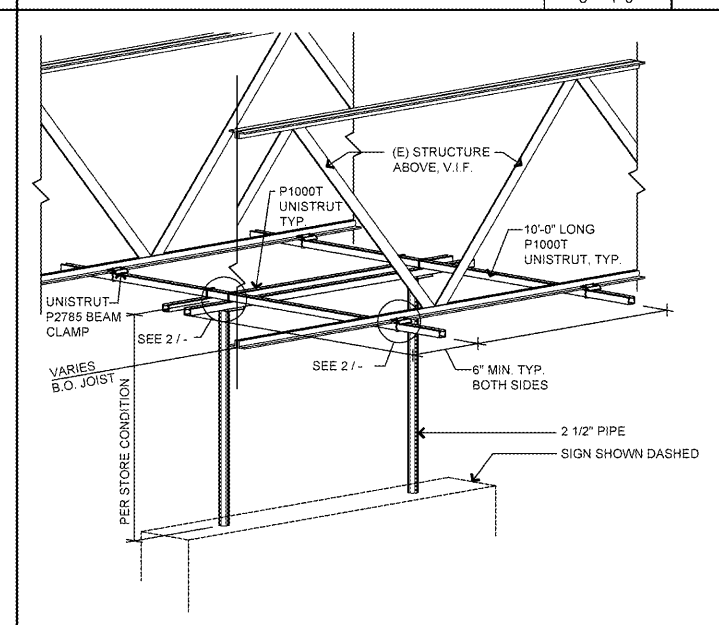
NOT USED SCALE: 1" = 1'-0" 10



'CHECK OUT' CASHWRAP SIGN SCALE: 1" = 1'-0" 7



NOT USED SCALE: 1/2" = 1'-0" 4



SIGN MOUNTING SUPPORT SCALE: 1/2" = 1'-0" 1

REMODEL STORE
OLD NAVY
 CAP, INC.
 STORE DEVELOPMENT
 FOLSOM STREET
 SAN FRANCISCO, CA 94105
 REPS. I.D.: 00000131847
 STORE NUMBER: 5724
 STORE LOCATION: BUCKHEAD STATION
 1 BUCKHEAD LOOP NE
 ATLANTA, GA 30326

DESIGN TYPE: P3
 GENERATION: 18Q12
 PROTOTYPE DATE: 08/31/17
 OPENING: 2018
 CONSULTANT INFO:
 PROFESSIONAL STAMP:
 ARCHITECT INFO:
brr
 ARCHITECT OF RECORD:
 BOYD W. RAU
 6709 ANTOCH PLAZA
 SUITE 300
 NEWBHAM, AL 36624
 www.brrarch.com
 TEL: 913-363-9095
 FAX: 913-262-9044

ISSUE TYPE:
 BID/PERMIT 01/05/18
 REVISIONS:
 DRAWN BY: CAR
 A/E JOB NUMBER: 65013029
 TITLE SHEET:
 INTERIOR SIGNAGE
 DETAILS
 SHEET NUMBER:
A11-1

Order Plans @